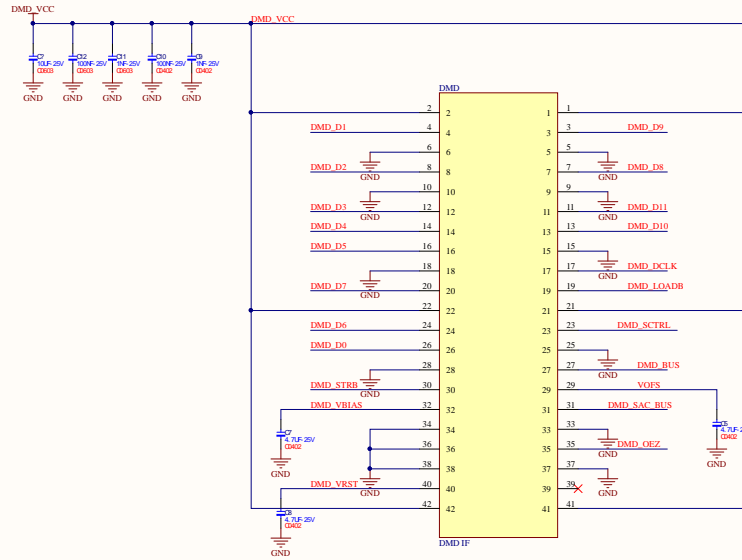
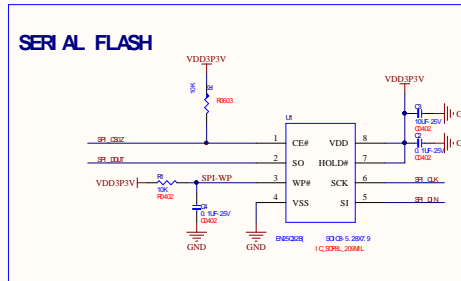
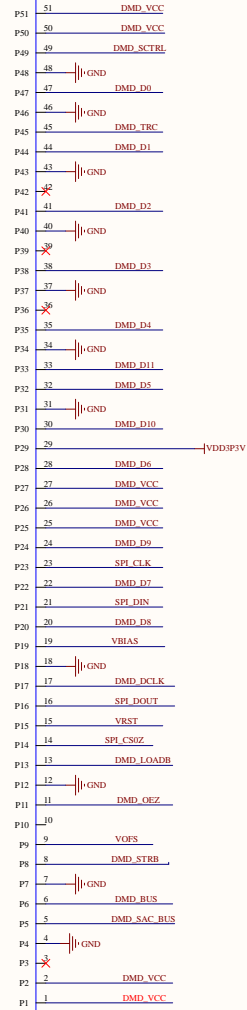


J1  
EM\_CONN\_51P\_FLEX



Title		
Size	Number	Revision
A2		
Date:	2018/9/14 14:39:11	Sheet of
File:	G:\my work\usb\SchDoc	Drawn By:

