

© COPYRIGHT 2001 TEXAS INSTRUMENTS UN- PUBLISHED, ALL RIGHTS RESERVED.

REVISIONS			
REV	DESCRIPTION	DATE	UPDATED BY
A	ECO 5387 - INITIAL RELEASE	01/10/18	DH
B	ECO 5608 - ITEM 4 REF P/Ns IN CONFIG TABLE WERE 2503563 & 2503727; ITEM 5 P/N WAS 2503322; ITEM 6 P/N WAS 2503555	01/12/05	DH

NOTES: UNLESS OTHERWISE SPECIFIED:

1 INSTALL MOUNTING HARDWARE WITH THE FOLLOWING TORQUE SPECIFICATION:

SCREW SIZE	TORQUE
M3	3.0±1.0 IN-LB (0.34±0.11 N-m)
#6-32	6.0±1.0 IN-LB (0.68±0.11 N-m)

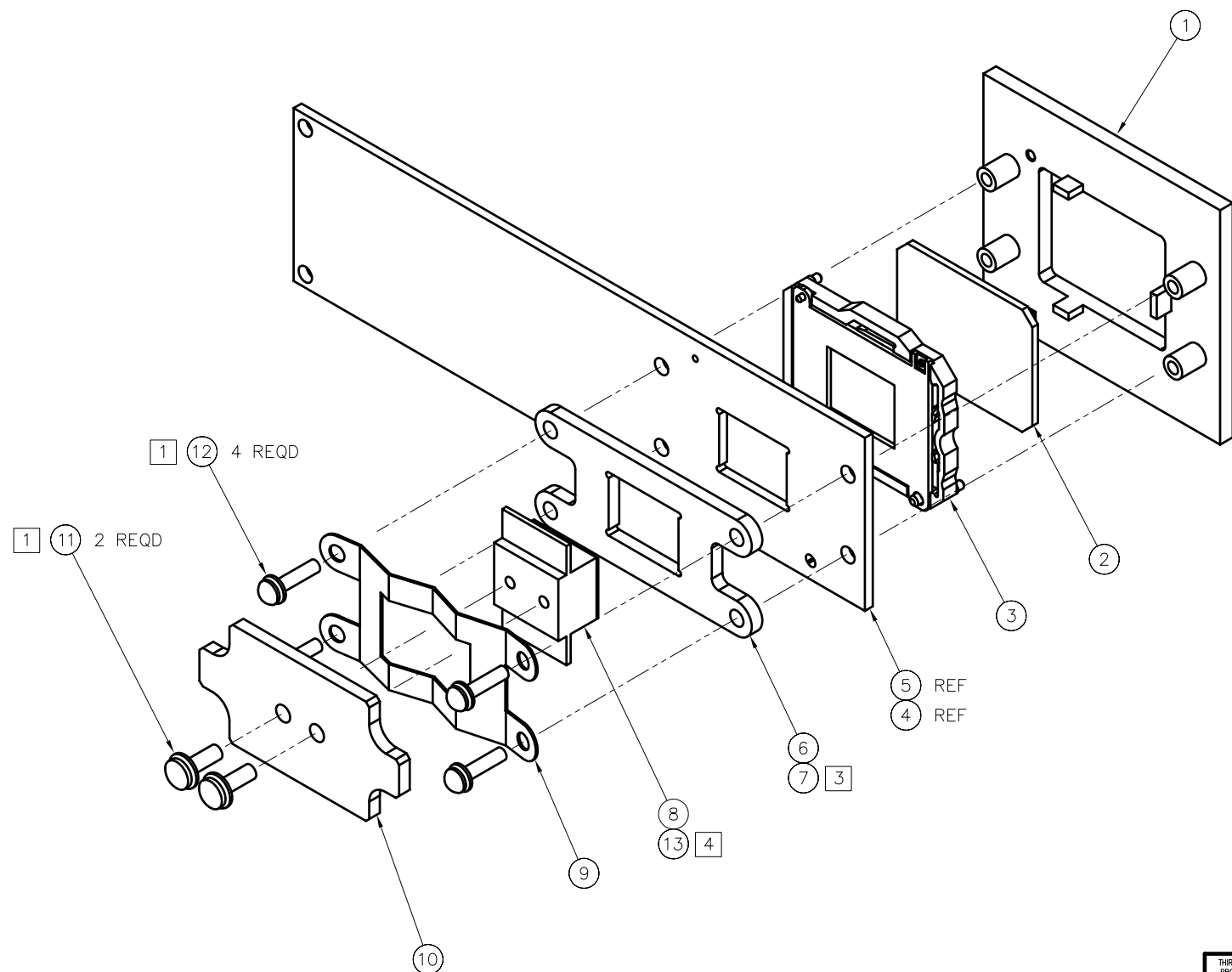
2. VENDOR:
 THERMAGON INCORPORATED
 4707 DETROIT AVENUE
 CLEVELAND, OHIO 44102
 PHONE: 888-426-9050
 WEB: <http://www.thermagon.com>

3 APPLY KAPTON INSULATOR TO SIDE OF BACKER PLATE MATING TO THE BOARD

4 APPLY THERMAL PAD TO SURFACE OF STUD MATING TO DMD

5 BENDING OF THE DMD SHOULD BE PREVENTED. TO PREVENT BENDING MOMENTS ON THE DMD THE GAP BETWEEN THE PWB AND MECHANICAL INTERFACE BOSSES (4X) SHOULD BE ZERO WHEN THE INTERPOSER ASSEMBLY IS IN ITS COMPRESSED STATE (CONTACTS COMPRESSED FLUSH WITH PLASTIC). A MINIMAL GAP IS ACHIEVED BY CONTROLLING THE NOMINAL DIMENSIONS AND TOLERANCES ON ALL PARTS THAT CONTRIBUTE TO THIS GAP. THE NOMINAL DIMENSIONS AND TOLERANCES OF THE PARTS IN THE REFERENCE DESIGN WILL ACHIEVE A NOMINAL GAP OF 0.13MM [.005 INCH]. TO AVOID OVER-STRESSING THE DMD IT IS RECOMMENDED THAT AN ASSEMBLY FIXTURE CLAMP THE PARTS TOGETHER WHILE THE MOUNTING SCREWS ARE TORQUED OR A TORQUE SEQUENCE AND PARTIAL TIGHTENING OF THE MOUNTING SCREWS BE DONE. EACH IMPLEMENTATION OF THIS REFERENCE DESIGN SHOULD BE VERIFIED TO ASSURE THE DMD LOAD REQUIREMENTS ARE MET.

CONFIGURATION TABLE			
DMD DESCRIPTION	DMD MECHANICAL ICD (ITEM 2)	INTERPOSER ASSEMBLY (ITEM 3)	DMD PWB INTERFACE (ITEM 4)
0.7 XGA DDR	2503606	2503000-1 OR 2503000-3	2503869
0.6 SVGA DDR	2503607	2503000-2 OR 2503000-1 OR 2503000-3	2503869
0.7 XGA LDVS	2503741	2503000-3	2503870



13	T-pli 220-A1-FG	THERMAL PAD, 16mm X 19.3mm	THERMAGON	2, 4
12		SCREW, M3 X 0.5, X 16mm, PAN HEAD		1
11		SCREW, #6-32 UNC X .38", PAN HEAD		1
10	2501930-1	HEAT SPREADER PLATE, MOCK		
9	2503731-1	SPRING, STUD RETAINER		
8	2503734-1	STUD, MECHANICAL ATTACH		
7	2503644-1	KAPTON INSULATOR, BACKER PLATE		3
6	2503868-1	BACKER PLATE		
5	2503867-1	MOCK PWB		
4	SEE CONFIGURATION TABLE	DMD PWB INTERFACE		
3	SEE CONFIGURATION TABLE	INTERPOSER ASSEMBLY		
2	SEE CONFIGURATION TABLE	DMD		
1	2503321-1	DMD MECHANICAL INTERFACE		

ITEM NO	PART OR IDENTIFYING NUMBER	NOMENCLATURE OR DESCRIPTION	NOTES
---------	----------------------------	-----------------------------	-------

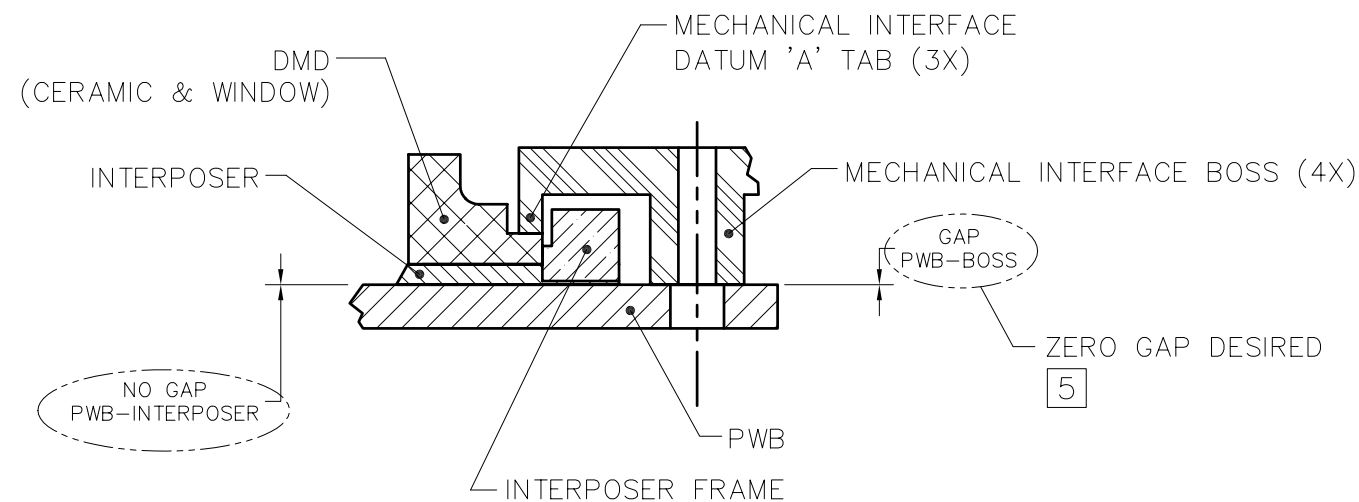
UNLESS OTHERWISE SPECIFIED		DATE 00/10/18		 TEXAS INSTRUMENTS Dallas, Texas	
• DIMENSIONS ARE IN MILLIMETERS • TOLERANCES: ANGLES ± 1° 2 PLACE DECIMALS ± 0.25 1 PLACE DECIMALS ± 0.50		DWG HOLAMON ENGR J. MCKINLEY 01/10/19 GA J. KNOX 01/10/24 T. DOTY 01/10/24 APVD J. ATCHISON 01/10/23			
• DIMENSIONAL LIMITS APPLY BEFORE PROCESSES • INTERPRET DIMENSIONS IN ACCORDANCE WITH ASME Y14.5M-1994 • REMOVE ALL BURRS AND SHARP EDGES • PARENTHETICAL INFO FOR REF ONLY		NONE 0314GP NEXT ASSY USED ON APPLICATION	SCALE 1/1	DRAWING NO 2503737	REV B
		THIRD ANGLE PROJECTION		SHEET 1 OF 2	

TECHNICAL INFORMATION USAGE

BEFORE USING TECHNICAL INFORMATION, THE USER SHOULD CAREFULLY READ THE FOLLOWING TERMS.

The term "Technical Information" includes reference designs, drawings, specifications, and other information relating to TI digital imaging products or applications that the user will refer to in designing the user's product, whether contained herein or provided separately in any format or via any medium. TI is providing Technical Information for the convenience of purchasers of digital imaging products ("Users"), and will not accept any responsibility or liability arising from providing the Technical Information or its use. Any use or reliance on Technical Information is strictly the responsibility of the User.

- No Warranty. THE TECHNICAL INFORMATION IS PROVIDED "AS IS". TI MAKES NO WARRANTIES OR REPRESENTATIONS, EXPRESS, IMPLIED OR STATUTORY, INCLUDING LACK OF VIRUSES, ACCURACY, OR COMPLETENESS. TI DISCLAIMS ANY WARRANTY OF TITLE, ANY IMPLIED WARRANTIES OF MERCHANTABILITY, FITNESS FOR A PARTICULAR PURPOSE, QUIET ENJOYMENT, QUIET POSSESSION, AND NON-INFRINGEMENT OF ANY THIRD PARTY INTELLECTUAL PROPERTY RIGHTS WITH REGARD TO THE TECHNICAL INFORMATION OR THE USE OF THOSE MATERIALS.
- Warranty for Products Not Affected. The foregoing exclusion and disclaimer of warranty does not affect or diminish any warranty rights with regard to digital imaging products. Such rights are governed exclusively by the terms of a written and signed purchase agreement with TI.
- Limitations and Exclusion of Damages. IN NO EVENT SHALL TI BE LIABLE FOR ANY ACTUAL, SPECIAL, INCIDENTAL, CONSEQUENTIAL OR INDIRECT DAMAGES, HOWEVER CAUSED, ON ANY THEORY OF LIABILITY AND WHETHER OR NOT TI HAS BEEN ADVISED OF THE POSSIBILITY OF SUCH DAMAGES, ARISING IN ANY WAY OUT OF THE TECHNICAL INFORMATION OR THE USE OF THE TECHNICAL INFORMATION.
- No Engineering Services. User is fully responsible for all design decisions and engineering with regard to its products, including decisions relating to application of digital imaging products. By providing Technical Information TI does not intend to offer or provide engineering services or advice concerning User's design. If User desires engineering services, then User should rely on its retained employees and consultants and/or procure engineering services from a licensed professional engineer ("LPE").
- Compliance with Export Control Laws. Unless prior authorization is obtained from the U.S. Department of Commerce, User may not export, re-export, or release, directly or indirectly, any Technical Information, or export, directly or indirectly, any direct product of such Technical Information to any destination or country to which the export, re-export or release of the Technical Information or direct product is prohibited by the Export Administration Regulations of the U.S. Department of Commerce ("EAR").



5 SECTION VIEW PWB-INTERFACE BOSS GAP