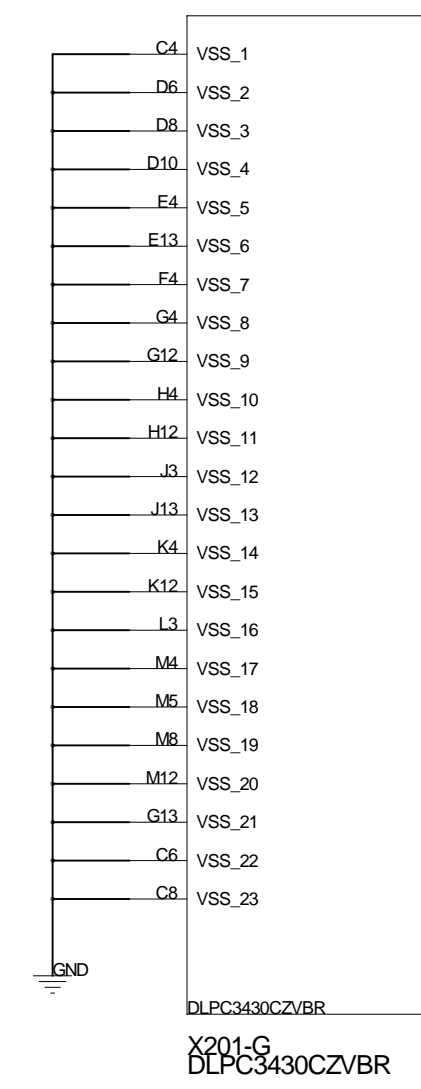
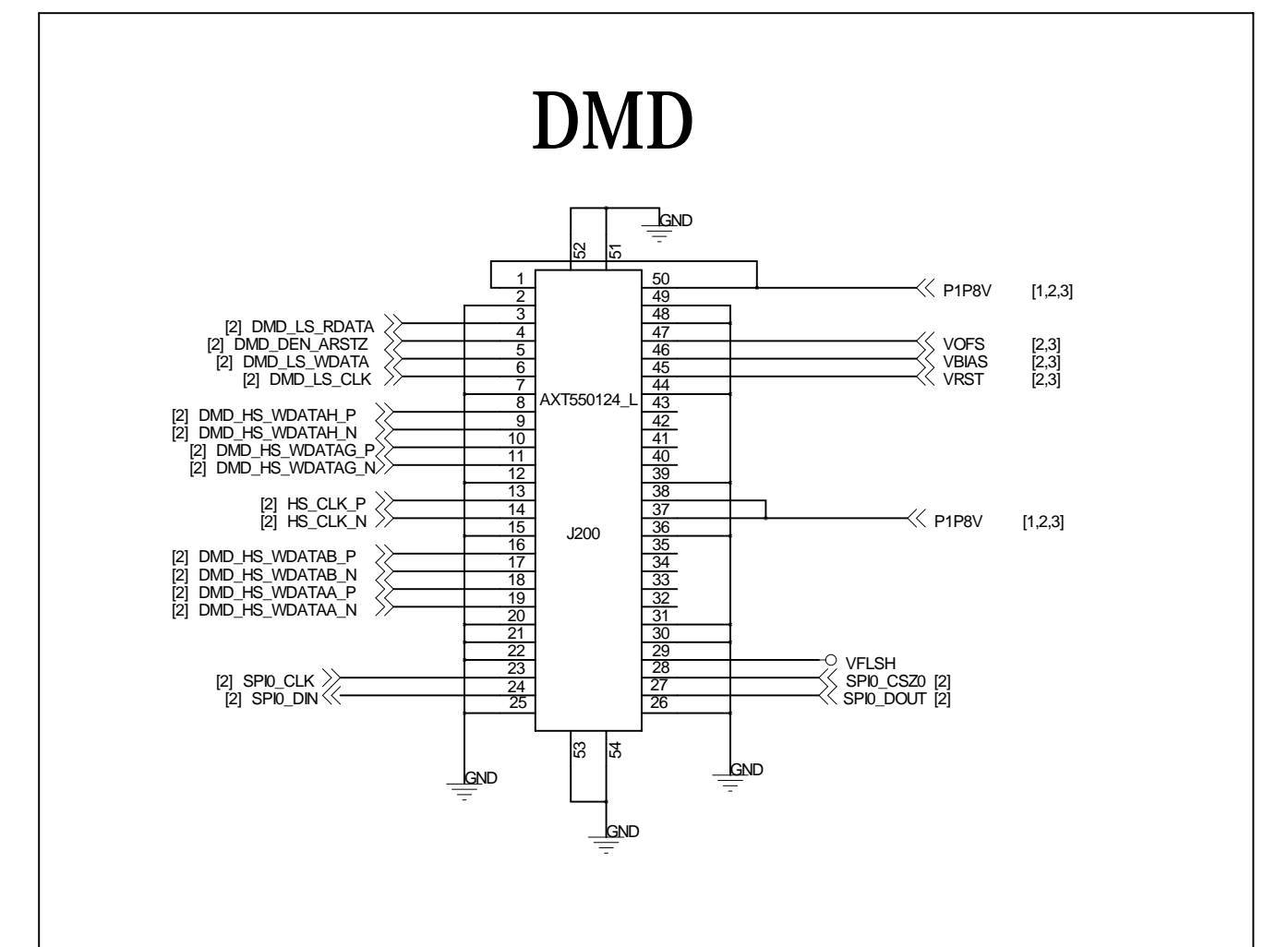
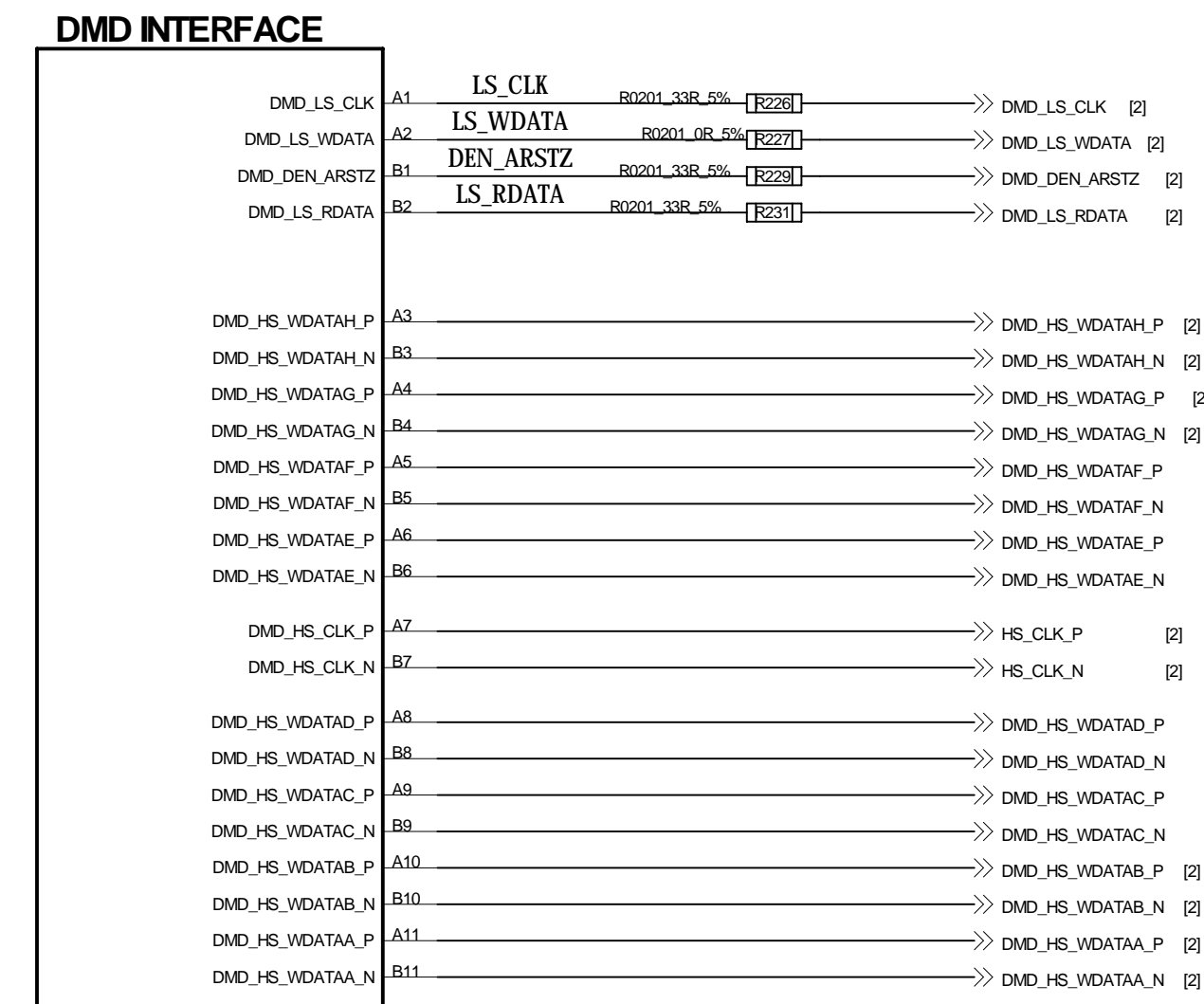
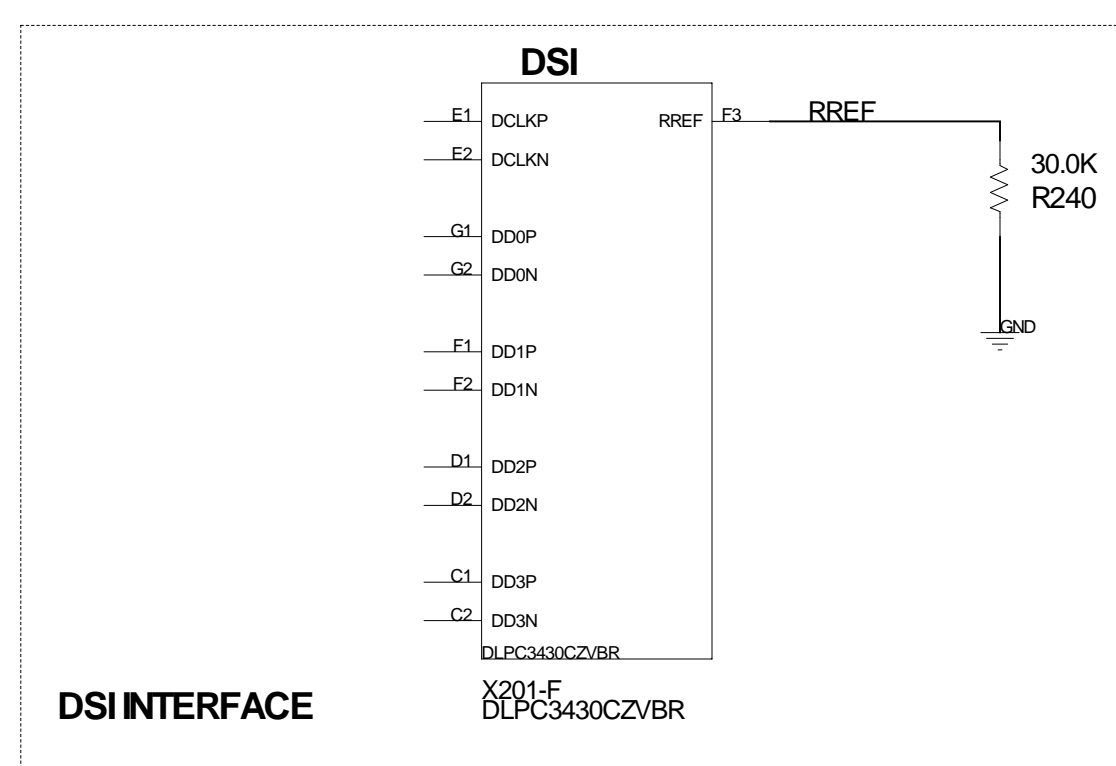
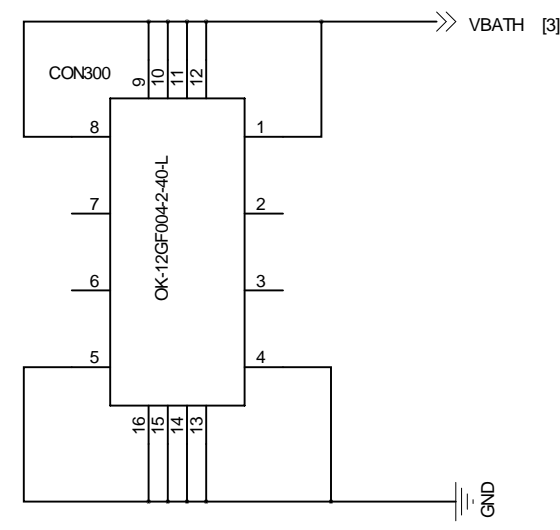
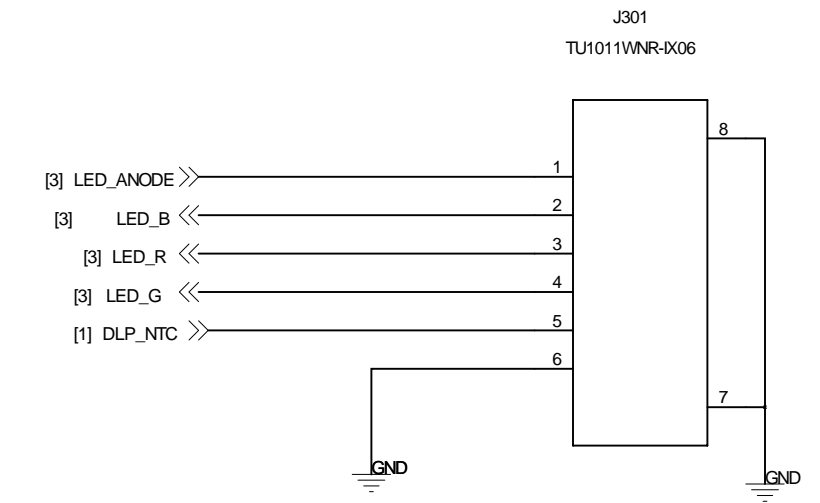
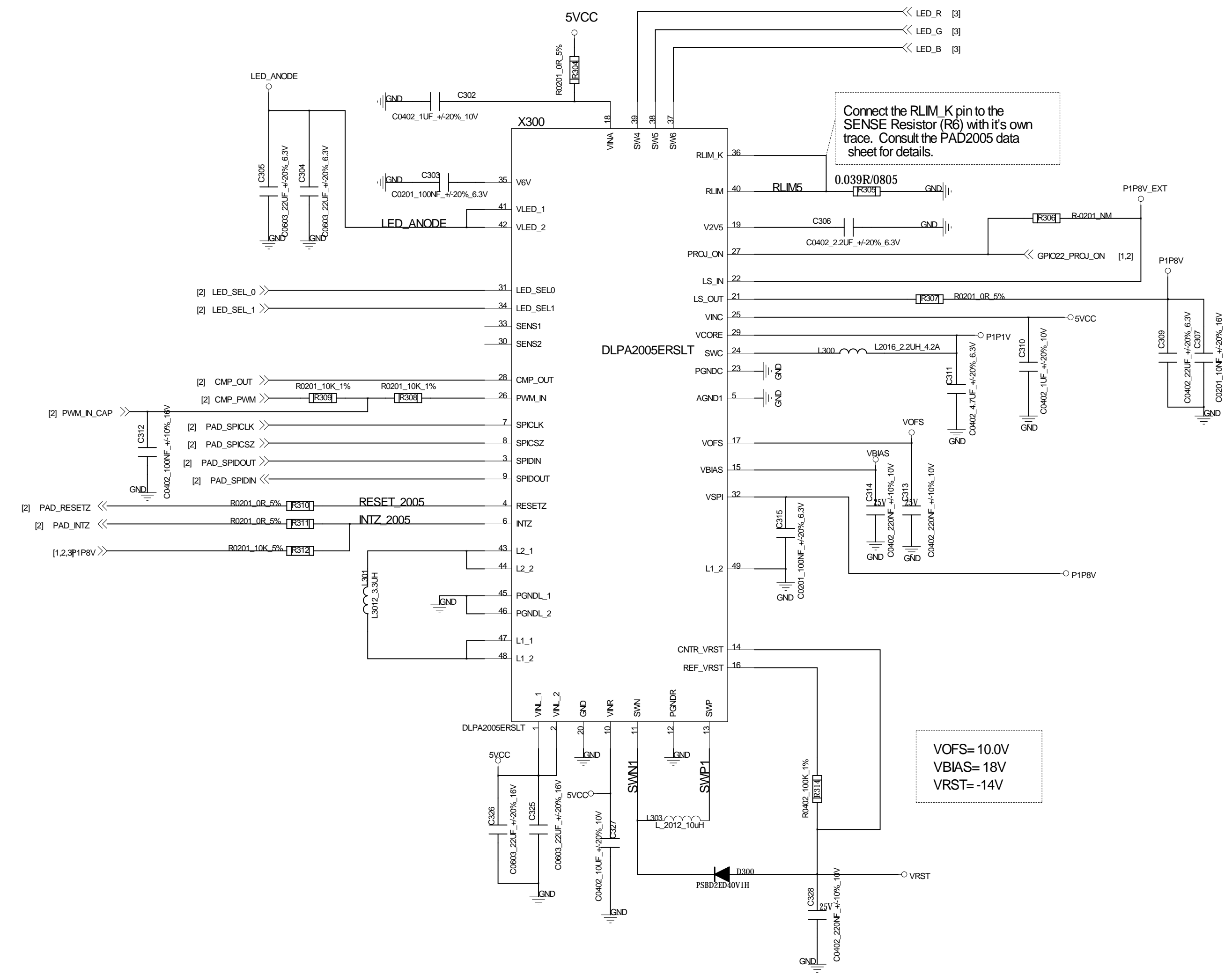
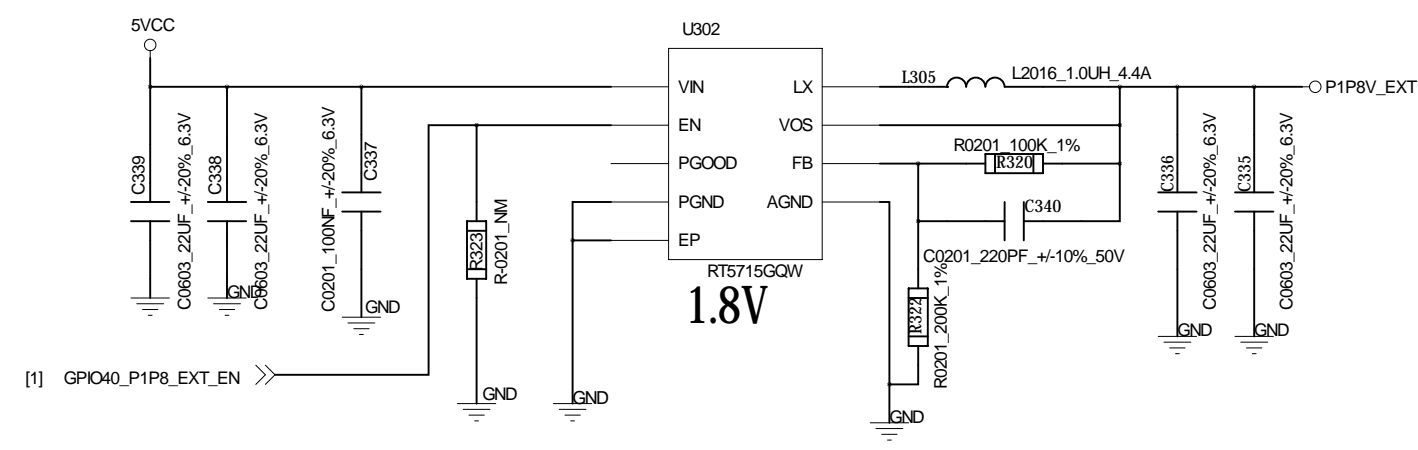
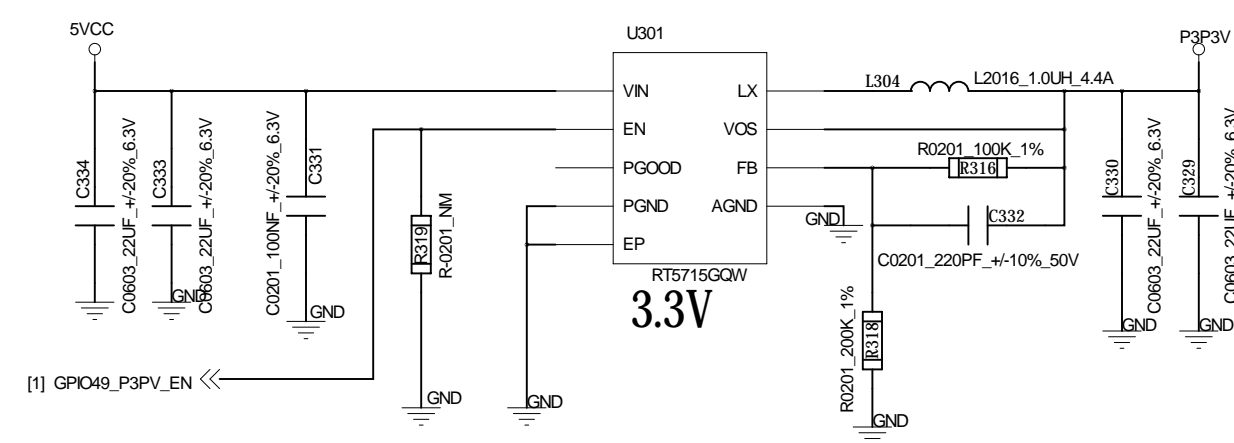
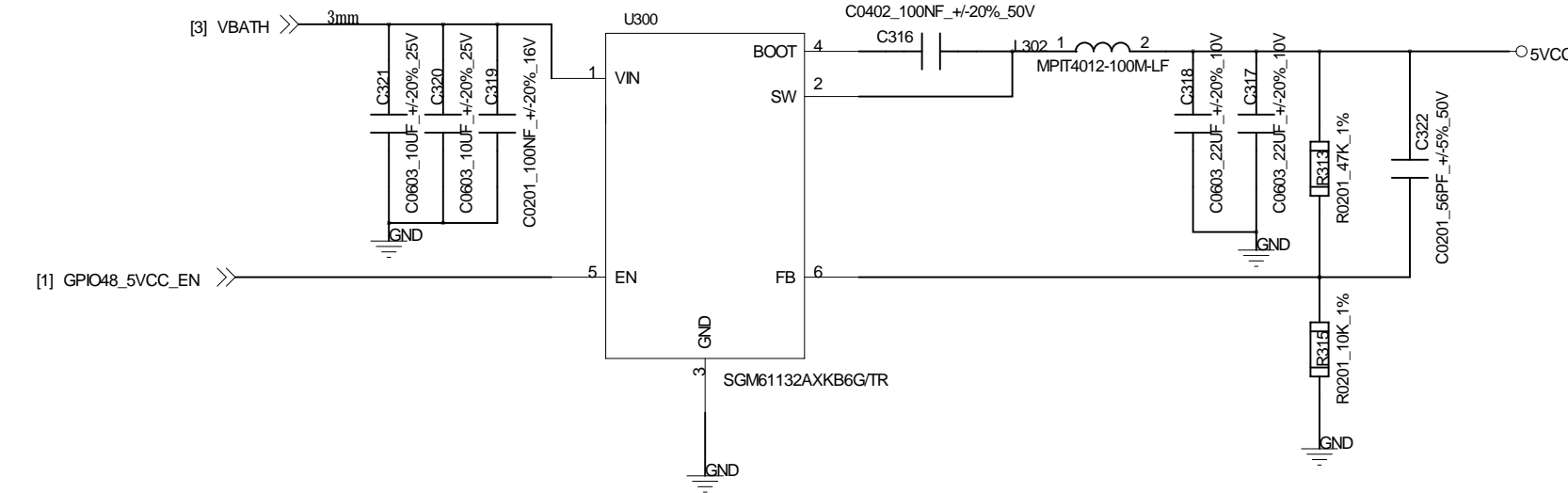


Used only for DVT - VFLSH should be selected by FLASH card that mates to J_FLASH.





EXTERNAL POWER INPUT (2A MAX)



FAN

