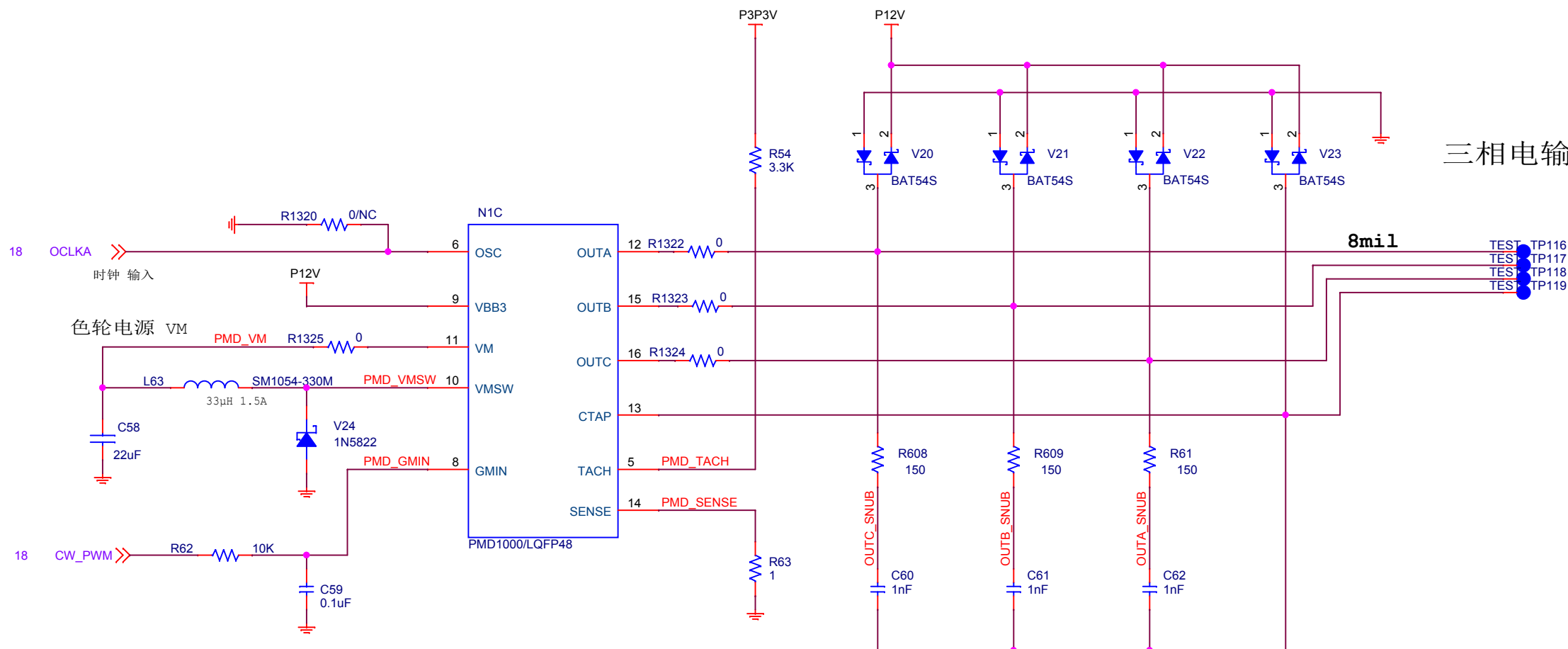


- P12V — TP1
- P5V — TP2
- P3P3V — TP3
- P1P8V — TP4
- A1P8V — TP5
- P1P1V — TP6

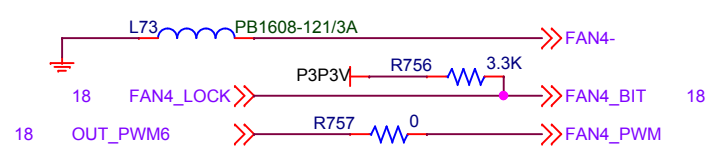
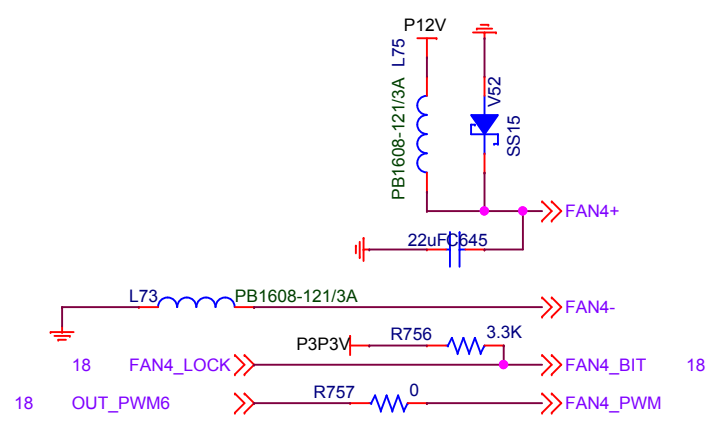
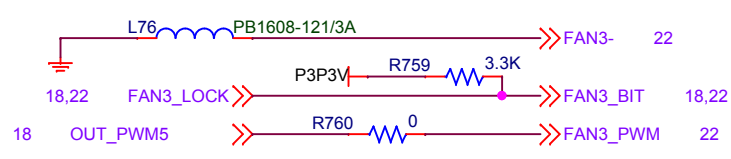
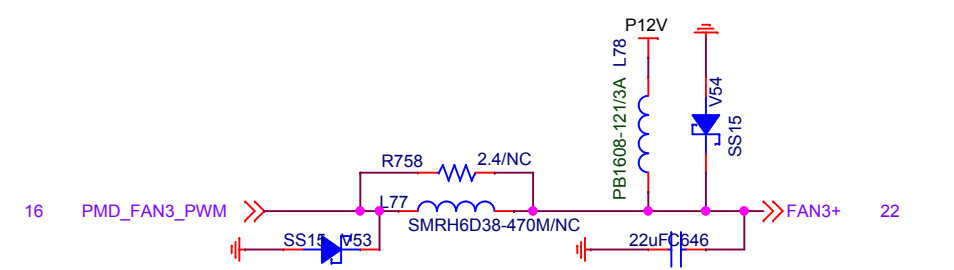
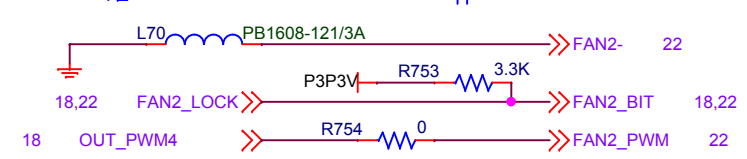
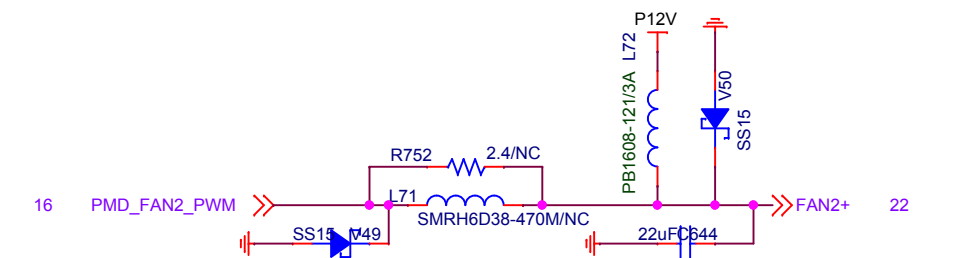
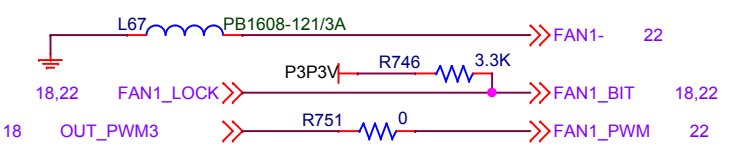
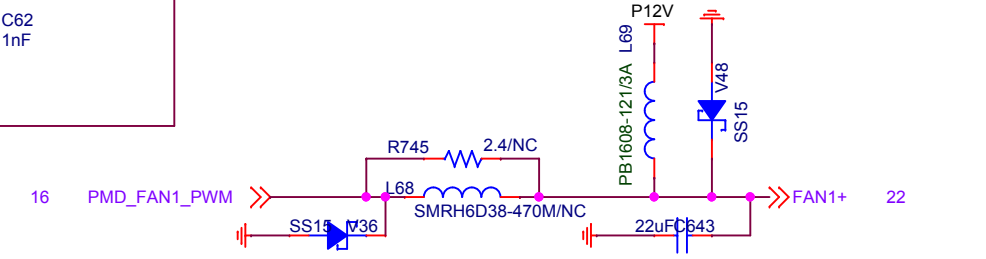
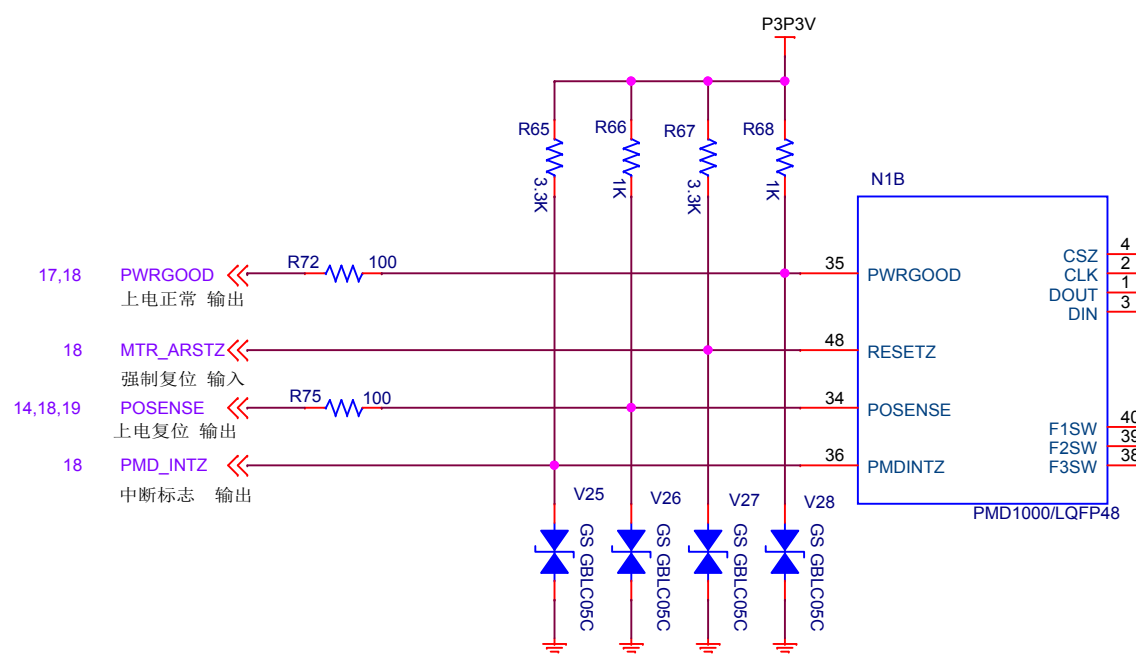
Title		
<Title>		
Size	Document Number	Rev
A3	<Doc>	<RevCode>
Date:	Friday, November 13, 2020	Sheet 15 of 22



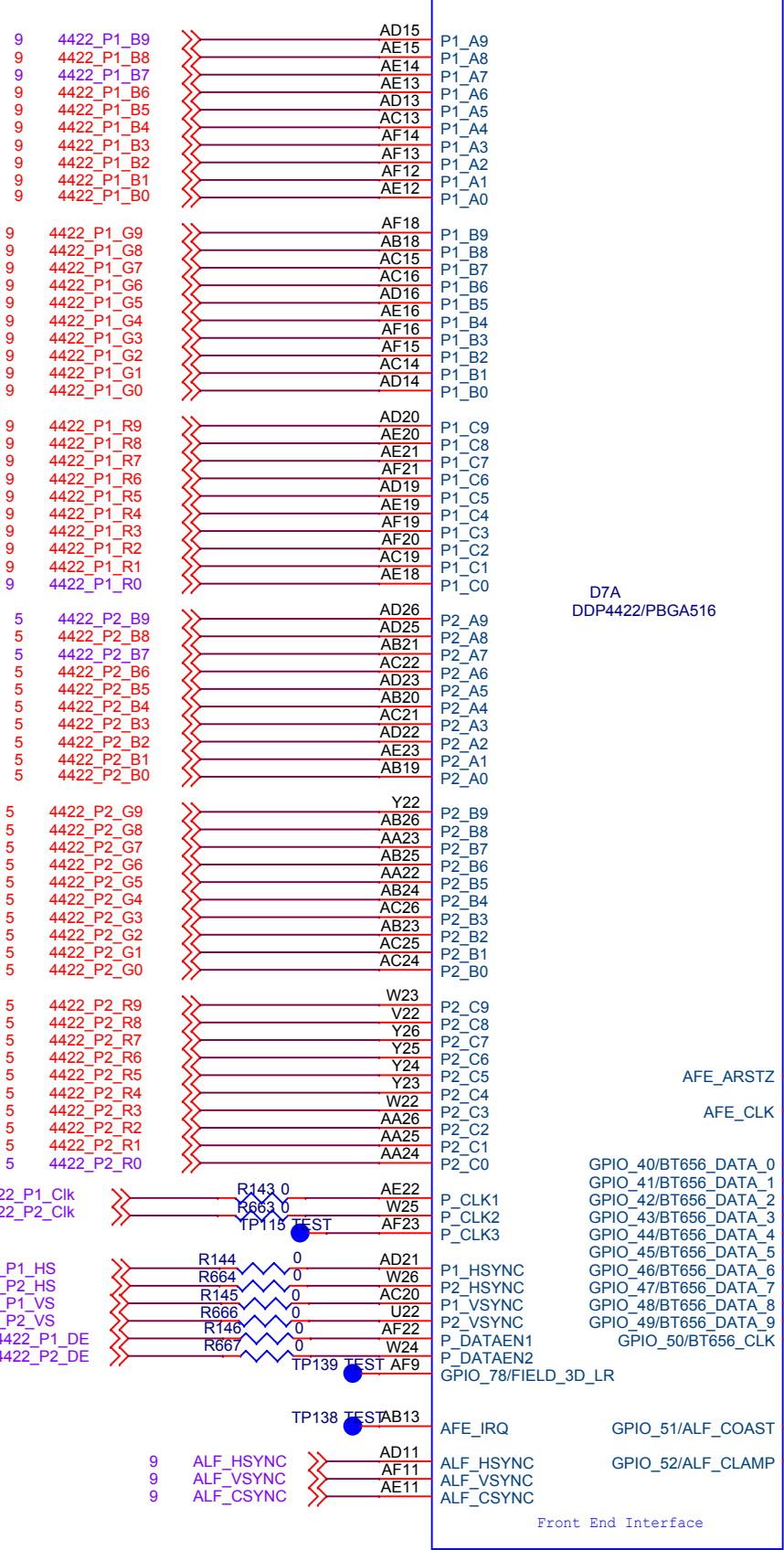
三相电输出 控制色轮

8mil

- TEST TP116
- TEST TP117
- TEST TP118
- TEST TP119

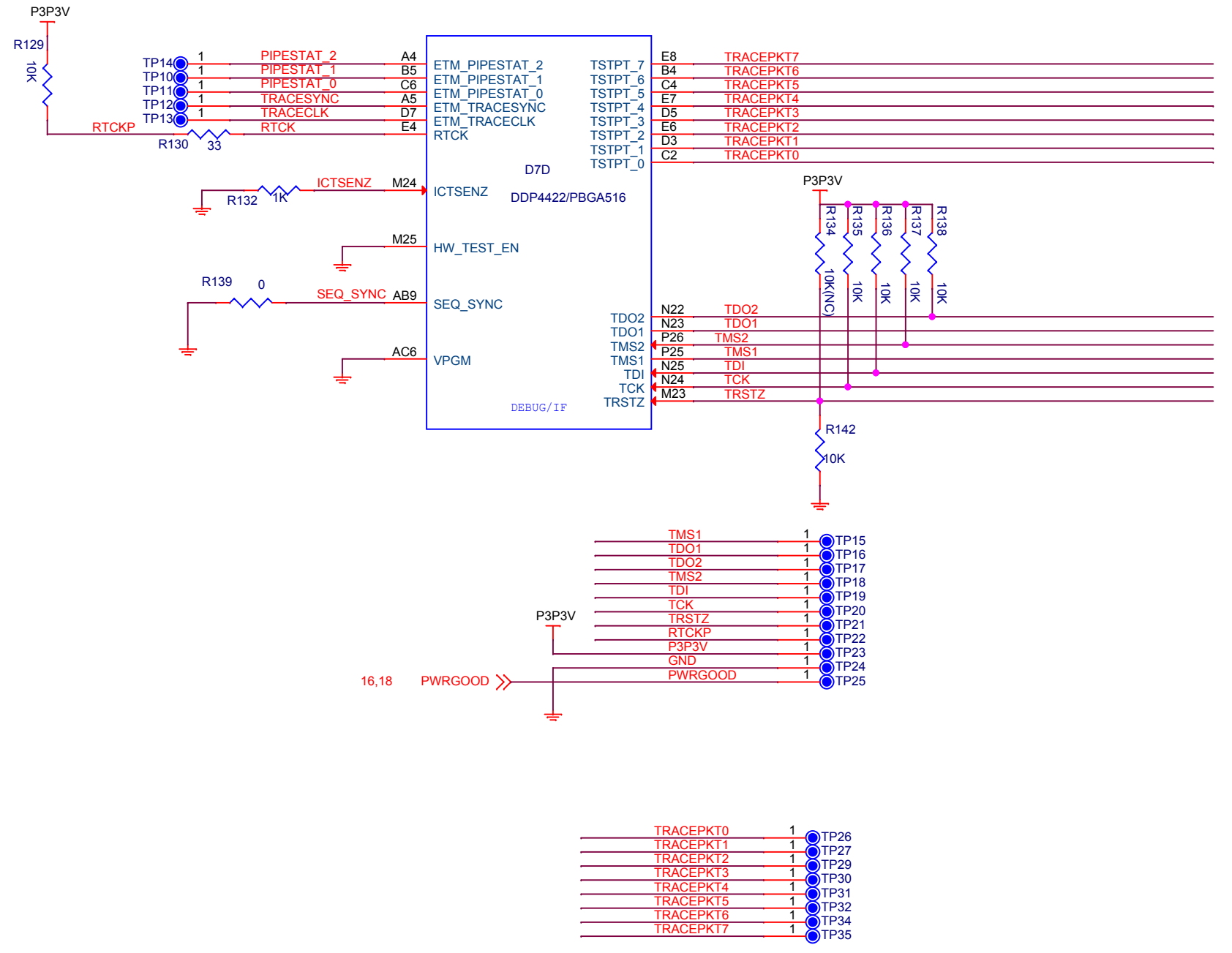


Title		<Title>
Size	Document Number	Rev
A3	<Doc>	<RevC>
Date:	Friday, January 15, 2021	Sheet 16 of 22



D7A  
DDP4422/PBGA516

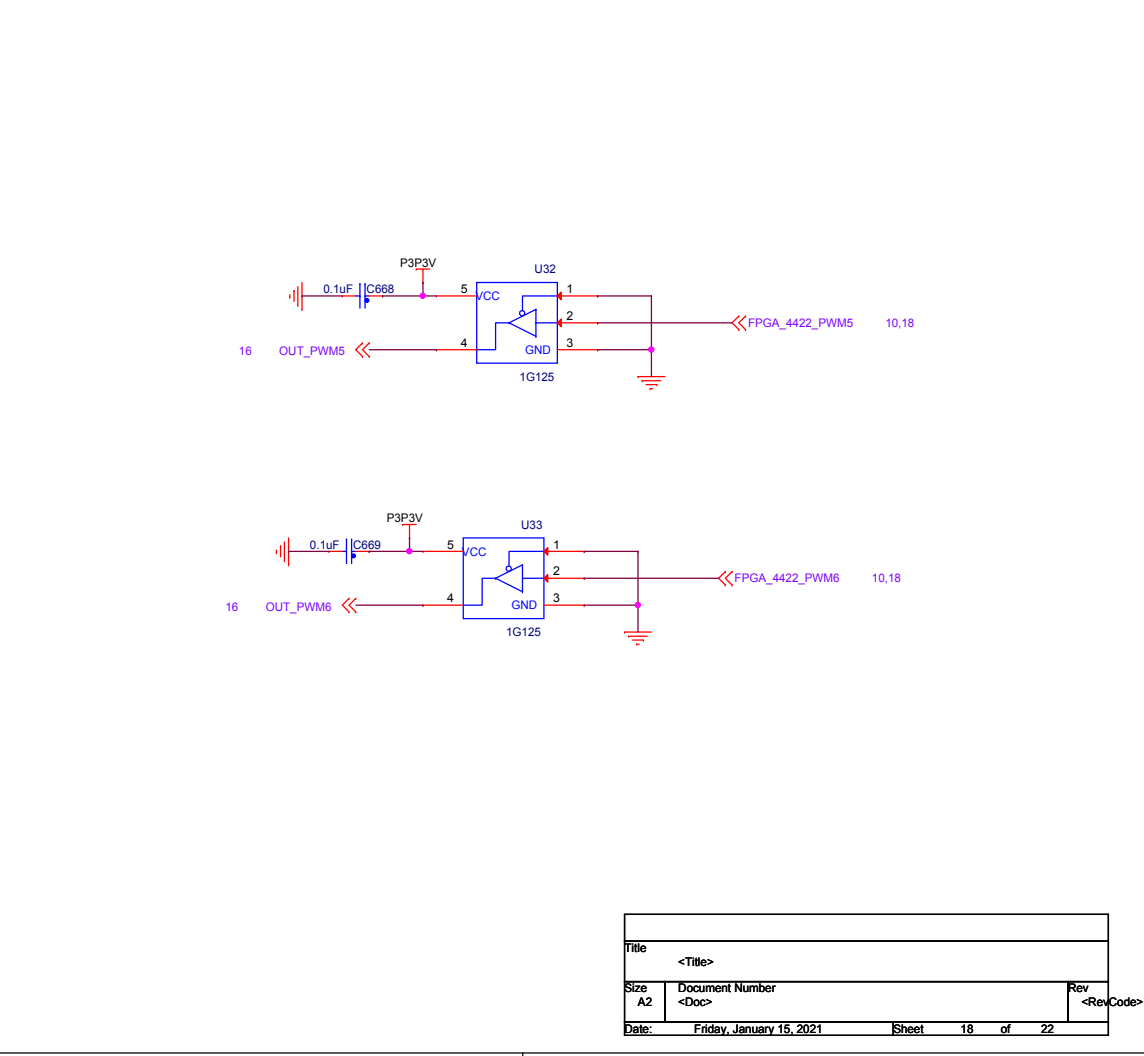
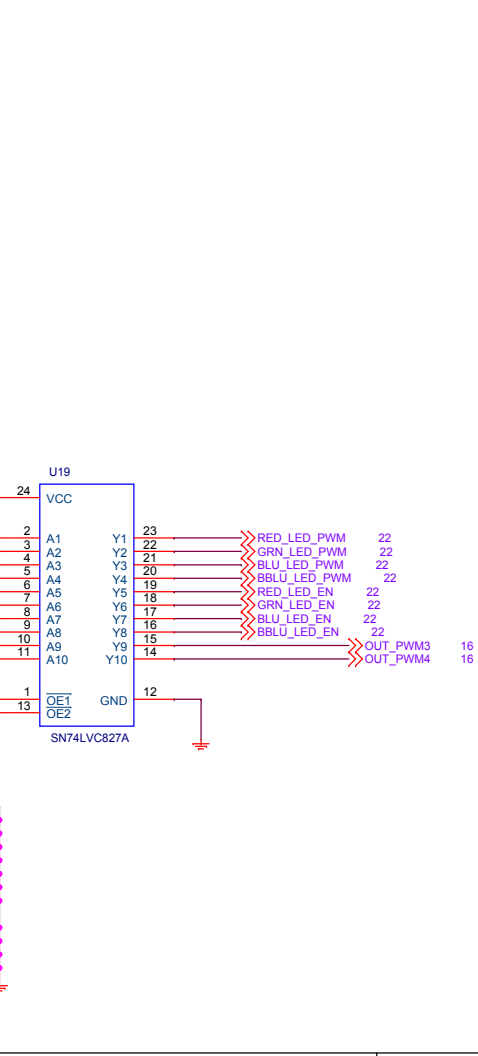
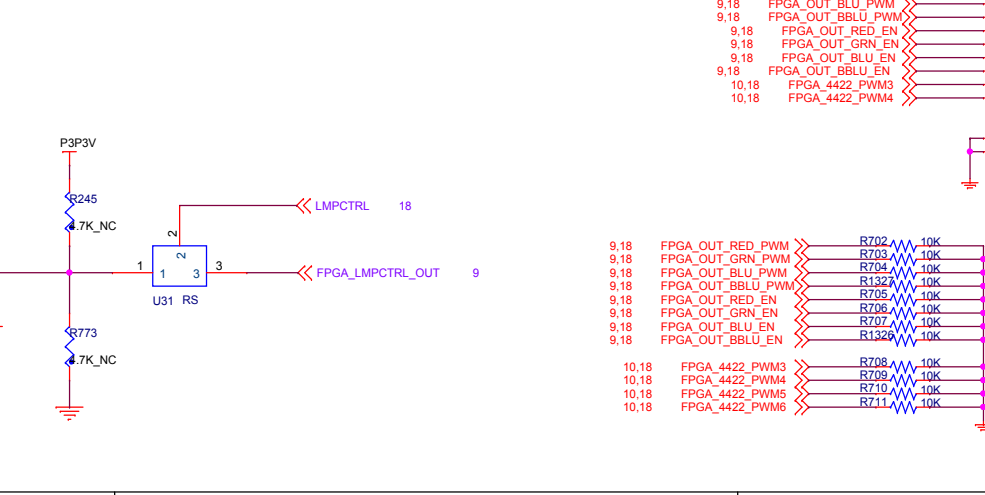
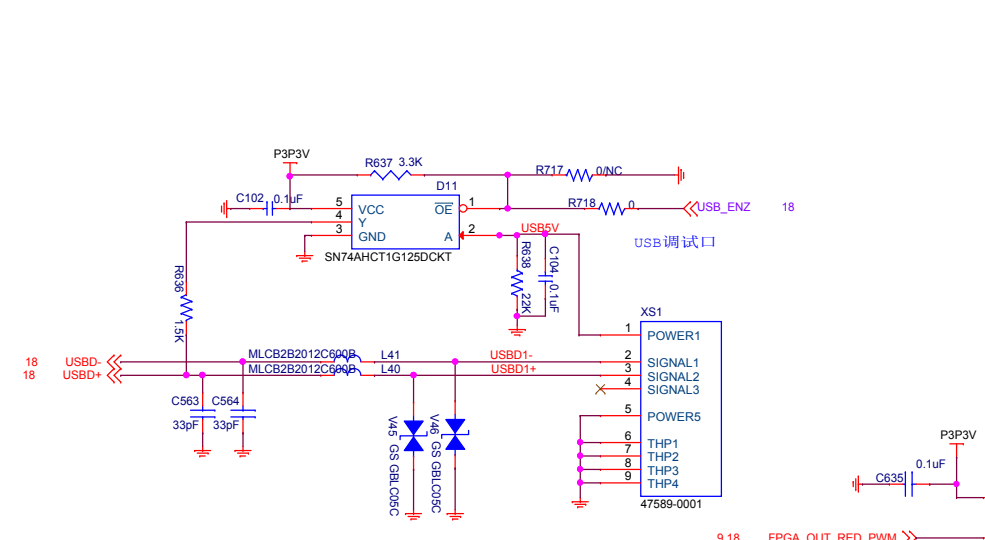
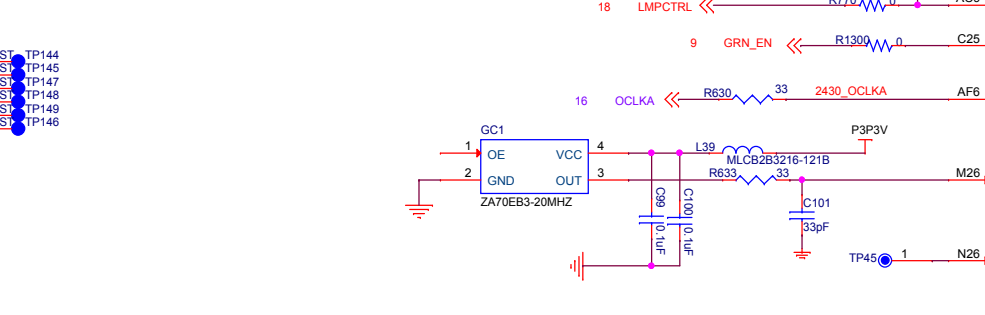
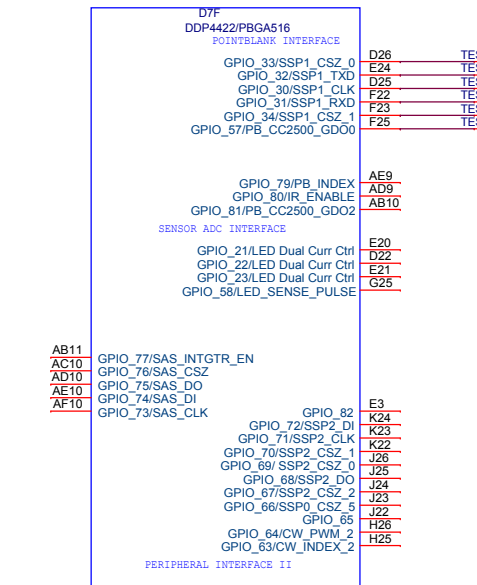
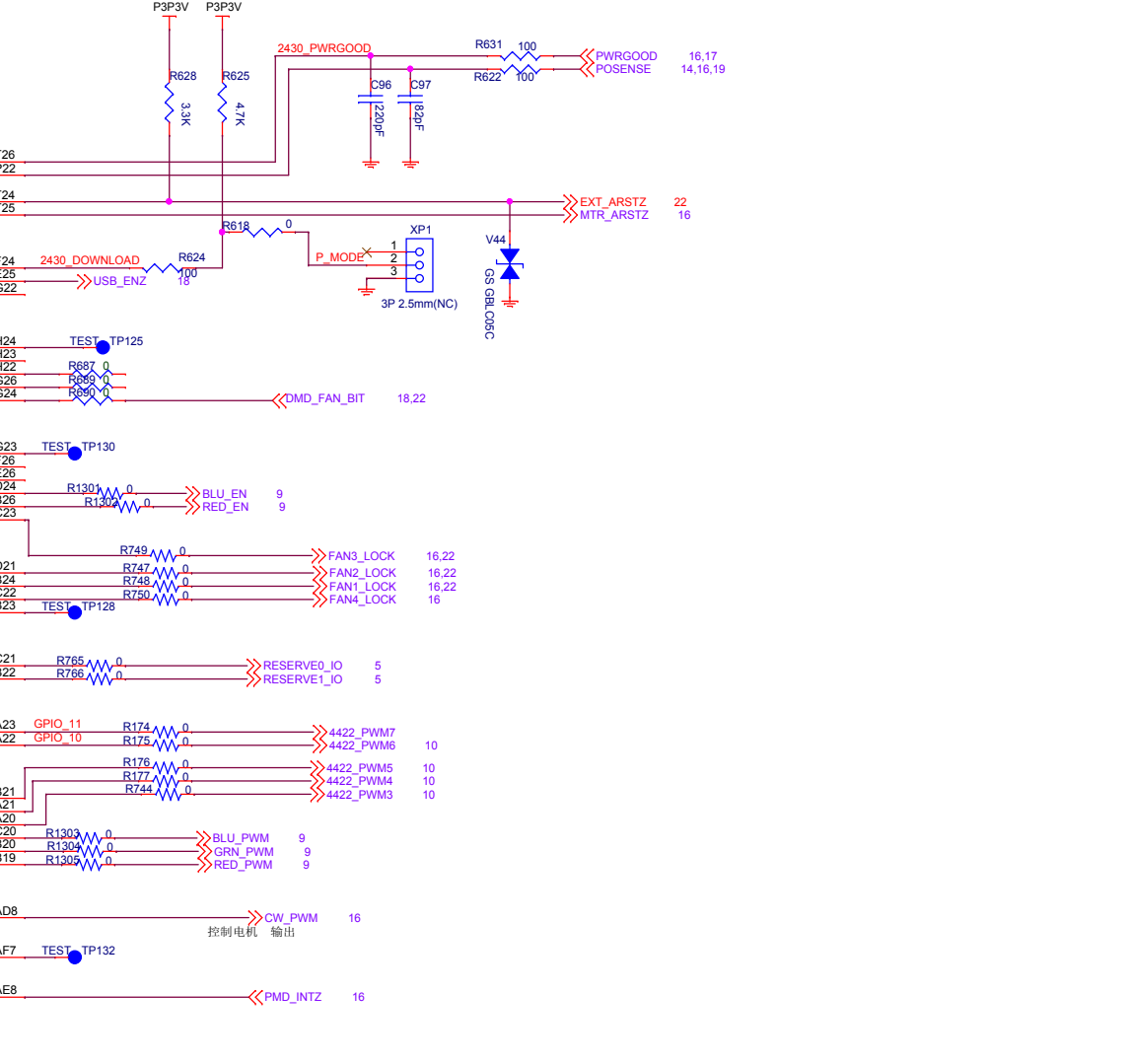
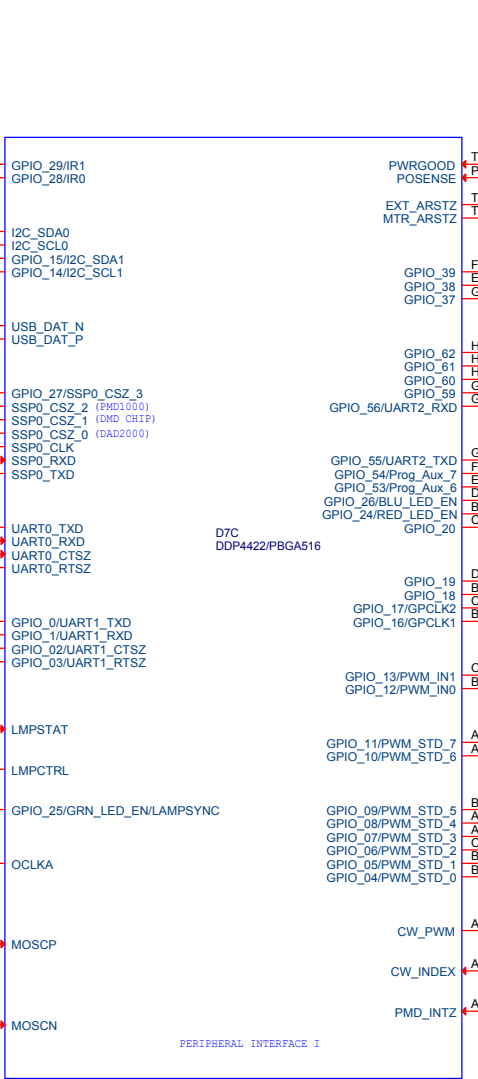
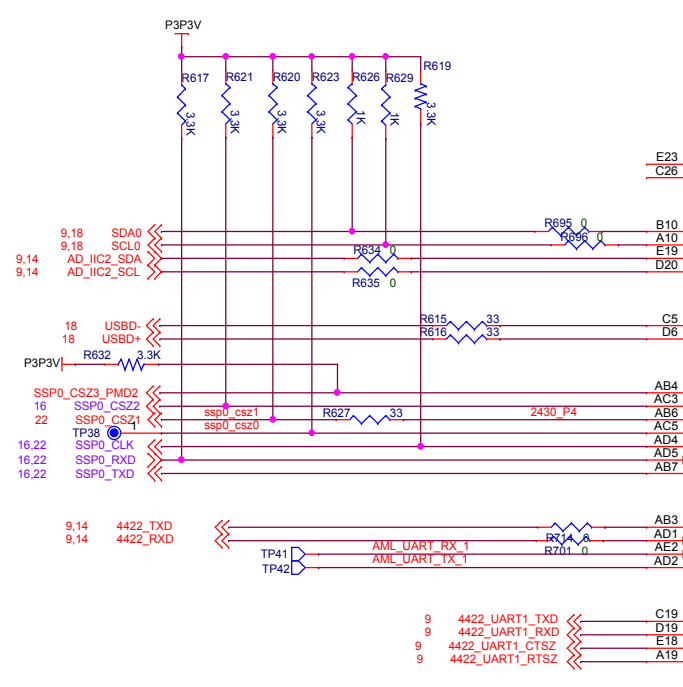
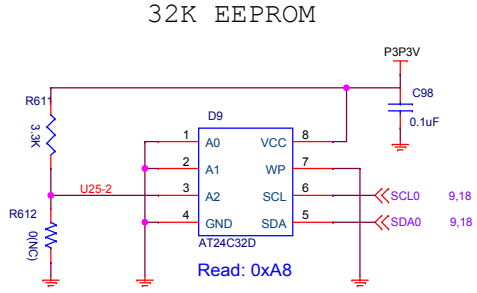
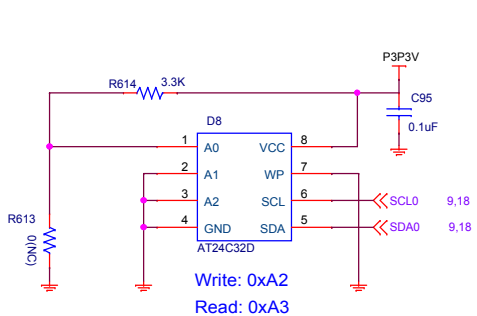
Front End Interface



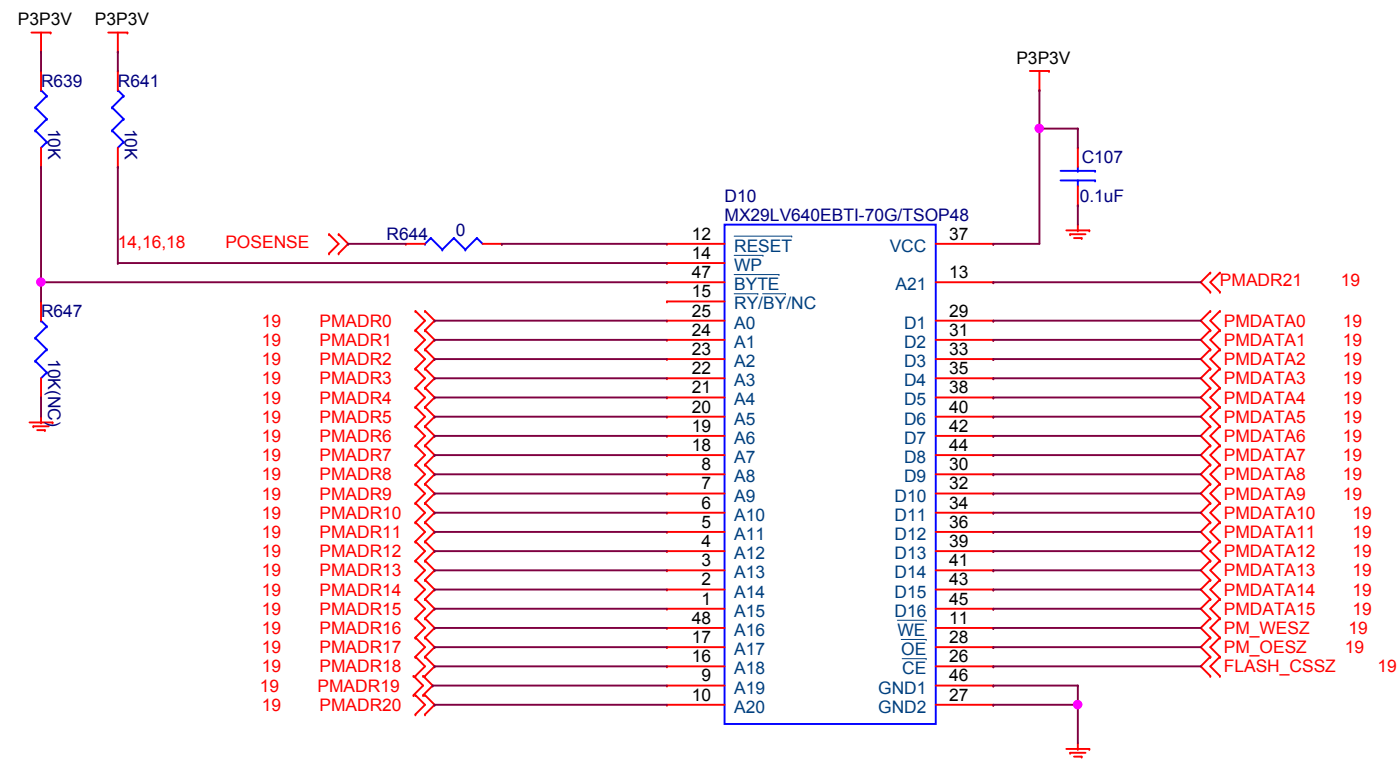
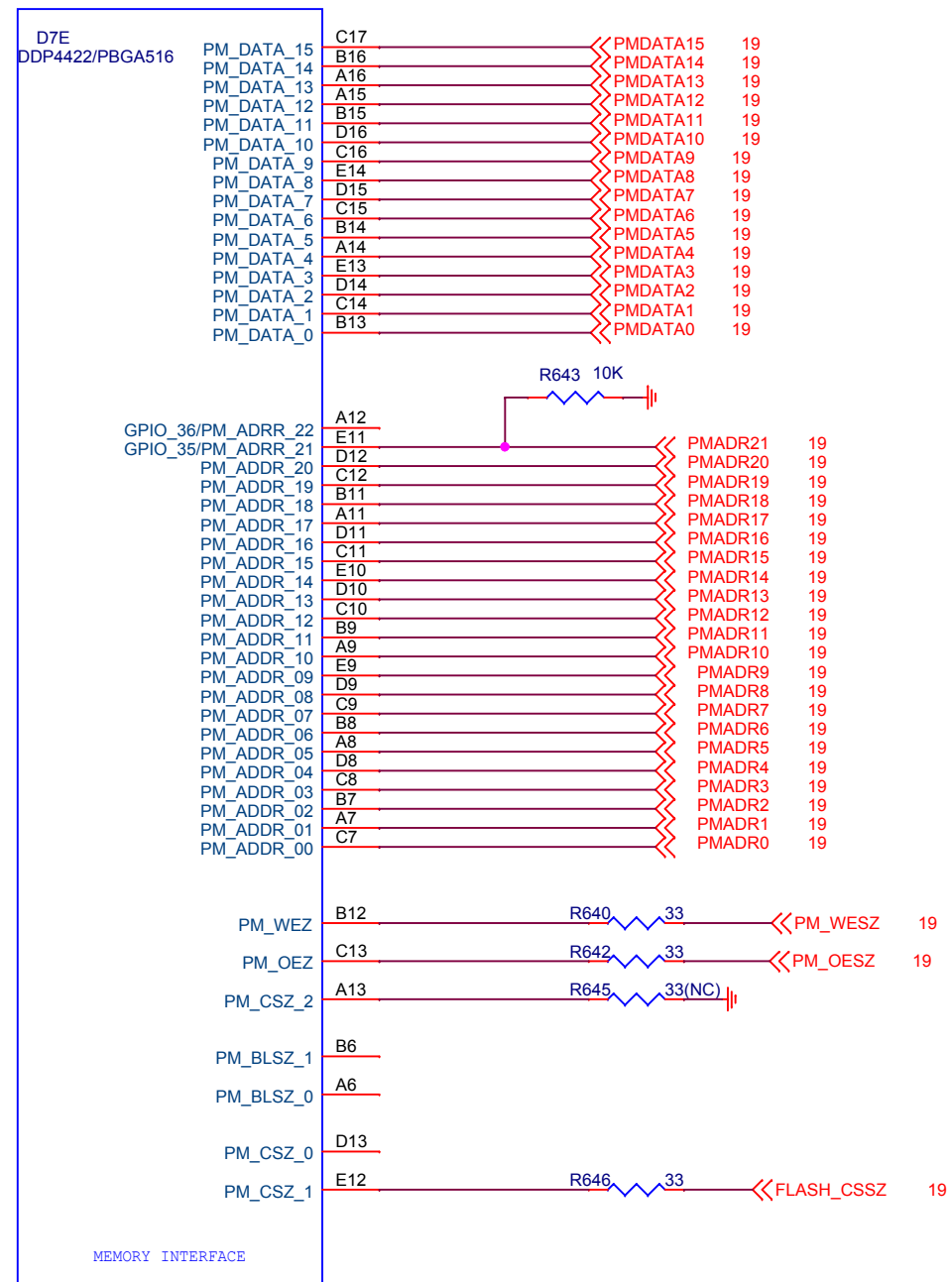
16,18 PWRGOOD

TMS1	1	TP15
TDO1	1	TP16
TDO2	1	TP17
TMS2	1	TP18
TDI	1	TP19
TCK	1	TP20
TRSTZ	1	TP21
RTCKP	1	TP22
P3P3V	1	TP23
GND	1	TP24
PWRGOOD	1	TP25
TRACEPKT0	1	TP26
TRACEPKT1	1	TP27
TRACEPKT2	1	TP29
TRACEPKT3	1	TP30
TRACEPKT4	1	TP31
TRACEPKT5	1	TP32
TRACEPKT6	1	TP34
TRACEPKT7	1	TP35

Title		
<Title>		
Size	Document Number	Rev
A3	<Doc>	<RevCode>
Date:	Friday, January 15, 2021	Sheet 17 of 22



Title	<Title>	Rev	<RevCode>
Size	A2	Document Number	<Doc>
Date:	Friday, January 15, 2021	Sheet	18 of 22



Title		
<Title>		
Size	Document Number	Rev
A3	<Doc>	<RevCode>
Date:	Friday, November 13, 2020	Sheet 19 of 22

