
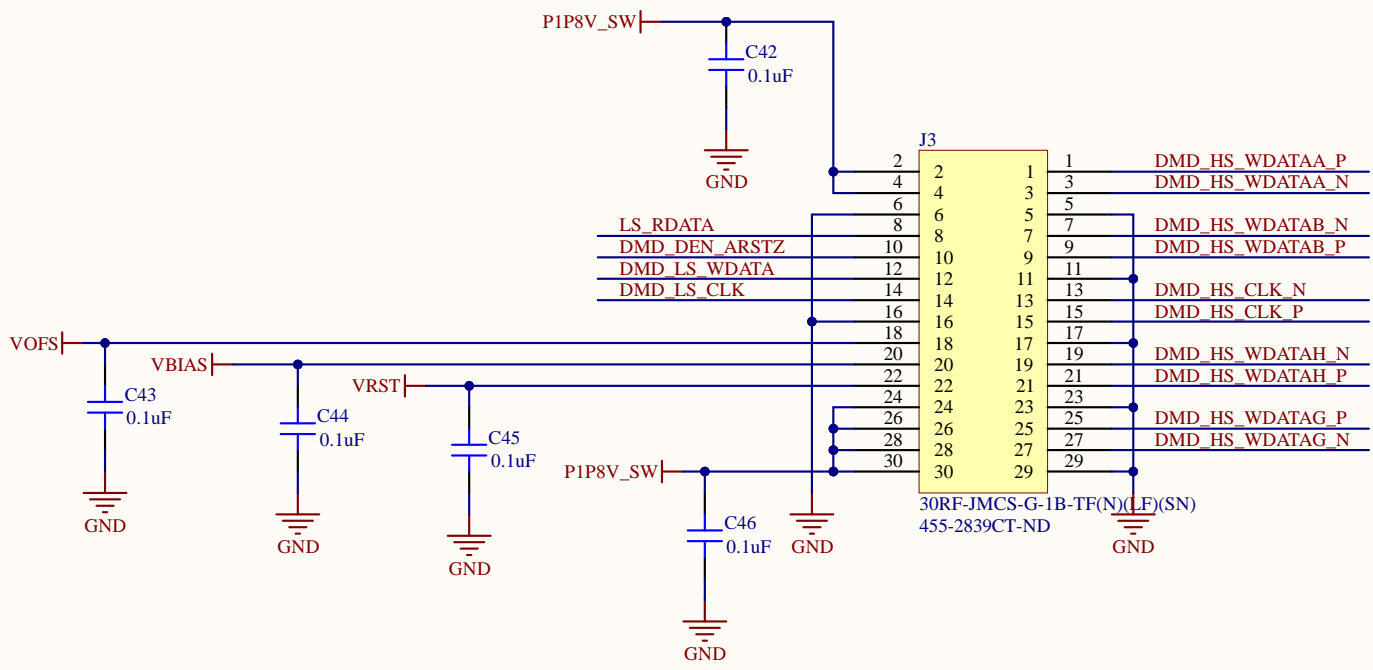

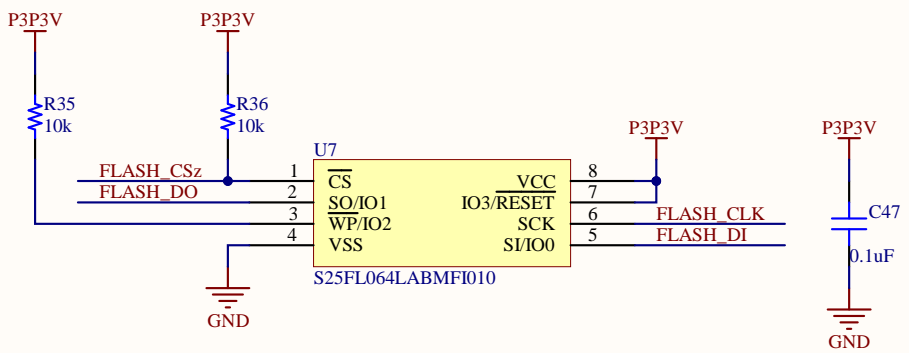



Title Untitled			 Converge Technology Services 4621 Lyman Drive Hilliard, Ohio 43026
Size: A	Number: S-000100	Revision: Draft	
Date: 5/19/2020	Time: 12:18:54 PM	Sheet 1 of --	
File: mats_other_connector.SchDoc		Drawn By: *	



Title Untitled			 Converge Technology Services 4621 Lyman Drive Hilliard, Ohio 43026
Size: A	Number: S-000100	Revision: Draft	
Date: 5/19/2020	Time: 12:18:54 PM	Sheet 1 of --	
File: mats_dmd_conn.SchDoc		Drawn By: *	

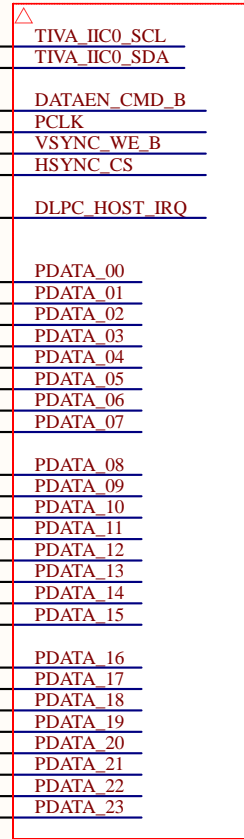


Title Untitled			 Converge Technology Services 4621 Lyman Drive Hilliard, Ohio 43026
Size: A	Number: S-000100	Revision: Draft	
Date: 5/19/2020	Time: 12:18:54 PM	Sheet 1 of --	
File: mats_dlpc150_flash.SchDoc		Drawn By: *	

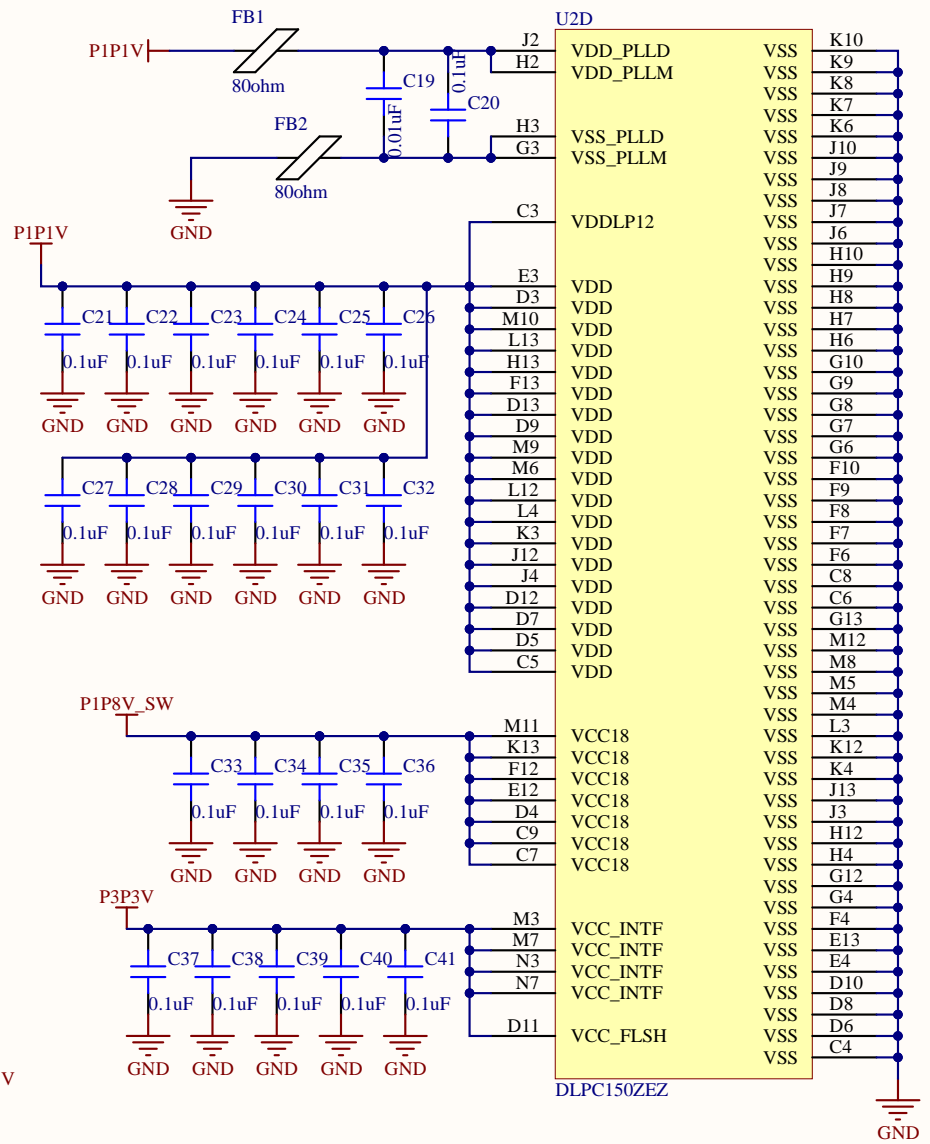
U2C

IIC0_SCL	N10	TIVA_IIC0_SCL
IIC0_SDA	N9	TIVA_IIC0_SDA
DATAEN_CMD	P2	DATAEN_CMD_B
PCLK	P3	PCLK
VSYNC_WE	P1	VSYNC_WE_B
HSYNC_CS	N5	HSYNC_CS
HOST_IRQ	N8	DLPC_HOST_IRQ
PDATA_0	K2	PDATA_00
PDATA_1	K1	PDATA_01
PDATA_2	L2	PDATA_02
PDATA_3	L1	PDATA_03
PDATA_4	M2	PDATA_04
PDATA_5	M1	PDATA_05
PDATA_6	N2	PDATA_06
PDATA_7	N1	PDATA_07
PDATA_8	R1	PDATA_08
PDATA_9	R2	PDATA_09
PDATA_10	R3	PDATA_10
PDATA_11	P4	PDATA_11
PDATA_12	R4	PDATA_12
PDATA_13	P5	PDATA_13
PDATA_14	R5	PDATA_14
PDATA_15	P6	PDATA_15
PDATA_16	R6	PDATA_16
PDATA_17	P7	PDATA_17
PDATA_18	R7	PDATA_18
PDATA_19	P8	PDATA_19
PDATA_20	R8	PDATA_20
PDATA_21	P9	PDATA_21
PDATA_22	R9	PDATA_22
PDATA_23	P10	PDATA_23
PDM_CVS_TE	N4	

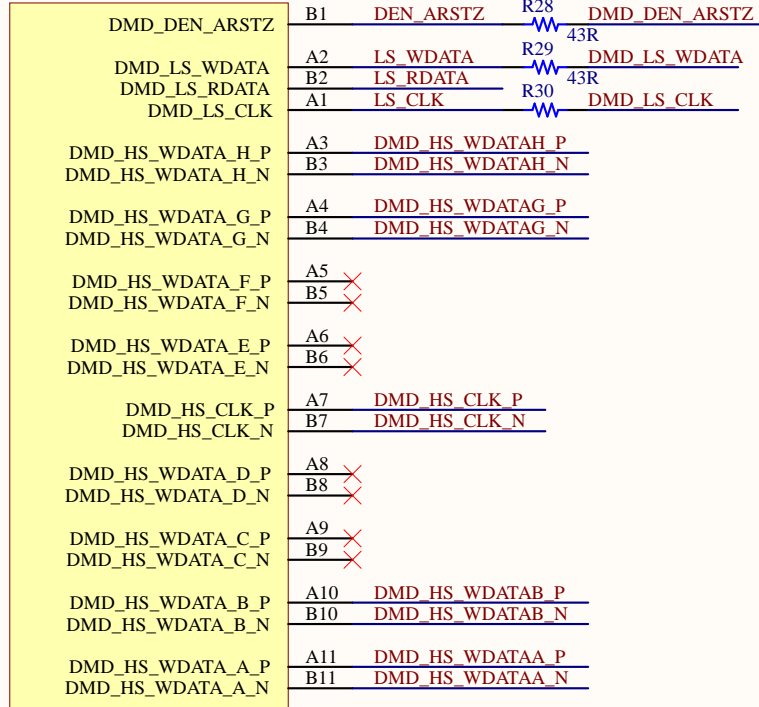
DLPC150ZEZ



DP10



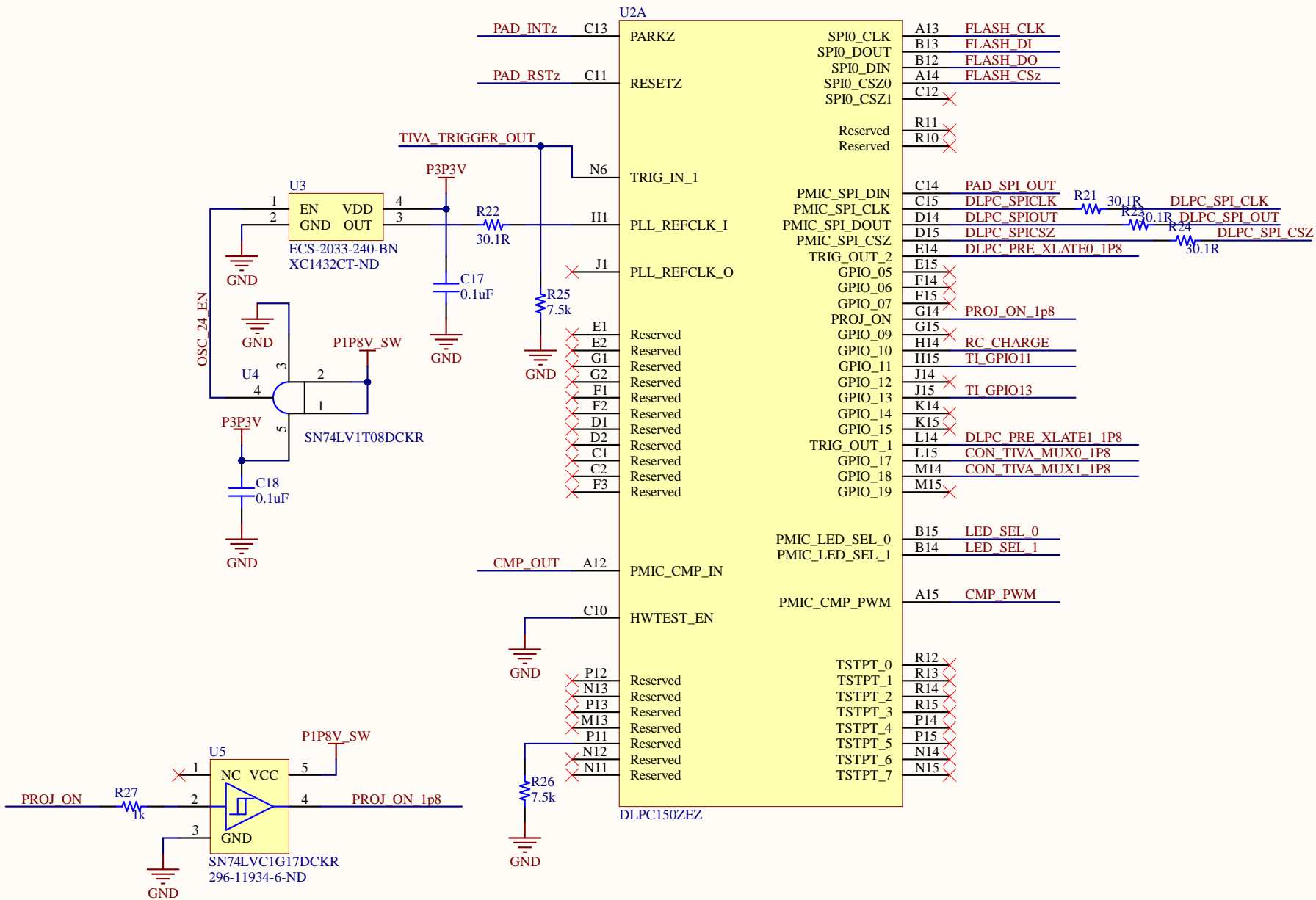
U2B

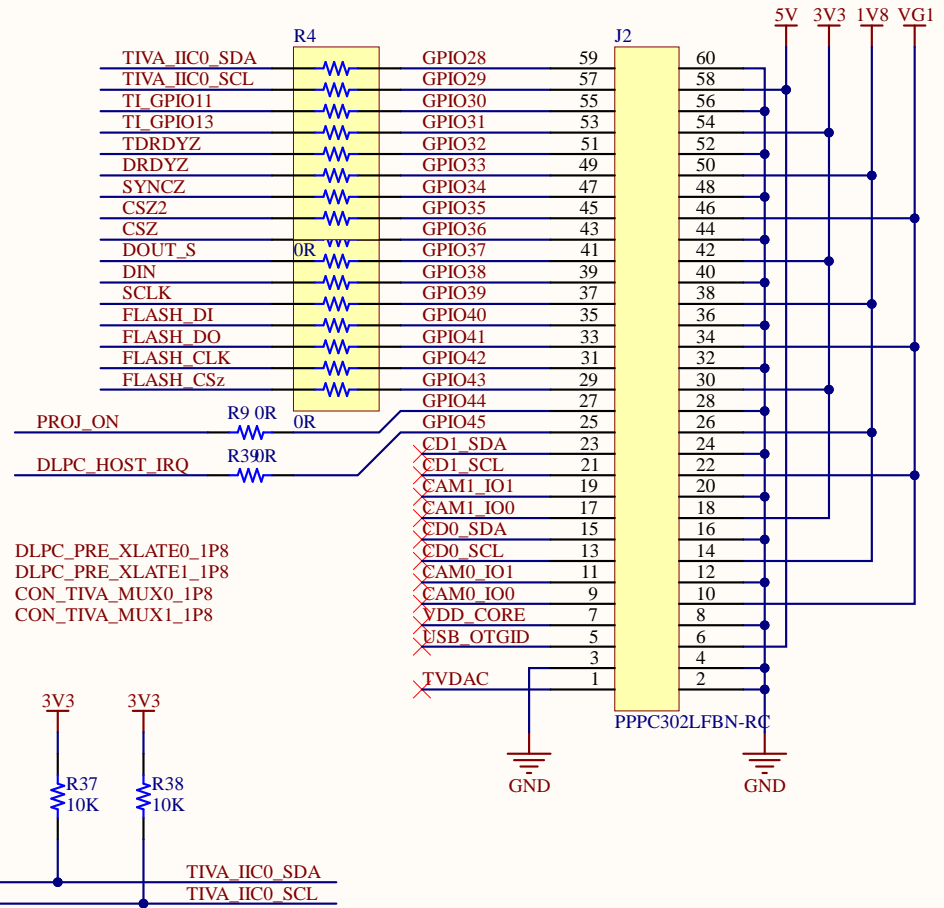
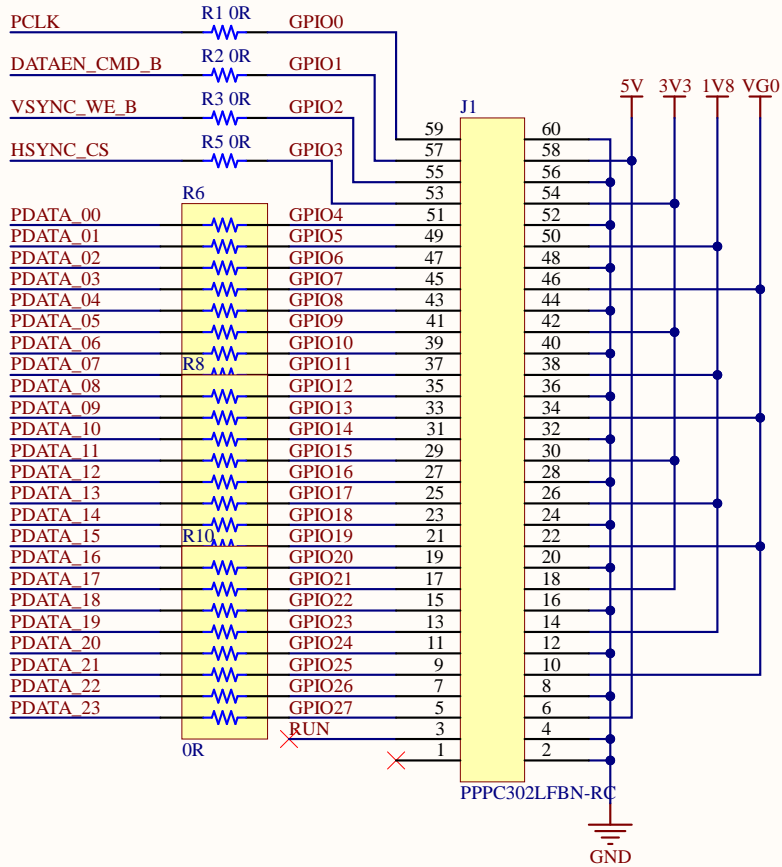


DLPC150ZEZ

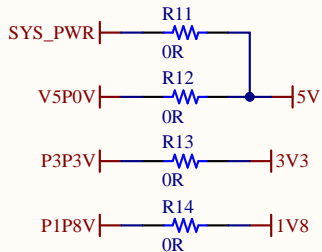
Title Untitled			Converge Technology Services 4621 Lyman Drive Hilliard, Ohio 43026	
Size: A	Number: S-000100	Revision: Draft		
Date: 5/19/2020	Time: 12:18:54 PM	Sheet 1 of --		
File: mats_dlpc150_b.SchDoc	Drawn By: *	Approved By: *		



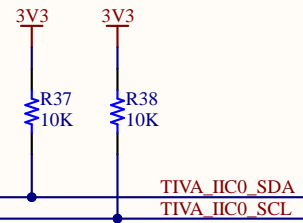




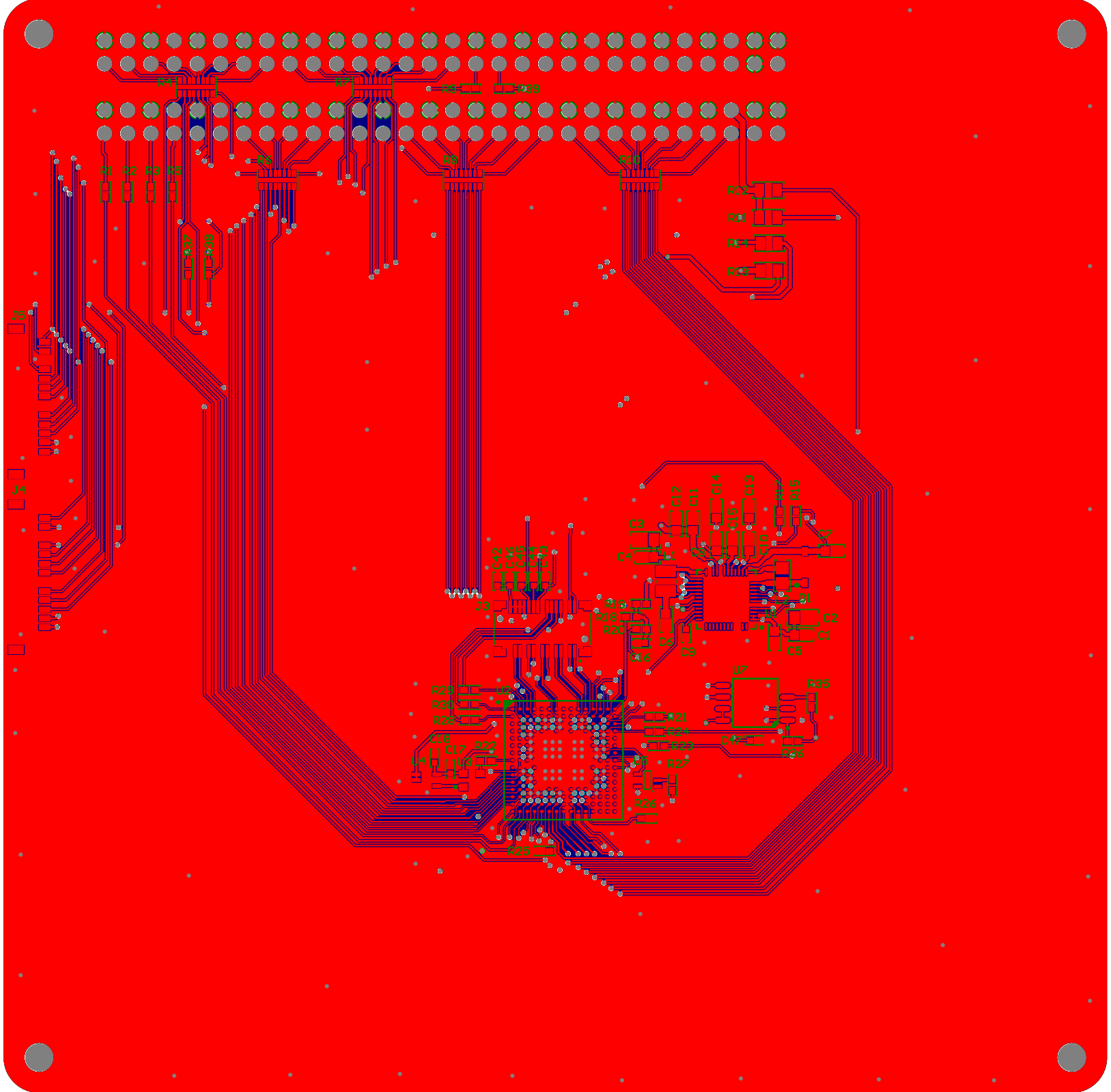
SYS_PWR was 4.5V but 5.0V should also be fine.



DLPC_PRE_XLATE0_1P8
DLPC_PRE_XLATE1_1P8
CON_TIVA_MUX0_1P8
CON_TIVA_MUX1_1P8



Title Untitled			Converge Technology Services 4621 Lyman Drive Hilliard, Ohio 43026
Size: A	Number: S-000100	Revision: Draft	
Date: 5/19/2020	Time: 12:18:54 PM	Sheet 1 of --	converge technologies
File: mats_mainboard_connector.SchDoc	Drawn By: *	Approved By: *	



Board Stack Report