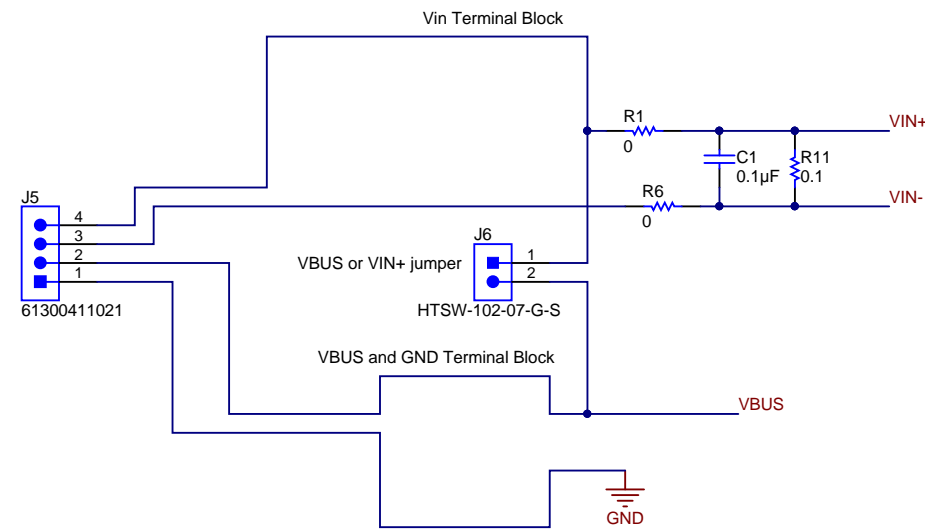
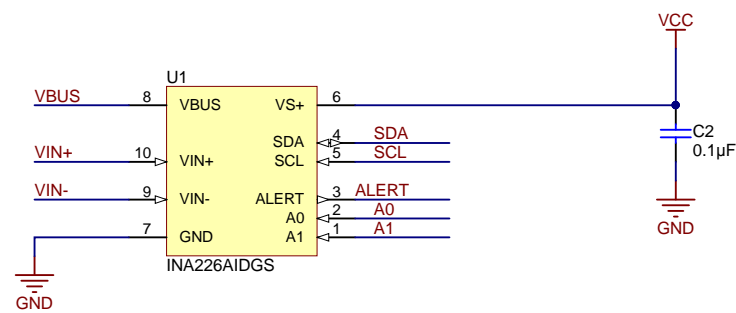


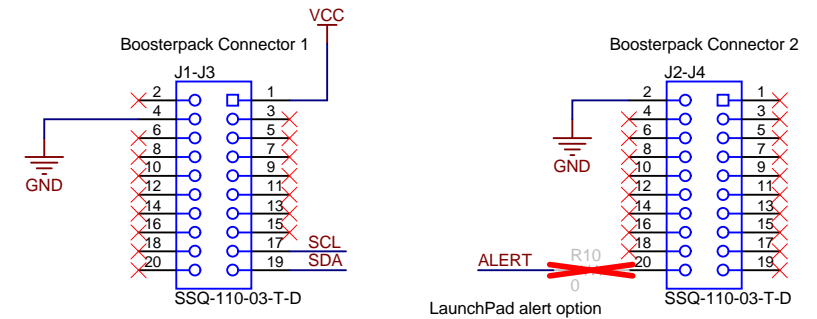
Scope Inputs



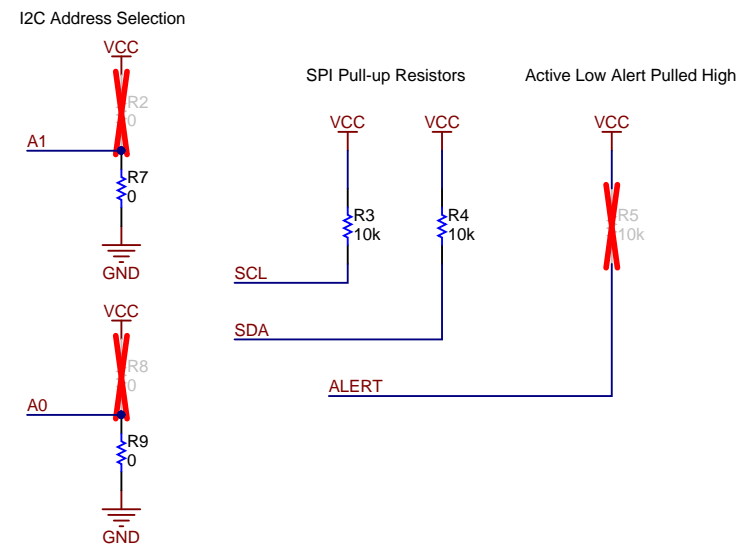
INA Power Measurement Chip



BoosterPack Connectors



INA Configuration



Texas Instruments and/or its licensors do not warrant the accuracy or completeness of this specification or any information contained therein. Texas Instruments and/or its licensors do not warrant that this design will meet the specifications, will be suitable for your application or fit for any particular purpose, or will operate in an implementation. Texas Instruments and/or its licensors do not warrant that the design is production worthy. You should completely validate and test your design implementation to confirm the system functionality for your application.

Orderable: IMETER-BOOST	Designed for: Public Release	Mod. Date: 12/13/2016
TID #: IMETER-BOOST	Project Title: IMETER-BOOST	
Number: WCS033	Rev: A	Sheet Title: WCS033A-Engine Area
SVN Rev: Not in version control	Assembly Variant: Boosterpack	Sheet: 2 of 3
Drawn By:	File: WCS033A-Engine Area.SchDoc	Size: B
Engineer: Asaf Carmeli	Contact: http://www.ti.com/support	



PCB LOGO
Texas Instruments

PCB LOGO
FCC

PCB LOGO
PB-Free

PCB Number: WCS033
PCB Rev: A

ZZ1
Assembly Note
These assemblies are ESD sensitive, ESD precautions shall be observed.

ZZ2
Assembly Note
These assemblies must be clean and free from flux and all contaminants. Use of no clean flux is not acceptable.

ZZ3
Assembly Note
These assemblies must comply with workmanship standards IPC-A-610 Class 2, unless otherwise specified.

Orderable: IMETER-BOOST	Designed for: Public Release	Mod. Date: 12/13/2016	 TEXAS INSTRUMENTS http://www.ti.com © Texas Instruments 2016
TID #: IMETER-BOOST	Project Title: IMETER-BOOST		
Number: WCS033	Rev: A	Sheet Title: WCS033A-Hardware	
SVN Rev: Not in version control	Assembly Variant: Boosterpack	Sheet: 3 of 3	
Drawn By: Asaf Carmeli	File: WCS033A-Hardware.SchDoc	Size: B	
Engineer: Asaf Carmeli	Contact: http://www.ti.com/support		

Texas Instruments and/or its licensors do not warrant the accuracy or completeness of this specification or any information contained therein. Texas Instruments and/or its licensors do not warrant that this design will meet the specifications, will be suitable for your application or fit for any particular purpose, or will operate in an implementation. Texas Instruments and/or its licensors do not warrant that the design is production worthy. You should completely validate and test your design implementation to confirm the system functionality for your application.