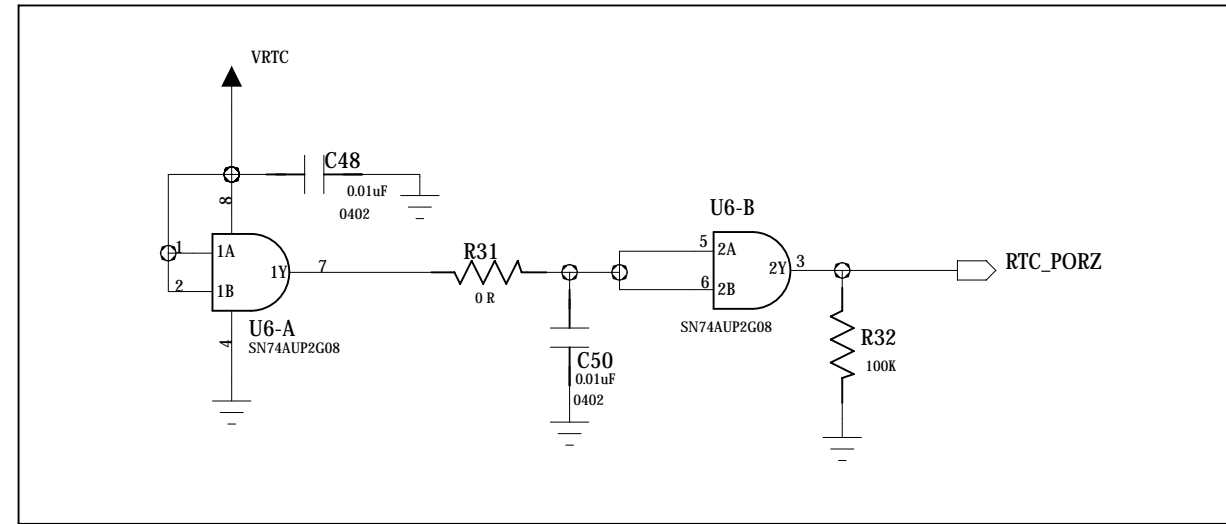
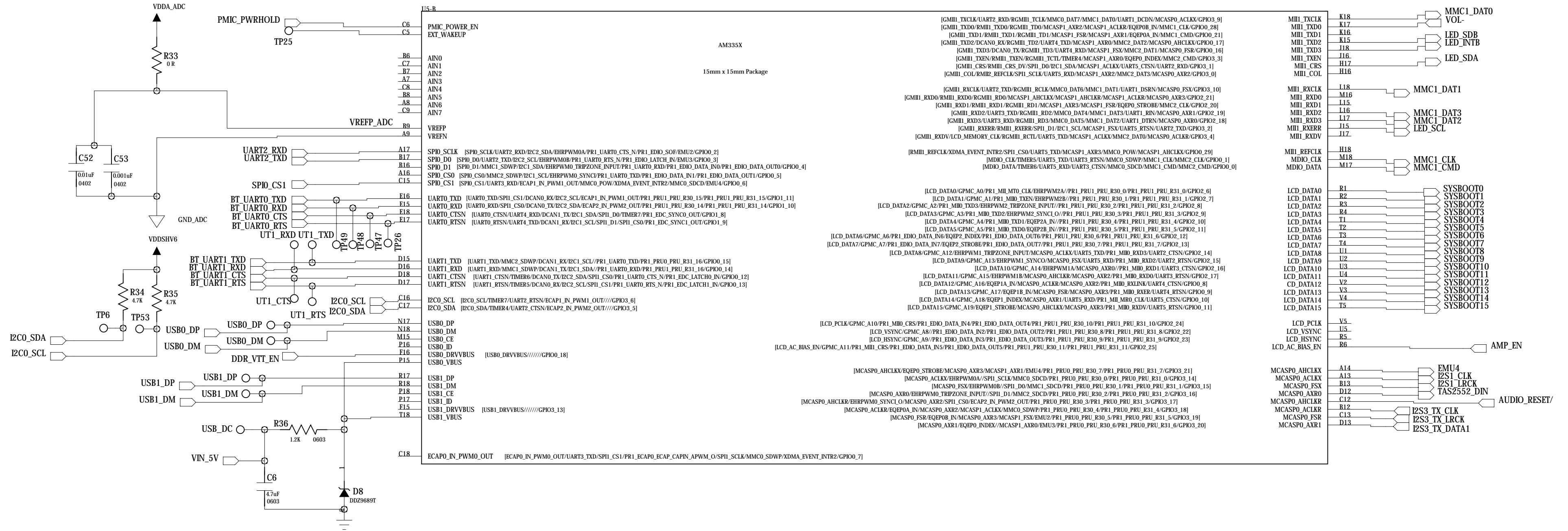


RTC POWER ON RESET



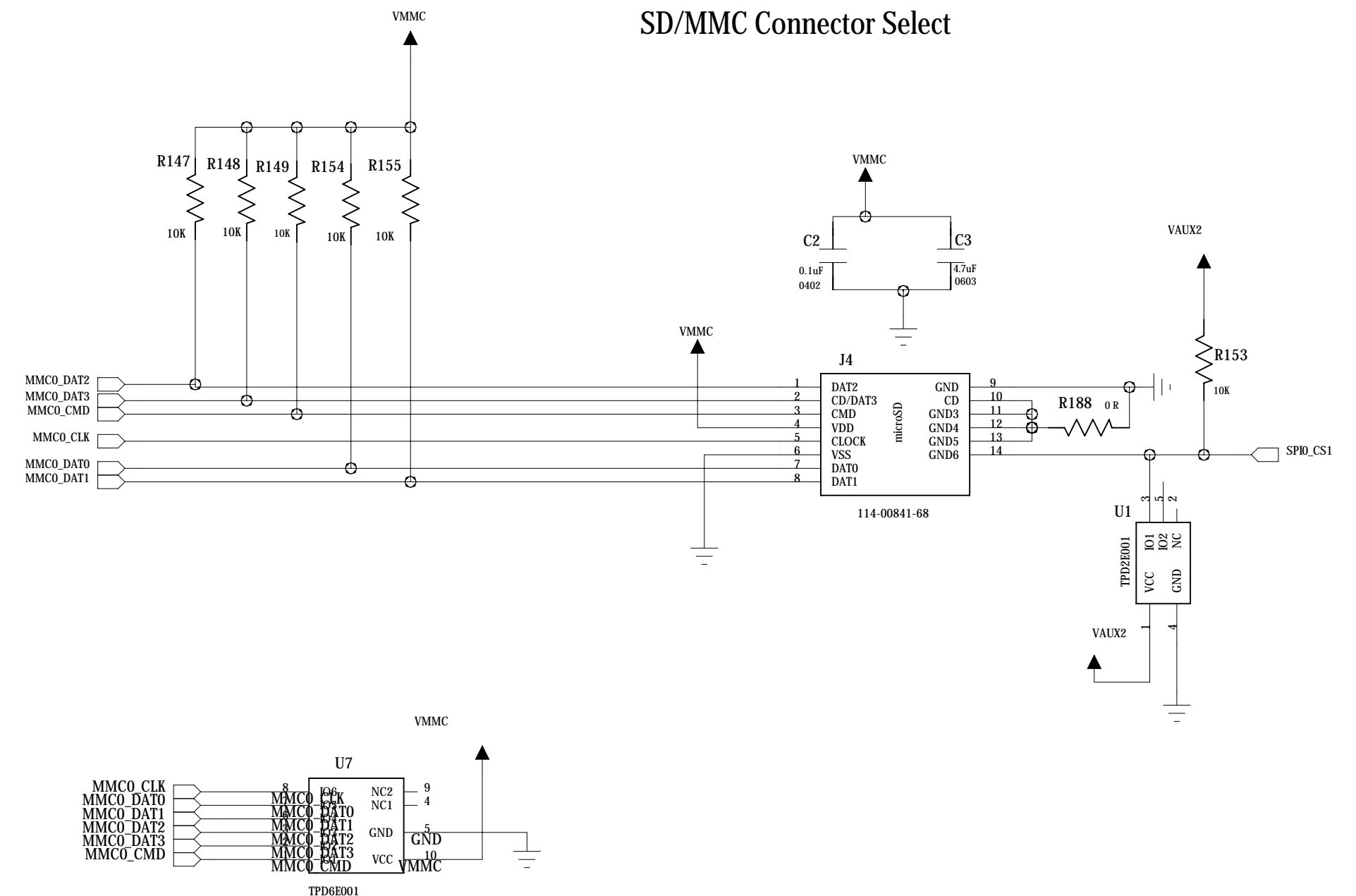
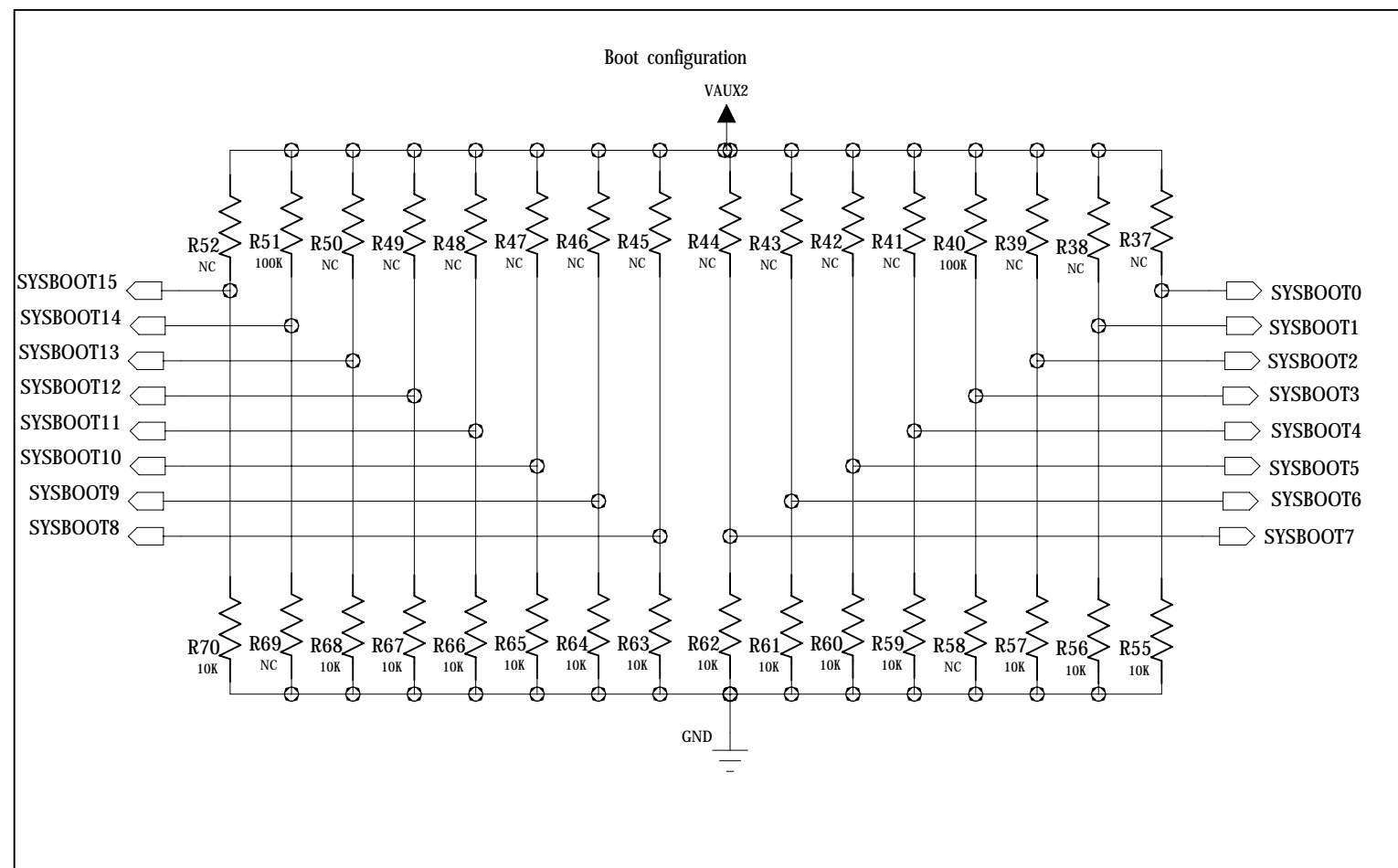


OPTION Select

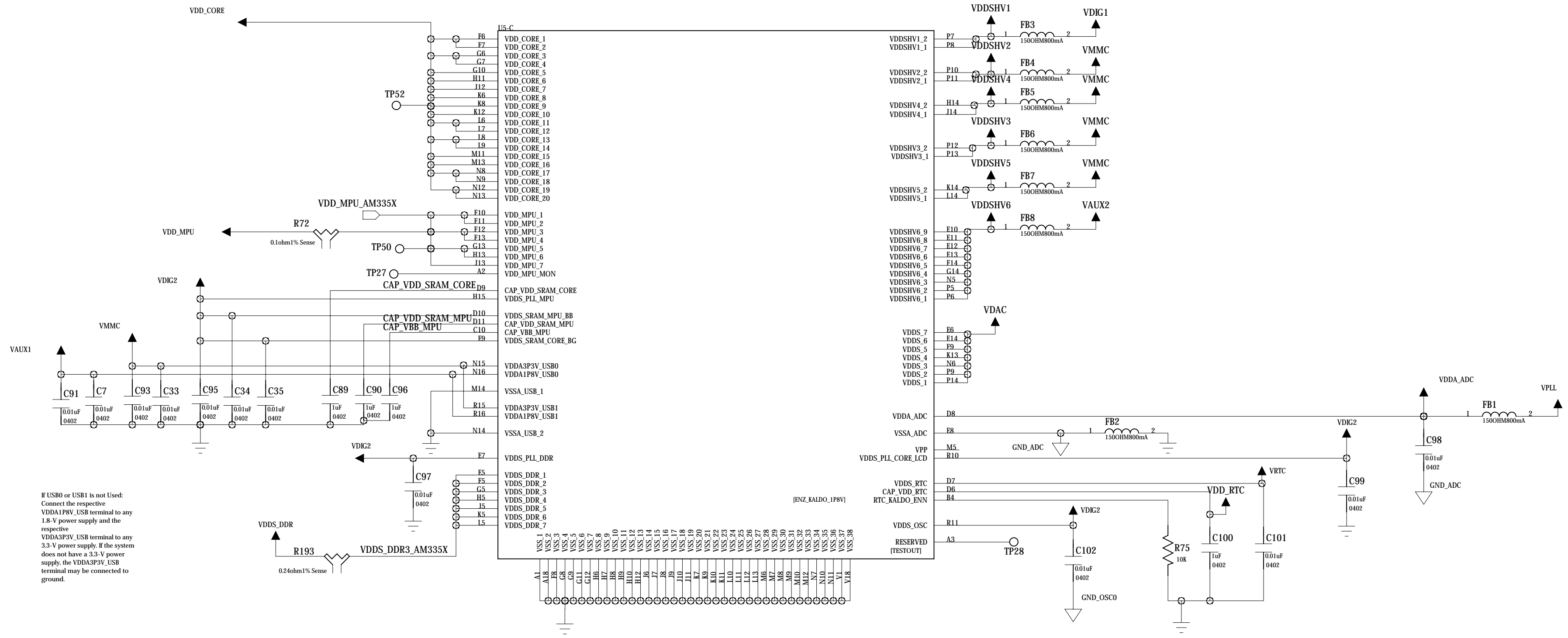
Boot Configuration



SD/MMC Connector Select

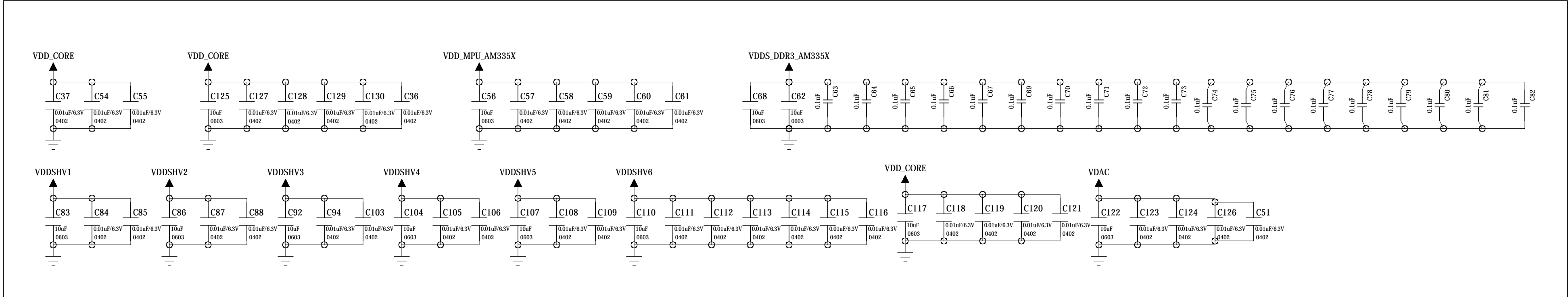


AM3352 POWER

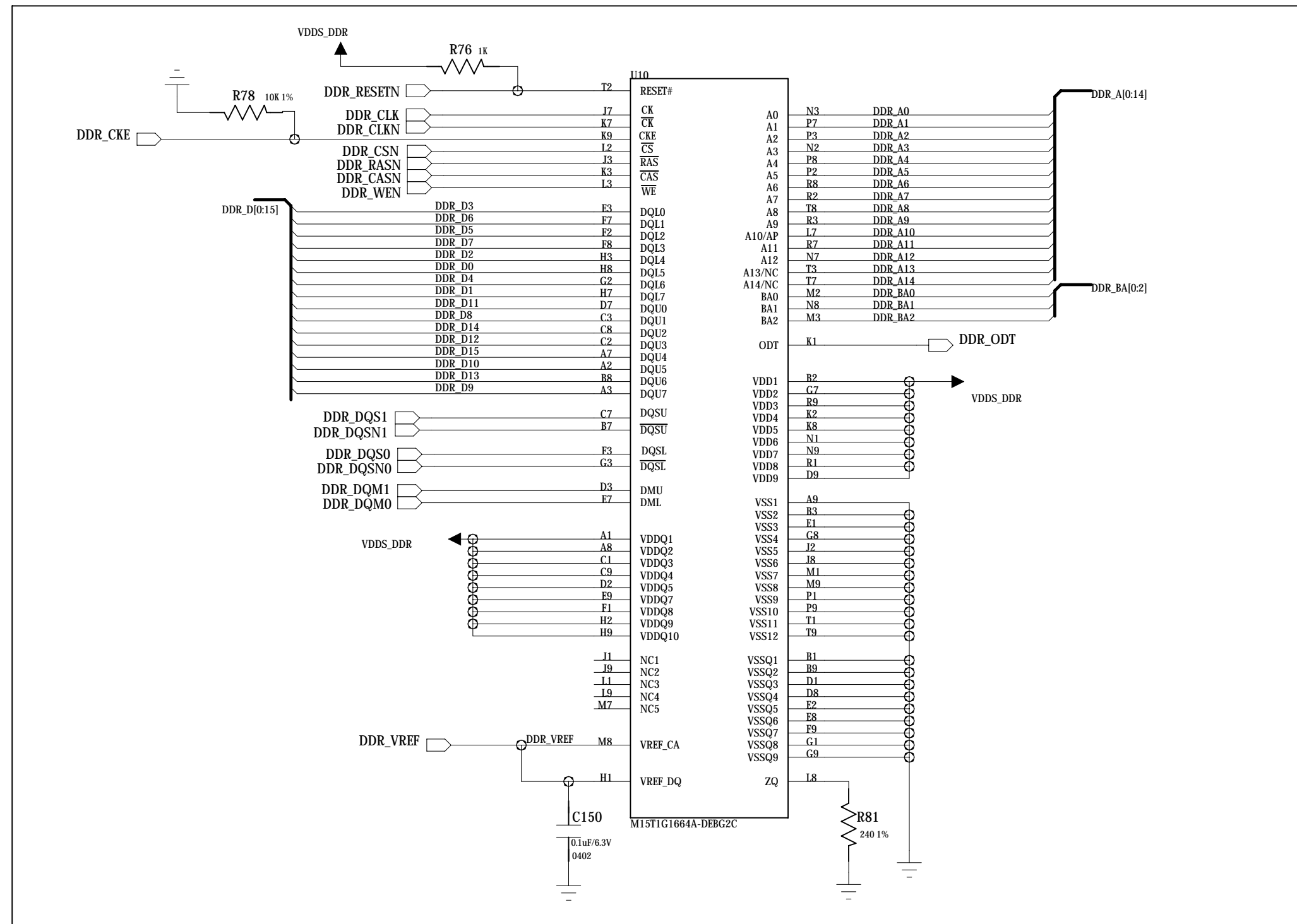


If USB0 or USB1 is not Used:
Connect the respective VDDA1P8V_USB terminal to any 1.8-V power supply and the respective VDDA3P3V_USB terminal to any 3.3-V power supply. If the system does not have a 3.3-V power supply, the VDDA3P3V_USB terminal may be connected to ground.

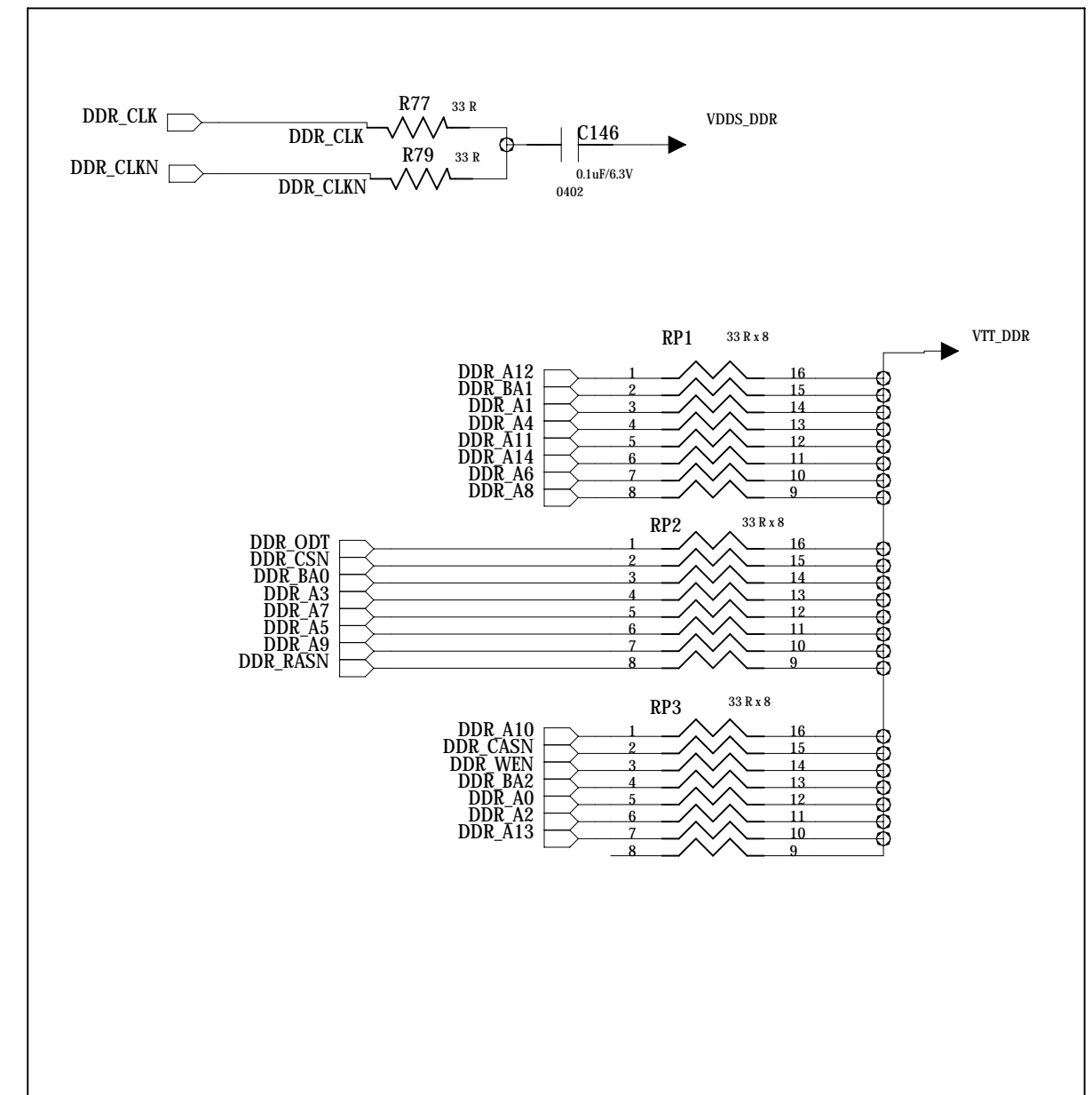
DECAPS



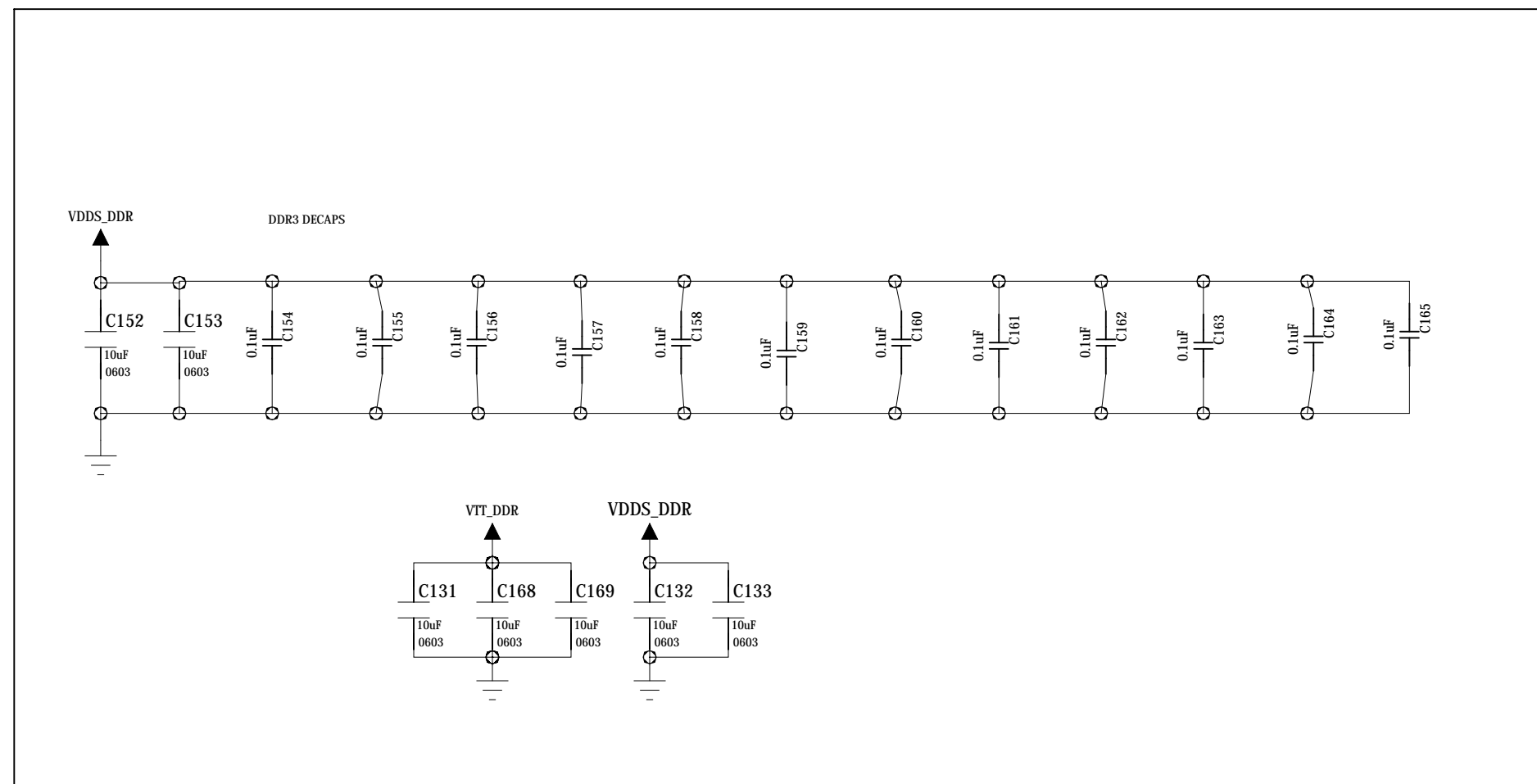
DDR3 SDRAM



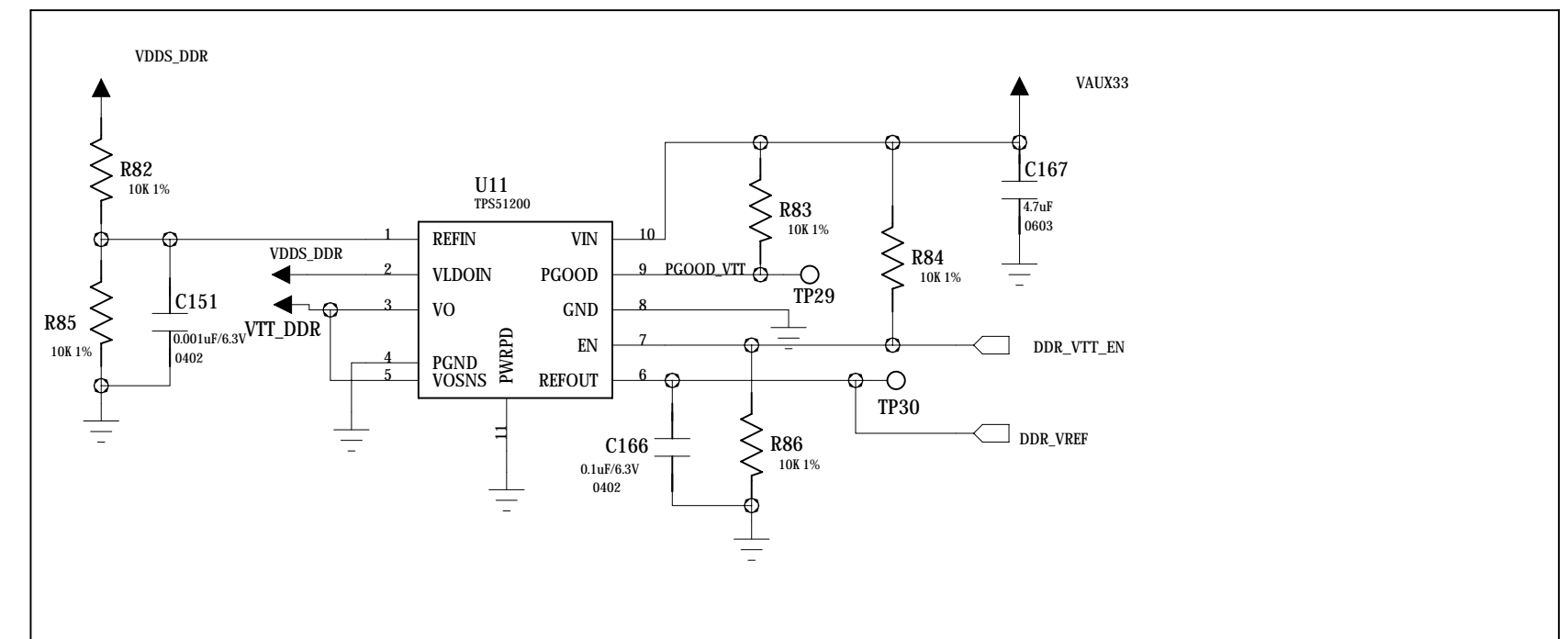
Terminations



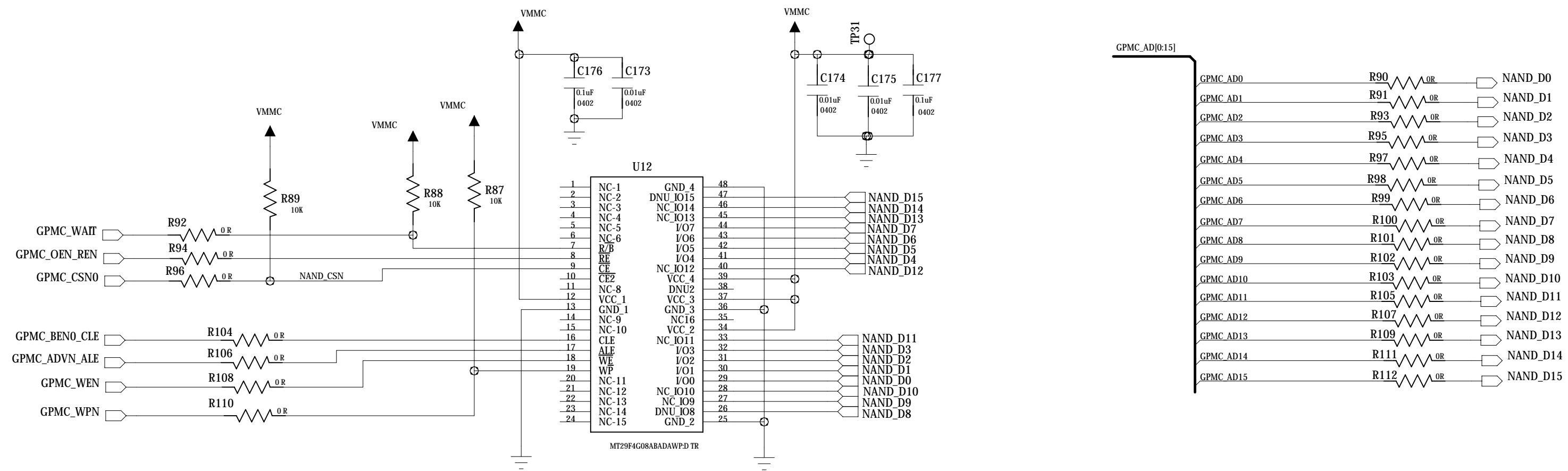
DECAPS



VTT REGULATOR



NAND Memory



WLAN & BT MODULE

