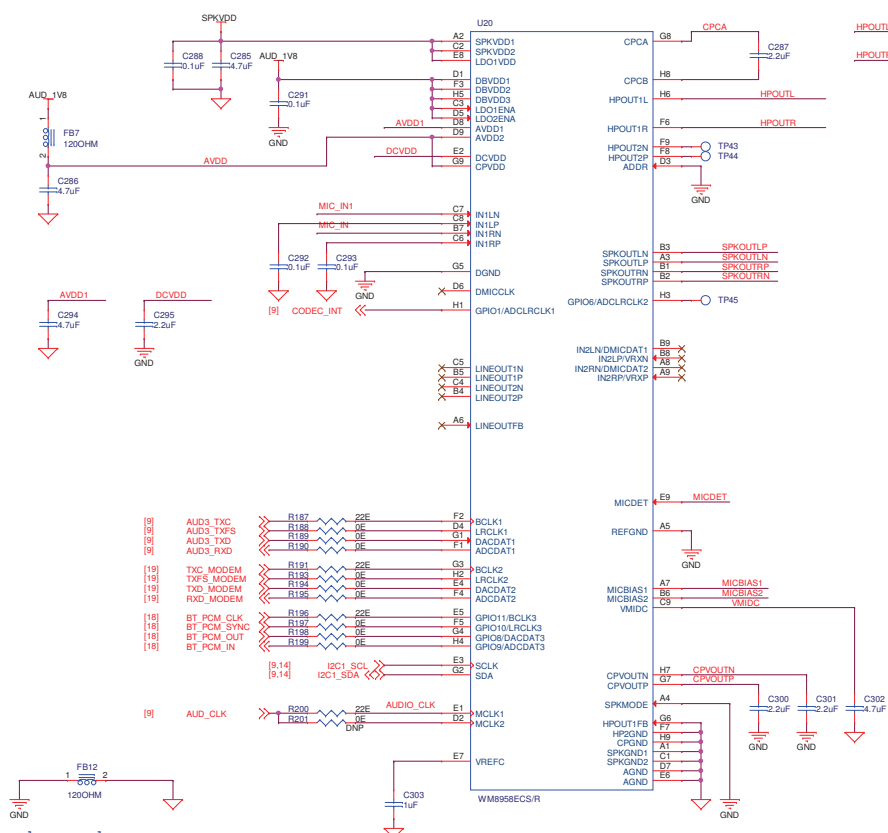
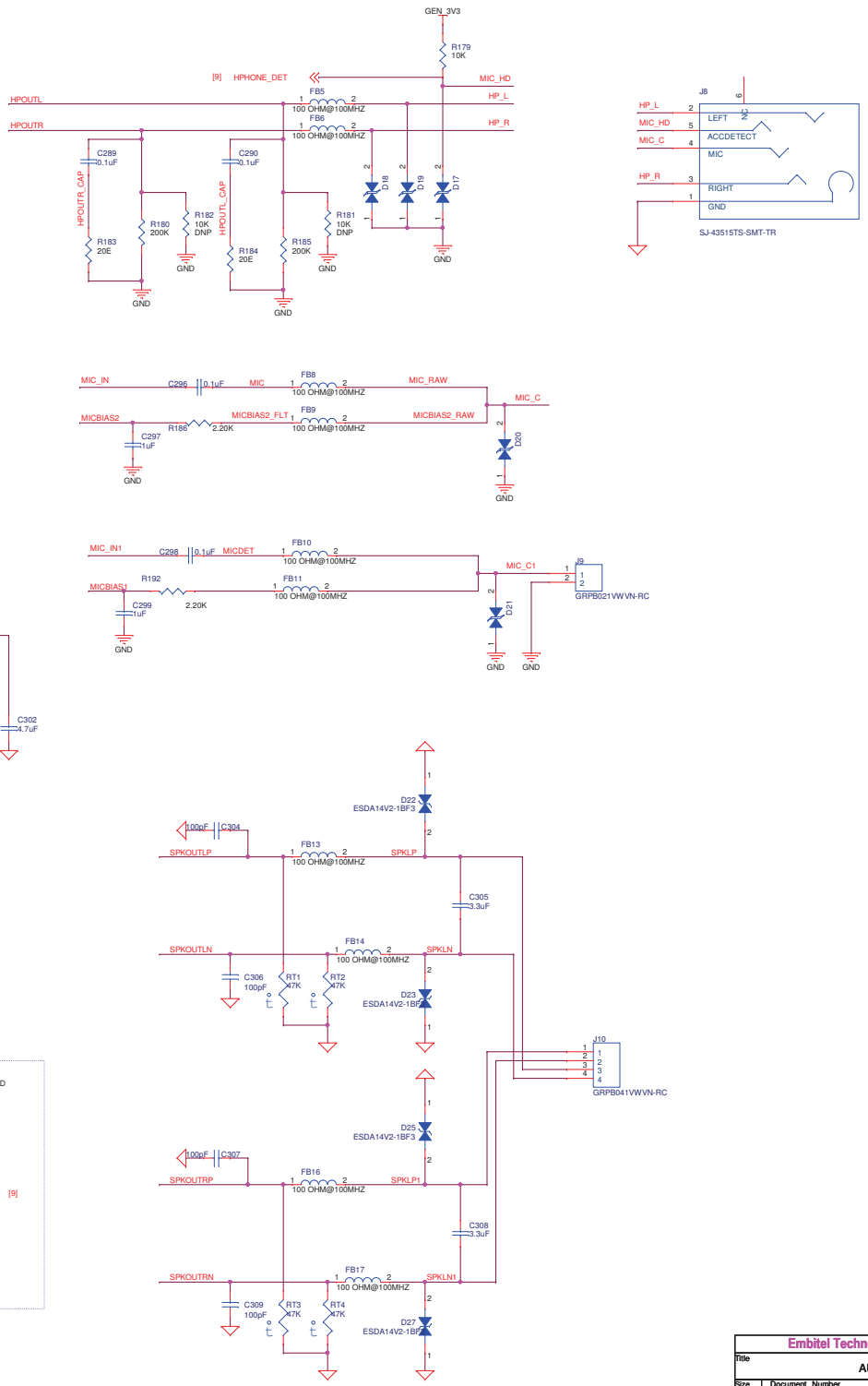
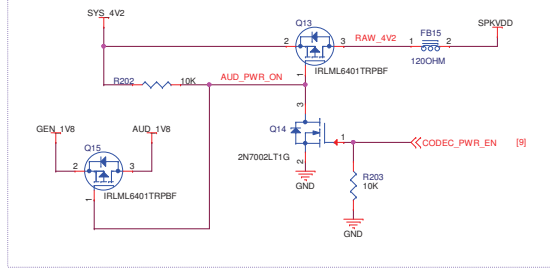


# AUDIO CODEC

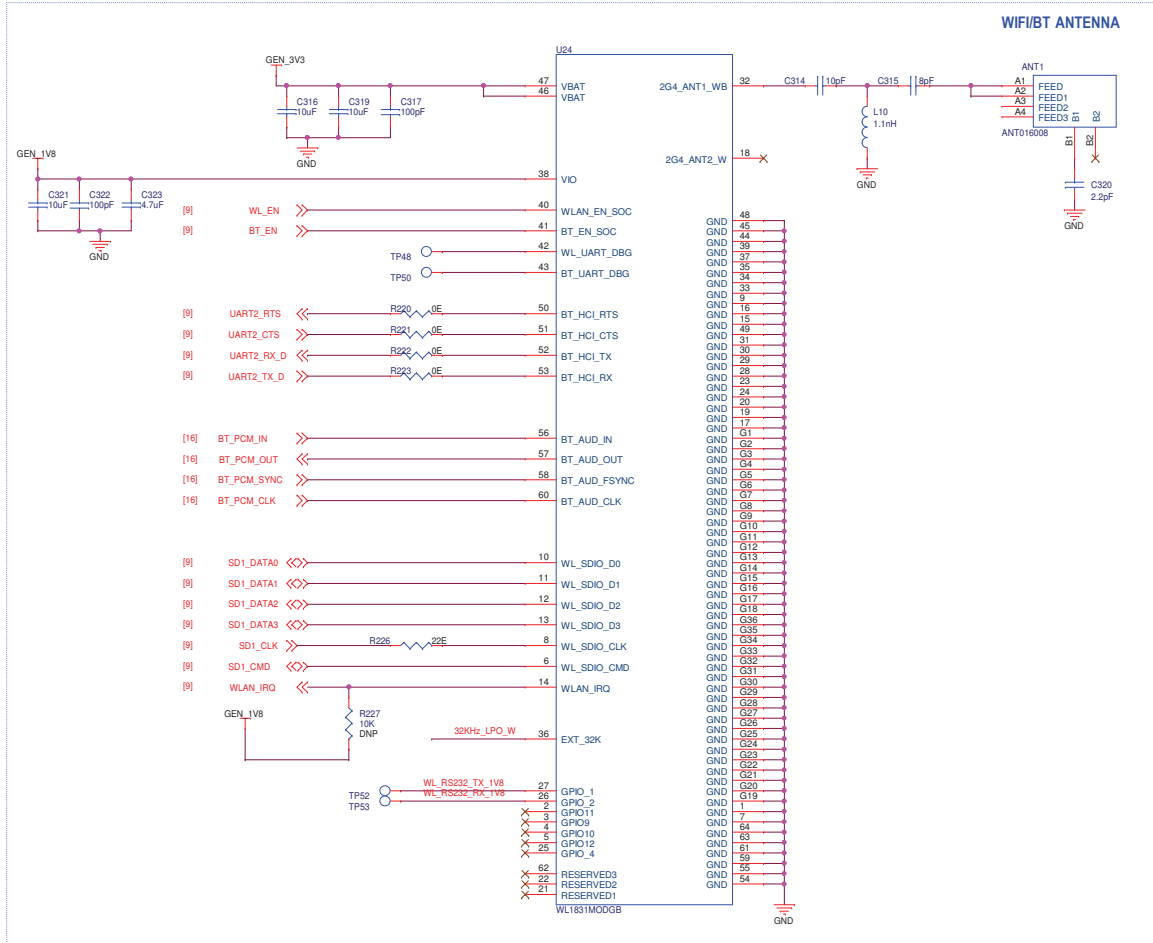


place as close as possible to AGND ball

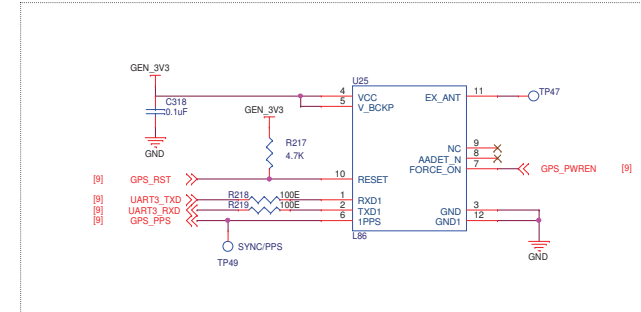
## AUDIO CODEC POWER ENABLE



### WiFi/BT MODULE



### GPS RECEIVER



### CLOCK CIRCUIT for Wi-Fi/BT

