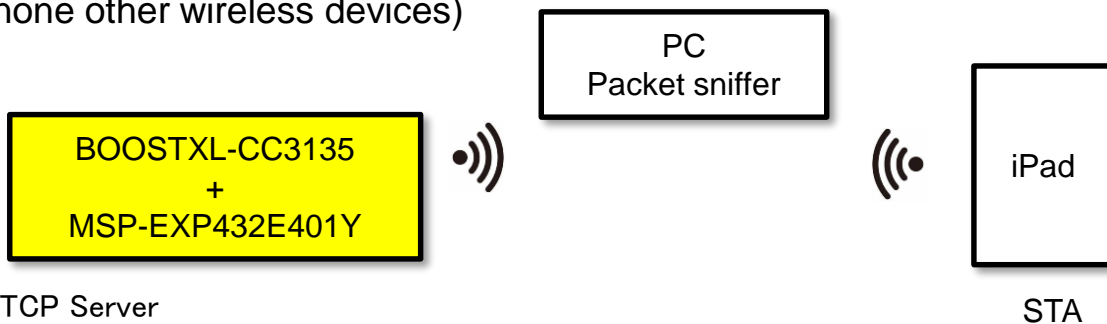


# Customer's Verification Environment

Shield-room (none other wireless devices)



AP mode / TCP Server

Customer is using the default setting except IP configuration.

After connecting to the client, 1000 bytes of data are transmitted to the client at a certain cycle.

Customer noticed the through-rate decreases in a cycle of about 15 seconds, like next page.

Therefore, customer would like to know the reason why this behavior was observed.

Can I have your expert's advice/comments on this, please?

If customer should do any configuration, please let us know.

Customer tried to verify it with other Wi-Fi module(AP), however, this behavior was not observed.

