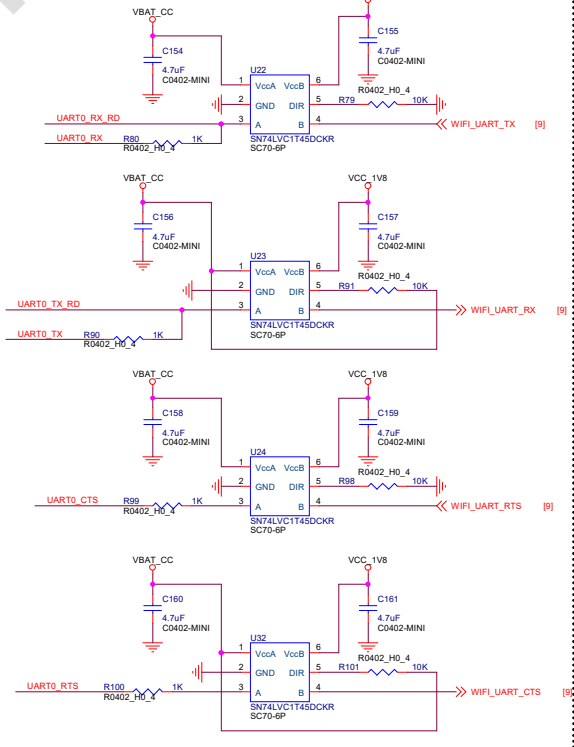


Level Shifters for UART

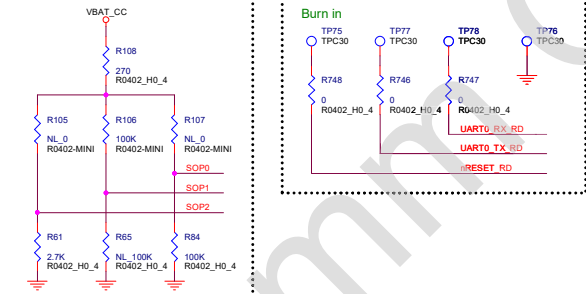
DIR : Low >> B data to A data
 DIR : High >> A data to B data



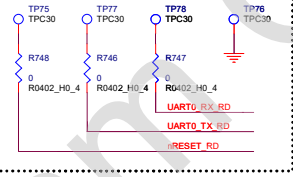
Boot Mode of CC3220MOD

Table 6-5. CC3220MODx and CC3220MODx Functional Configurations

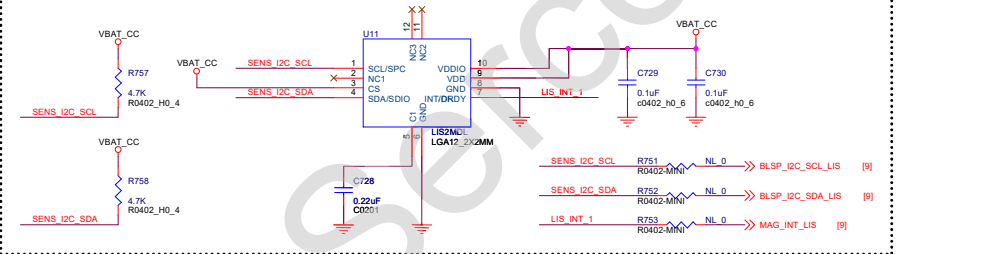
NAME	SOP0	SOP1	SOP2	SOP MODE	COMMENT
UART_LOAD	Pullup	Pullup	Pullup	LDRUART	Pin0: 0V. When the UART is enabled through the UART, the device will respond to the UART in boot mode. The SOP pin must be pulled up to ensure the device is in boot mode. Also, pin 27 is a 10k resistor for debugger connection.
FUNCTIONAL_RN0	Pullup	Pullup	Pullup	FN0U	Pin0: 0V. When the device is in boot mode, the device will respond to the UART in boot mode. The device will respond to the UART in boot mode. Also, pin 27 is a 10k resistor for debugger connection.
FUNCTIONAL_RN1	Pullup	Pullup	Pullup	FN1U	Pin1: 0V. When the device is in boot mode, the device will respond to the UART in boot mode. The device will respond to the UART in boot mode. Also, pin 27 is a 10k resistor for debugger connection.
UART_LOAD_FUNCTIONAL_0	Pullup	Pullup	Pullup	FN0U	Pin0: 0V. When the device is in boot mode, the device will respond to the UART in boot mode. The device will respond to the UART in boot mode. Also, pin 27 is a 10k resistor for debugger connection.
REF_FACTORY_MODE	Pullup	Pullup	Pullup	RefFactory	When the device is in boot mode, the device will respond to the UART in boot mode. The device will respond to the UART in boot mode. Also, pin 27 is a 10k resistor for debugger connection.



Burn in



Magnetometer



SERCOM
 中磊電子

TOP SECRET
 Proprietary

Hamster-CB 970DL10QK9N0
 Wi-Fi Module

Date: Tuesday, September 29, 2020 Sheet 10 of 11