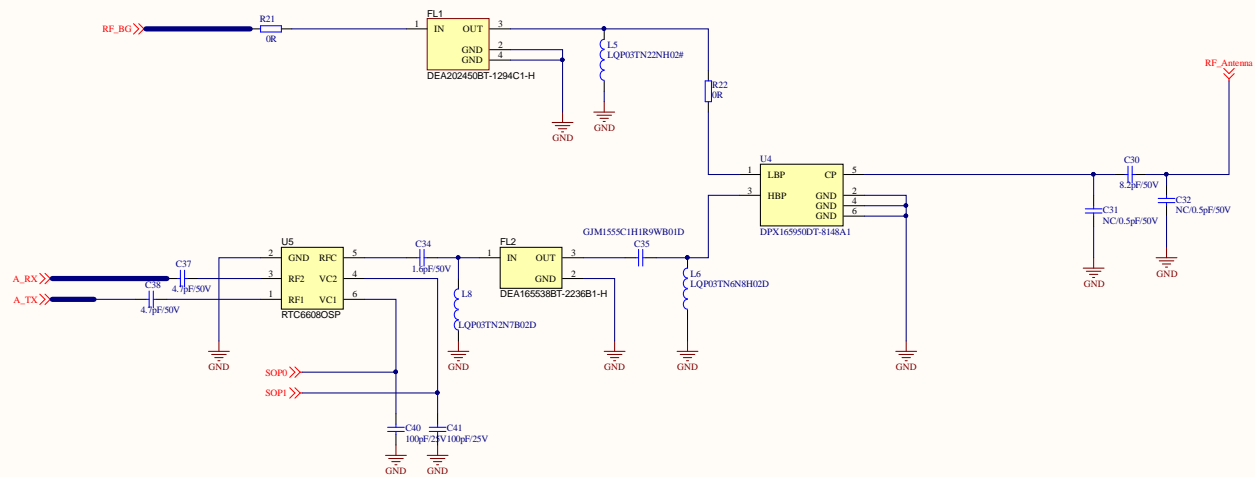


For the CC3235SF device, R9 is not populated. For the CC3235S device if R9 is populated, Pm-45 can be used as GPIO_31.

For the CC3235SF device, L4 is not populated. For the CC3235S device, L4 is populated. L4 需要选择电流0.7A及以上，内阻0.364欧及以下，封装2520



Comment	Description	Designator	Footprint	LibRef	Quantity
4.7uF/6.3V	4.7uF/6.3V/20%/X5R	C1, C2, C4	0402C_0.4D	1405000484	3
0.6pF/50V	0.6pF/25V/+/-0.1pF/COG	C3, C14, C27	0201_0.25D	1405001131	3
0.5pF/50V	0.5pF/50V/0.1pF/COG	C5	0201_0.25D	1405001109	1
0.1uF/10V	0.1uF/10V/10%/X5R	C6, C7, C9, C13, C19, C20, C22, C23	0201_0.25D	1405000947	8
10nF/10V	10nF/10V/10%/X7R	C8	0201_0.25D	1405000811	1
10uF/10V	10uF/10V/20%/X5R	C10, C18, C21	0402C_0.4D	1405001308	3
0.1uF/16V	0.1uF/10V/10%/X5R	C11	0201_0.25D	1405000947	1
0.2pF/50V	0.2pF/50V/+/-0.1pF/HCC	C12	0201_0.25D	1405001196	1
22uF/10V	22uF/10V/20%/X5R	C15, C16	0603C_0.6D	1405001346	2
1uF/6.3V	1uF/6.3V/20%/X5R	C17	0201_0.25D	1405002136	1
10pF/50V	10pF/50V/5%/COG	C24, C25	0201_0.25D	1405001344	2
6.2pF/50V	6.2pF/50V/0.1pF/COG	C26, C28	0201_0.25D	1405002121	2
8.2pF/50V	8.2pF/50V/0.1pF/COG	C30	0201_0.25D	1405002439	1
NC/0.5pF/50V	0.5pF/50V/0.1pF/COG	C31, C32	0201_0.25D	1405001109	2
1.6pF/50V	1.6pF/50V/0.1pF/COG	C34	0201_0.25D	1405002142	1
CAP-NP		C35	0201_0.25D	CAP-NP	1
4.7pF/50V	4.7pF/50V/+/-0.25pF/COG	C37, C38	0201_0.25D	1405001045	2
100pF/25V	100pF/25V/5%/COG	C40, C41	0201_0.25D	1405000546	2
CMP-0002039-2	Multilayer Chip Band Pass Filter For 2.4GHz WLAN/Bluetooth, SMD	FL1	DFN4-2X1.25_DEA202450BT	CMP-0002039-2	1
CMP-0002038-2	Multilayer Band Pass Filter For 5GHz WLAN/LTE-U	FL2	DFN3-1.6X0.8_DEA165538BT-2236B1-H	CMP-0002038-2	1
2.2uH/1.2A/0.11R	2.2uH/30%	L1, L3	0806L_0.6D	1404000286	2
1uH/1.6A/0.055R	1uH/20%/2.9A/0.06Ω	L2	WIP201610P-1R0ML	1404002051	1
MLP2520S100MTOS1	10uH/20%/0.25A/0.5Ω	L4	2520-L	1404000540	1
L	22nH/3%, 6.8nH/3%/300mA, 2.7nH/0.1nH	L5, L6, L8	0201_0.25D	1404000911, 1404000587, 1404000353	3
100K/5%	100K/5%	R2, R5, R6, R7, R24	0201_0.25D	1408005685	5
RES		R9, R13, R14, R18, R19	0201_0.25D	RES	5
OR	OR	R21, R22	0201_0.25D	1408001400	2
TI shielding		SC1	19.5X16.5X2.2_LSD1WFC1073-01D0	TI shielding	1
TI CC31XX module		U1	LSD1WFC1073-01D0_BOT	TI CC3100 module_9	1
MX25R1635FZ UILO	4M bit	U2	USON8(0.5)-2X3	1403001012	1
CC3235SF12R GKR	SimpleLink Wi-Fi and Internet-of-Things Solution, a Single-Chip Wireless MCU, RGK0064B (VOFN-64)	U3	QFN64(0.5)-9X9-2	CC3235SF	1
DPX165950DT-8148A1		U4	FB1608(0.55)-1.6X0.8	DPX165950DT-8148A1	1
RTC6608OSP	0.03 GHz-6 GHz SPDT Switch	U5	DFN6-1X1	CMP-0065464-1	1
CRYSTAL-2P		Y1	2012	CRYSTAL-2P	1
CRYSTAL-4P		Y2	2016	CRYSTAL-4P	1