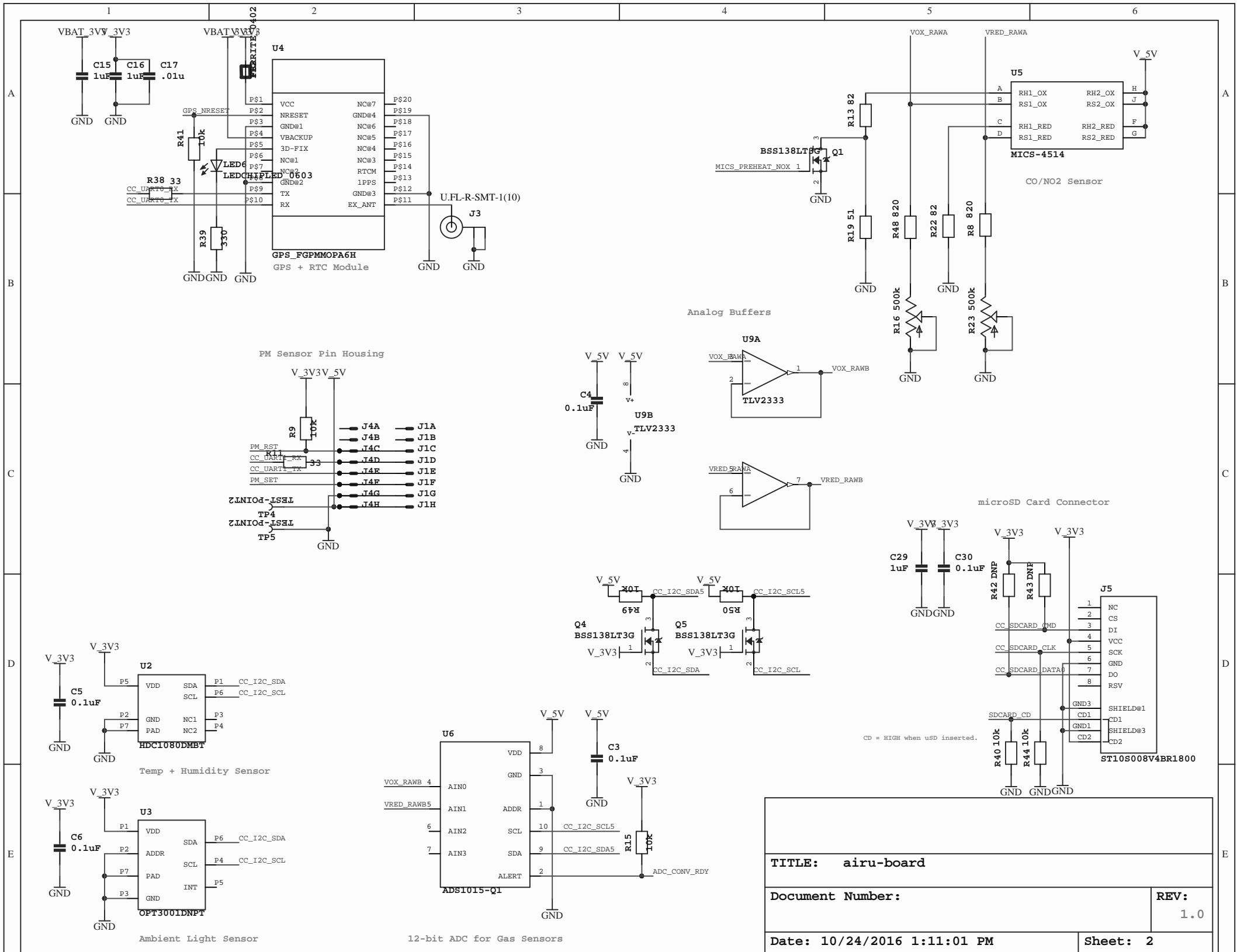
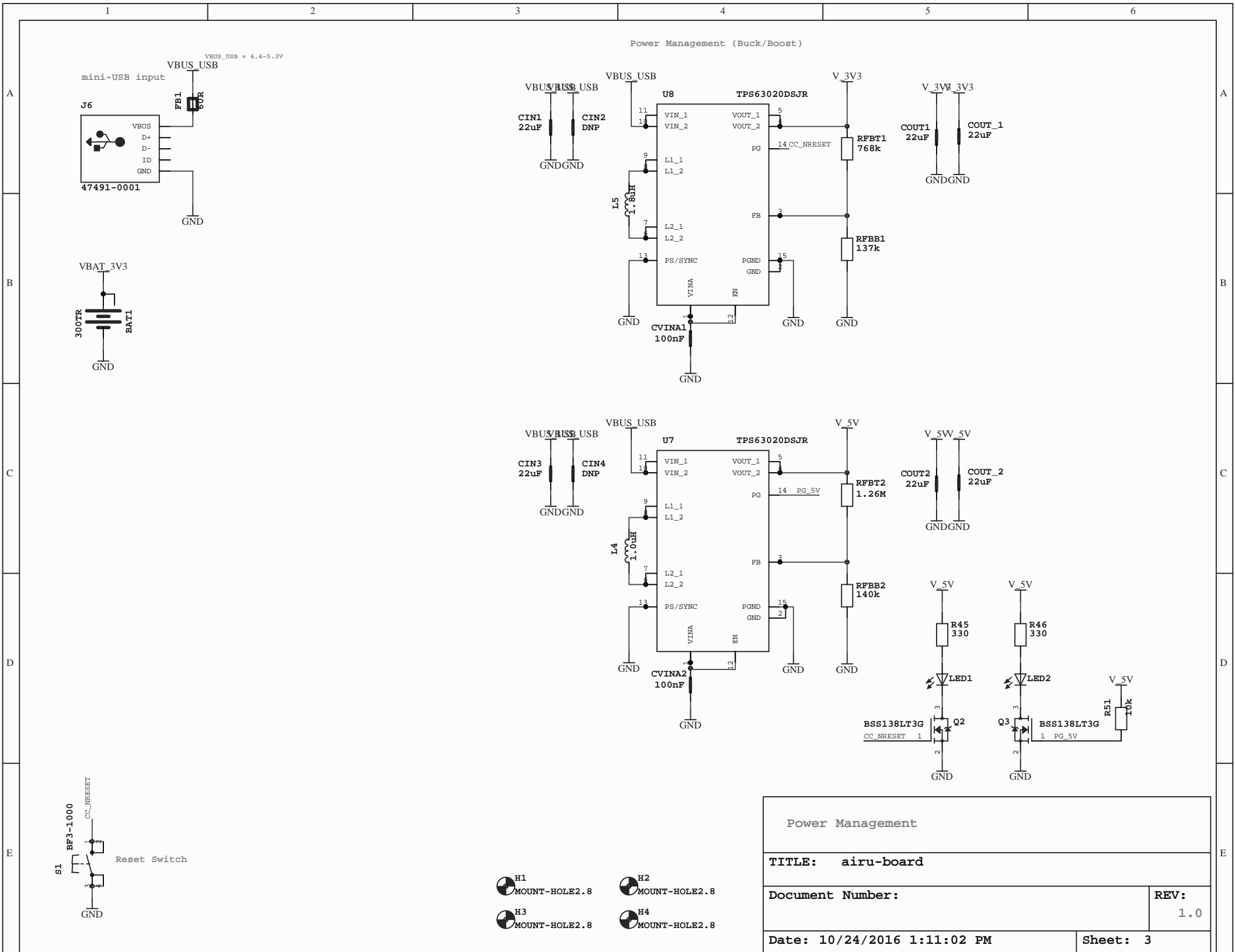


MCU + Wireless RF	
TITLE: airu-board	
Document Number:	REV: 1.0
Date: 10/24/2016 1:11:00 PM	Sheet: 1



TITLE: airu-board	
Document Number:	REV: 1.0
Date: 10/24/2016 1:11:01 PM	Sheet: 2



Power Management	
TITLE: airu-board	
Document Number:	REV: 1.0
Date: 10/24/2016 1:11:02 PM	Sheet: 3