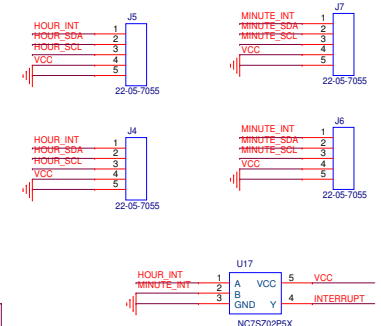


ONLY ONE FLASH USED ON BOARD



Title			
<Title>			
Size	Document Number	Rev	
C	<Doc>	<Rev Code>	
Date:	Wednesday, October 21, 2015	Sheet	1 of 1