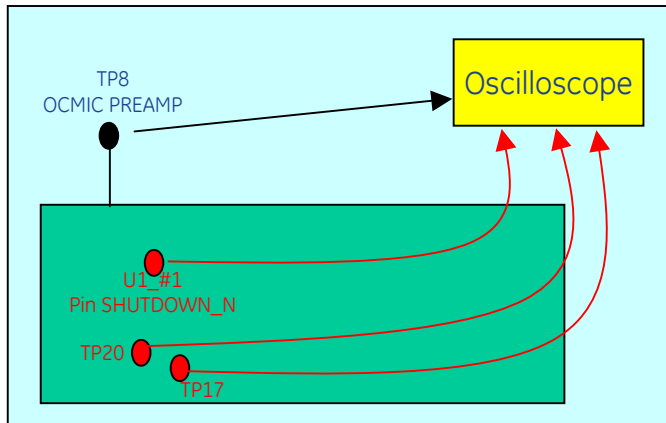


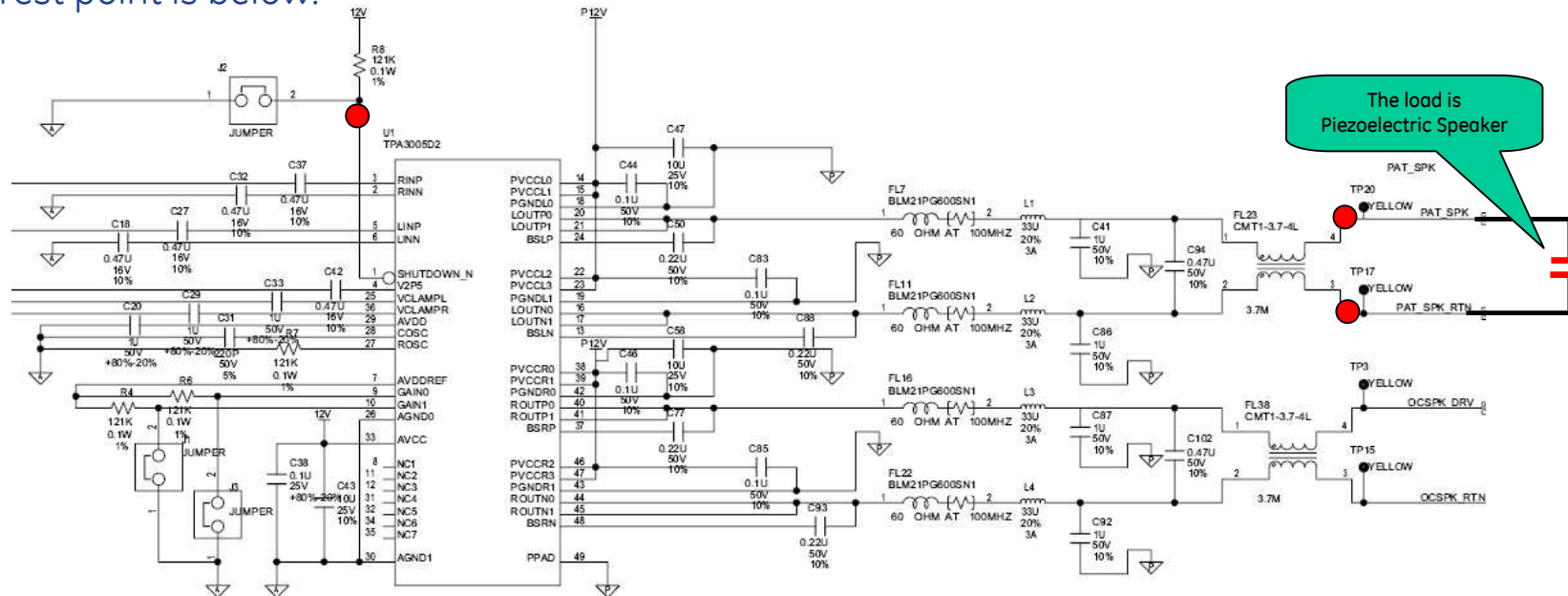
# Required equipment

1. Oscilloscope(Agilent DSO5054A)

## Measurement system



Test point is below:



# Test data



Operation:  
When this issue occurs, the output is disabled. Power off and then Power on. The board output is recovered.



My question:

1. Because TPA3005d2 load impedance should be more than 6 ohm, piezoelectric speaker is capacitance load, is it OK in my application?
2. When the output bias voltage is dropped from 6 VDC to 0V, the output is disabled, but the SHUTDOWN\_N PIN is still high. Why?
3. How much about the SHUTDOWN\_N pin input impedance? I used R8 121kohm, is it OK?(I refer to TPA3005D2EVM board)