

Ground Loop Break with TPA613xA2 and DRV602/3

Stephen Crump

27 September 2011

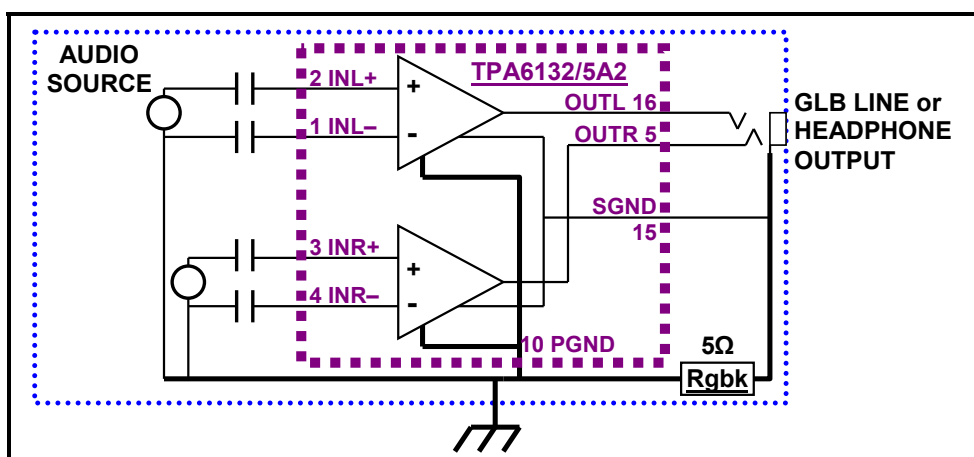
Audio and Imaging Products

SLOA143 describes ground loop break circuitry in detail, focusing on TPA6132A2. Please refer to that paper for full background. This short paper adds specific pinouts for other ICs, including TPA6132A2, TPA6135A2, TPA6136A2, TPA6138A2, DRV602 and DRV603. As in SLOA143, power supply, charge pump and logic pins and circuits are omitted for simplicity (refer to data sheets and EVM users guides).

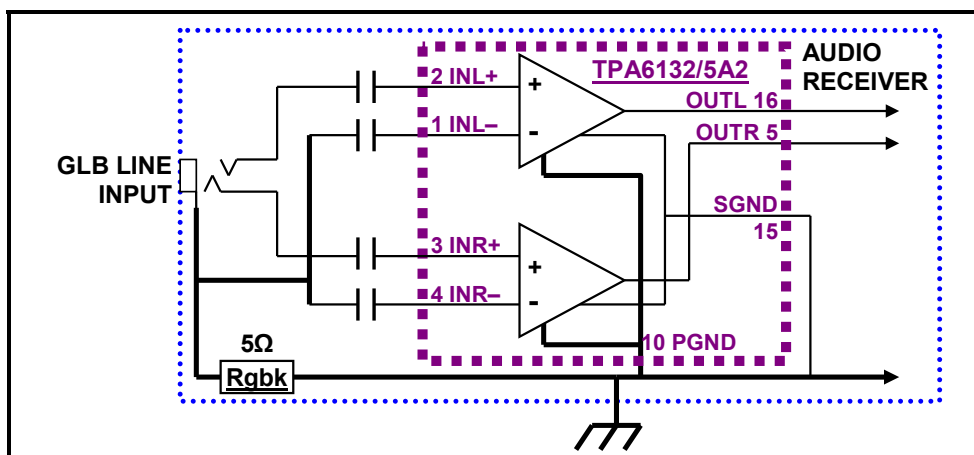
Input phase may be reversed in any of these circuits if preferred.

GLB CIRCUITS IMPLEMENTED WITH TPA6132A2 and TPA6135A2

The following schematic illustrates a GLB output for driving line inputs or headphones.

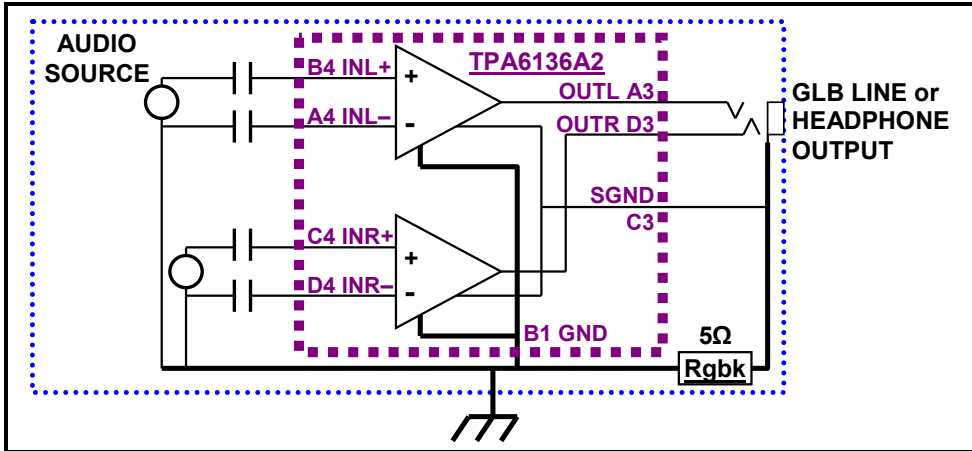


The following schematic illustrates a GLB input for receiving line outputs.

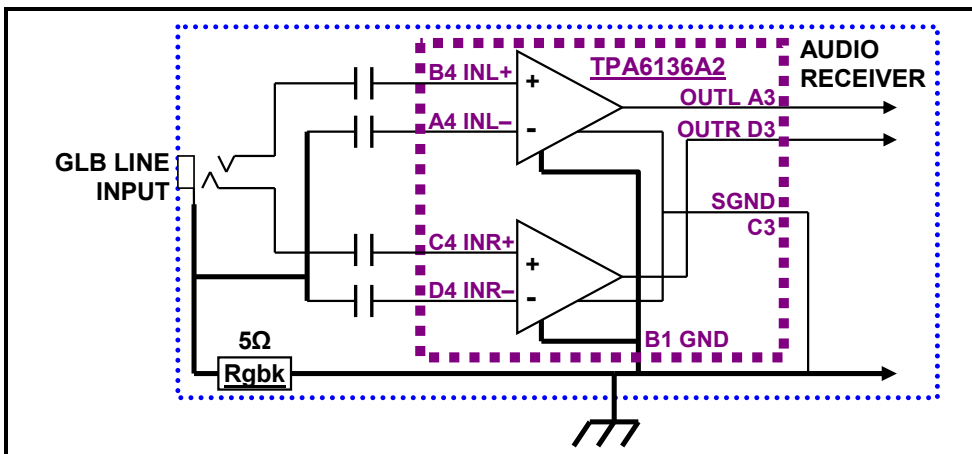


GLB CIRCUITS IMPLEMENTED WITH TPA6136A2

The following schematic illustrates a GLB output for driving line inputs or headphones.

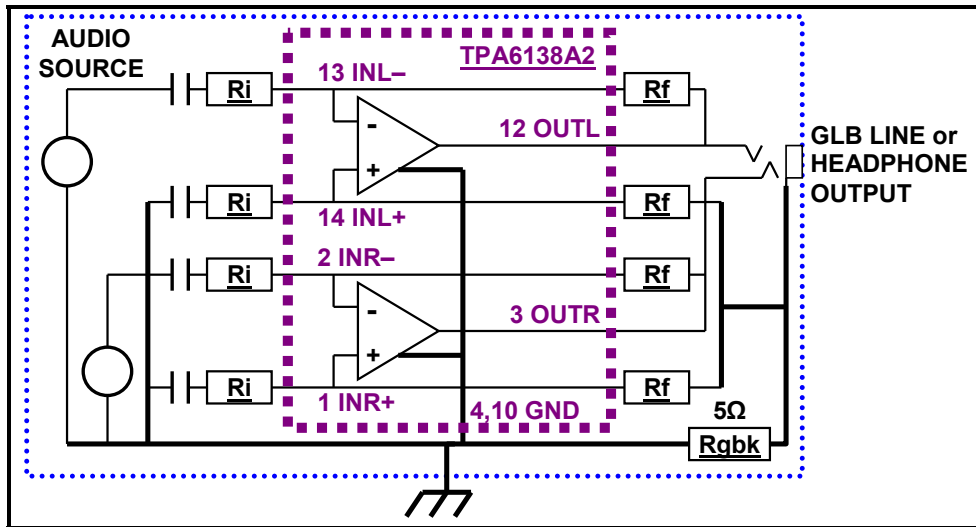


The following schematic illustrates a GLB input for receiving line outputs.

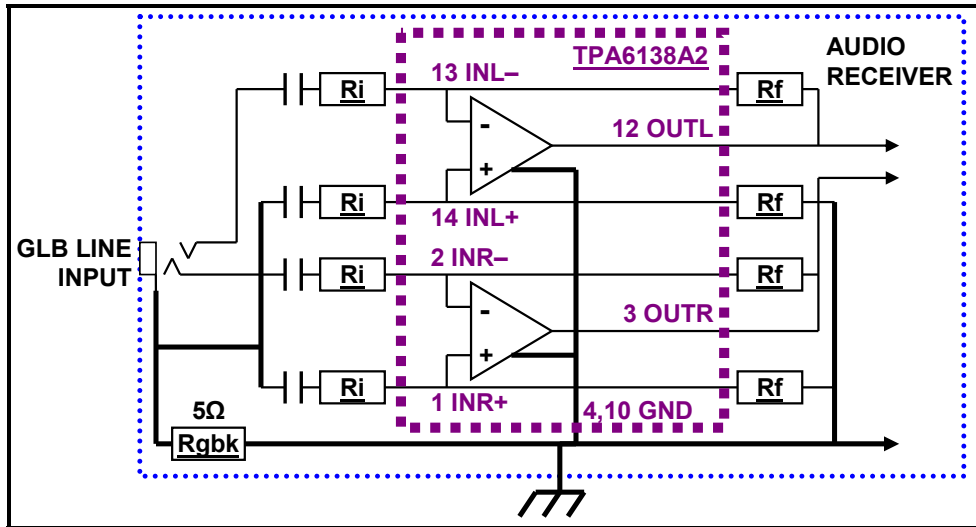


GLB CIRCUITS IMPLEMENTED WITH TPA6138A2

The following schematic illustrates a GLB output for driving line inputs or headphones.

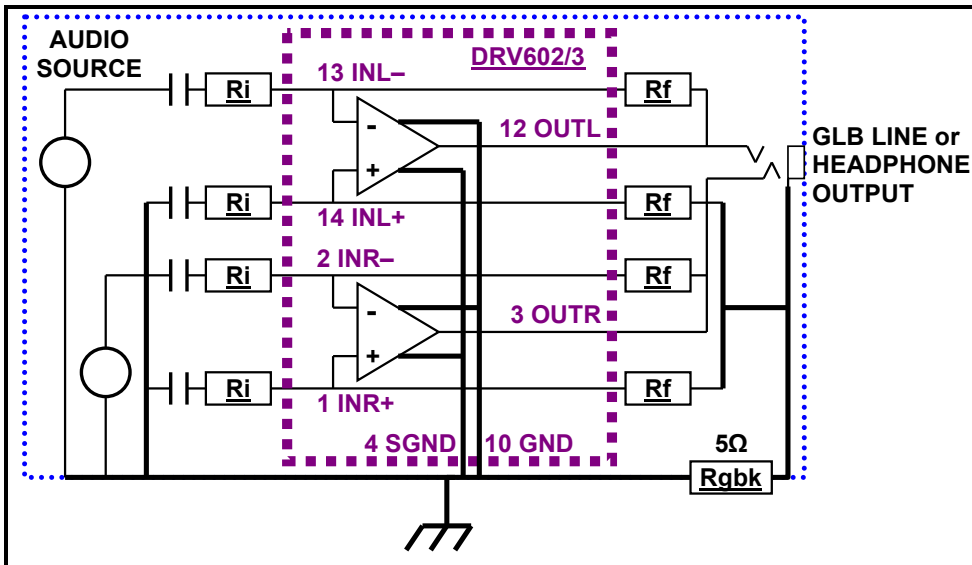


The following schematic illustrates a GLB input for receiving line outputs.



GLB CIRCUITS IMPLEMENTED WITH DRV602 and DRV603

The following schematic illustrates a GLB output for driving line inputs or headphones.



The following schematic illustrates a GLB input for receiving line outputs.

