

REVISION RECORD			
LTR	ECO NO.	APPROVED:	DATE:

D

D

C

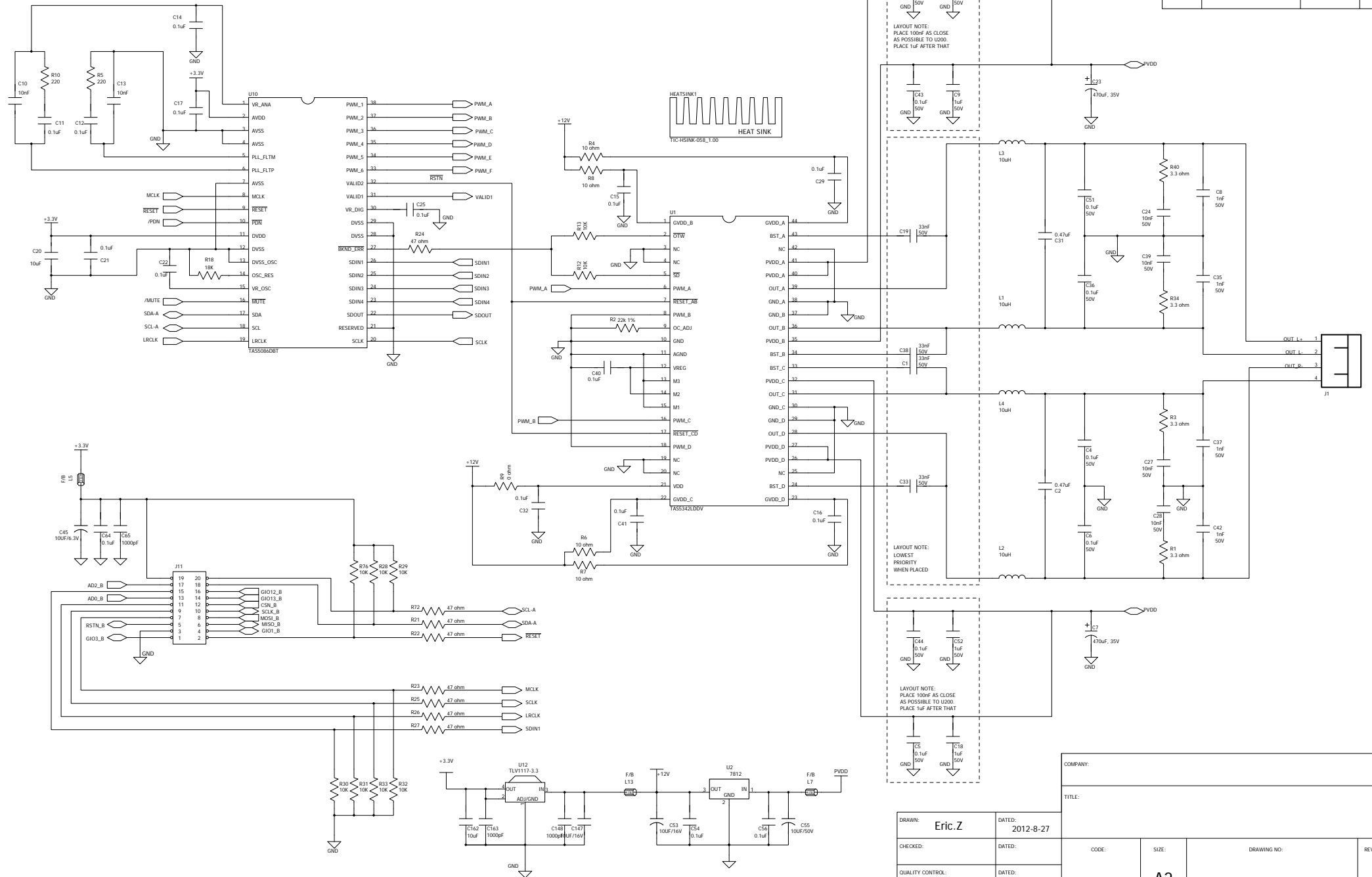
C

B

B

A

A



LAYOUT NOTE:  
PLACE 100nF AS CLOSE AS POSSIBLE TO U200.  
PLACE 1uF AFTER THAT

LAYOUT NOTE:  
LOWEST PRIORITY WHEN PLACED

LAYOUT NOTE:  
PLACE 100nF AS CLOSE AS POSSIBLE TO U200.  
PLACE 1uF AFTER THAT

COMPANY:		DRAWN: Eric.Z		DATED: 2012-8-27	
TITLE:		CHECKED:		DATED:	
CODE:		QUALITY CONTROL:		DATED:	
SIZE: A2		RELEASED:		DATED:	
DRAWING NO.:		SCALE:		SHEET: 2	