

# LM61


## 2.7V, SOT-23 or TO-92 Temperature Sensor

### General Description

The LM61 is a precision integrated-circuit temperature sensor that can sense a  $-30^{\circ}\text{C}$  to  $+100^{\circ}\text{C}$  temperature range while operating from a single  $+2.7\text{V}$  supply. The LM61's output voltage is linearly proportional to Celsius (Centigrade) temperature ( $+10\text{ mV}/^{\circ}\text{C}$ ) and has a DC offset of  $+600\text{ mV}$ . The offset allows reading negative temperatures without the need for a negative supply. The nominal output voltage of the LM61 ranges from  $+300\text{ mV}$  to  $+1600\text{ mV}$  for a  $-30^{\circ}\text{C}$  to  $+100^{\circ}\text{C}$  temperature range. The LM61 is calibrated to provide accuracies of  $\pm 2.0^{\circ}\text{C}$  at room temperature and  $\pm 3^{\circ}\text{C}$  over the full  $-25^{\circ}\text{C}$  to  $+85^{\circ}\text{C}$  temperature range.

The LM61's linear output,  $+600\text{ mV}$  offset, and factory calibration simplify external circuitry required in a single supply environment where reading negative temperatures is required. Because the LM61's quiescent current is less than  $125\text{ }\mu\text{A}$ , self-heating is limited to a very low  $0.2^{\circ}\text{C}$  in still air. Shutdown capability for the LM61 is intrinsic because its inherent low power consumption allows it to be powered directly from the output of many logic gates.

### Features

- Calibrated linear scale factor of  $+10\text{ mV}/^{\circ}\text{C}$
- Rated for full  $-30^{\circ}$  to  $+100^{\circ}\text{C}$  range
- Suitable for remote applications
- UL Recognized Component 

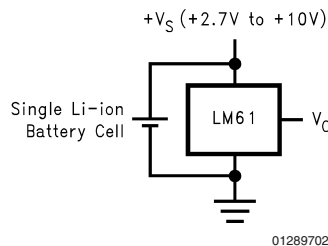
### Applications

- Cellular Phones
- Computers
- Power Supply Modules
- Battery Management
- FAX Machines
- Printers
- HVAC
- Disk Drives
- Appliances

### Key Specifications

■ Accuracy at $25^{\circ}\text{C}$	$\pm 2.0$ or $\pm 3.0^{\circ}\text{C}$ (max)
■ Accuracy for $-30^{\circ}\text{C}$ to $+100^{\circ}\text{C}$	$\pm 4.0^{\circ}\text{C}$ (max)
■ Accuracy for $-25^{\circ}\text{C}$ to $+85^{\circ}\text{C}$	$\pm 3.0^{\circ}\text{C}$ (max)
■ Temperature Slope	$+10\text{ mV}/^{\circ}\text{C}$
■ Power Supply Voltage Range	$+2.7\text{V}$ to $+10\text{V}$
■ Current Drain @ $25^{\circ}\text{C}$	$125\text{ }\mu\text{A}$ (max)
■ Nonlinearity	$\pm 0.8^{\circ}\text{C}$ (max)
■ Output Impedance	$800\text{ }\Omega$ (max)

### Typical Application

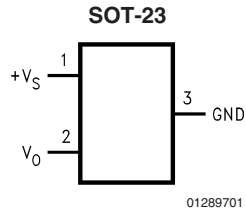


$$V_O = (+10\text{ mV}/^{\circ}\text{C} \times T\text{ }^{\circ}\text{C}) + 600\text{ mV}$$

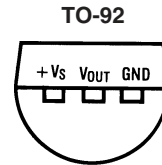
Temperature (T)	Typical $V_O$
$+100^{\circ}\text{C}$	$+1600\text{ mV}$
$+85^{\circ}\text{C}$	$+1450\text{ mV}$
$+25^{\circ}\text{C}$	$+850\text{ mV}$
$0^{\circ}\text{C}$	$+600\text{ mV}$
$-25^{\circ}\text{C}$	$+350\text{ mV}$
$-30^{\circ}\text{C}$	$+300\text{ mV}$

**FIGURE 1. Full-Range Centigrade Temperature Sensor ( $-30^{\circ}\text{C}$  to  $+100^{\circ}\text{C}$ ) Operating from a Single Li-Ion Battery Cell**

## Connection Diagrams



**Top View**  
See NS Package Number MA03B



**BOTTOM VIEW**  
See NS Package Number Z03A

## Ordering Information

Order Number	Device Marking	Supplied In	Accuracy Over Specified Temperature Range (°C)	Specified Temperature Range	Package Type
LM61BIM3	T1B	1000 Units on Tape and Reel	± 3	-25°C to +85°C	SOT-23
LM61BIM3X	T1B	3000 Units on Tape and Reel			
LM61CIM3	T1C	1000 Units on Tape and Reel	± 4	-30°C to +100°C	
LM61CIM3X	T1C	3000 Units on Tape and Reel			
LM61BIZ	LM61BIZ	Bulk	± 3	-25°C to +85°C	TO-92
LM61CIZ	LM61CIZ	Bulk	± 4	-30°C to +100°C	

**Absolute Maximum Ratings** (Note 1)

Supply Voltage	+12V to -0.2V
Output Voltage	(+V <sub>S</sub> + 0.6V) to -0.6V
Output Current	10 mA
Input Current at any pin (Note 2)	5 mA
Storage Temperature	-65°C to +150°C
Maximum Junction Temperature (T <sub>JMAX</sub> )	+125°C
ESD Susceptibility (Note 3) :	
Human Body Model	2500V
Machine Model	250V
Lead Temperature:	
TO-92 Package:	

Soldering (10 seconds)	+260°C
SOT-23 Package (Note 4):	
Vapor Phase (60 seconds)	+215°C
Infrared (15 seconds)	+220°C

**Operating Ratings**(Note 1)

Specified Temperature Range:	<b>T<sub>MIN</sub> ≤ T<sub>A</sub> ≤ T<sub>MAX</sub></b>
LM61C	-30°C ≤ T <sub>A</sub> ≤ +100°C
LM61B	-25°C ≤ T <sub>A</sub> ≤ +85°C
Supply Voltage Range (+V <sub>S</sub> )	+2.7V to +10V
Thermal Resistance, θ <sub>JA</sub> (Note 5)	
SOT-23	450°C/W
TO-92	180°C/W

**Electrical Characteristics**

Unless otherwise noted, these specifications apply for +V<sub>S</sub> = +3.0 V<sub>DC</sub>. **Boldface limits apply for T<sub>A</sub> = T<sub>J</sub> = T<sub>MIN</sub> to T<sub>MAX</sub>** ; all other limits T<sub>A</sub> = T<sub>J</sub> = 25°C.

Parameter	Conditions	Typical (Note 6)	LM61B	LM61C	Units (Limit)
			Limits (Note 7)	Limits (Note 7)	
Accuracy (Note 8)			±2.0	±3.0	°C (max)
			<b>±3.0</b>	<b>±4.0</b>	°C (max)
Output Voltage at 0°C		+600			mV
Nonlinearity (Note 9)			<b>±0.6</b>	<b>±0.8</b>	°C (max)
Sensor Gain (Average Slope)		+10	<b>+9.7</b>	<b>+9.6</b>	mV/°C (min)
			<b>+10.3</b>	<b>+10.4</b>	mV/°C (max)
Output Impedance	+3.0V ≤ +V <sub>S</sub> ≤ +10V -30°C ≤ T <sub>A</sub> ≤ +85°C, +V <sub>S</sub> = +2.7V +85°C ≤ T <sub>A</sub> ≤ +100°C, +V <sub>S</sub> = +2.7V		<b>0.8</b>	<b>0.8</b>	kΩ (max)
			<b>2.3</b>	<b>2.3</b>	kΩ (max)
			<b>5</b>	<b>5</b>	kΩ (max)
Line Regulation (Note 10)	+3.0V ≤ +V <sub>S</sub> ≤ +10V +2.7V ≤ +V <sub>S</sub> ≤ +3.3V		<b>±0.7</b>	<b>±0.7</b>	mV/V (max)
			<b>±5.7</b>	<b>±5.7</b>	mV (max)
Quiescent Current	+2.7V ≤ +V <sub>S</sub> ≤ +10V	82	125	125	μA (max)
			<b>155</b>	<b>155</b>	μA (max)
Change of Quiescent Current	+2.7V ≤ +V <sub>S</sub> ≤ +10V	±5			μA
Temperature Coefficient of Quiescent Current		0.2			μA/°C
Long Term Stability (Note 11)	T <sub>J</sub> =T <sub>MAX</sub> =+100°C, for 1000 hours	±0.2			°C

**Note 1:** Absolute Maximum Ratings indicate limits beyond which damage to the device may occur. Operating Ratings indicate conditions for which the device is functional, but do not guarantee specific performance limits. For guaranteed specifications and test conditions, see the Electrical Characteristics. The guaranteed specifications apply only for the test conditions listed. Some performance characteristics may degrade when the device is not operated under the listed test conditions.

**Note 2:** When the input voltage (V<sub>I</sub>) at any pin exceeds power supplies (V<sub>I</sub> < GND or V<sub>I</sub> > +V<sub>S</sub>), the current at that pin should be limited to 5 mA.

**Note 3:** The human body model is a 100 pF capacitor discharged through a 1.5 kΩ resistor into each pin. The machine model is a 200 pF capacitor discharged directly into each pin.

**Note 4:** See AN-450 "Surface Mounting Methods and Their Effect on Product Reliability" or the section titled "Surface Mount" found in any post 1986 National Semiconductor Linear Data Book for other methods of soldering surface mount devices.

**Note 5:** The junction to ambient thermal resistance (θ<sub>JA</sub>) is specified without a heat sink in still air.

**Note 6:** Typicals are at T<sub>J</sub> = T<sub>A</sub> = 25°C and represent most likely parametric norm.

**Note 7:** Limits are guaranteed to National's AOQL (Average Outgoing Quality Level).

**Note 8:** Accuracy is defined as the error between the output voltage and +10 mV/°C times the device's case temperature plus 600 mV, at specified conditions of voltage, current, and temperature (expressed in °C).

**Note 9:** Nonlinearity is defined as the deviation of the output-voltage-versus-temperature curve from the best-fit straight line, over the device's rated temperature range.

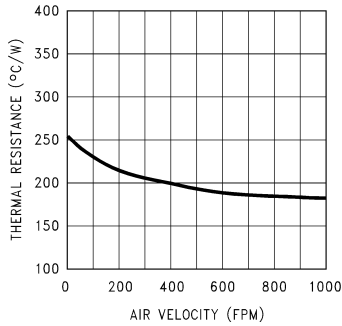
## Electrical Characteristics (Continued)

**Note 10:** Regulation is measured at constant junction temperature, using pulse testing with a low duty cycle. Changes in output due to heating effects can be computed by multiplying the internal dissipation by the thermal resistance.

**Note 11:** For best long-term stability, any precision circuit will give best results if the unit is aged at a warm temperature, and/or temperature cycled for at least 46 hours before long-term life test begins. This is especially true when a small (Surface-Mount) part is wave-soldered; allow time for stress relaxation to occur. The majority of the drift will occur in the first 1000 hours at elevated temperatures. The drift after 1000 hours will not continue at the first 1000 hour rate.

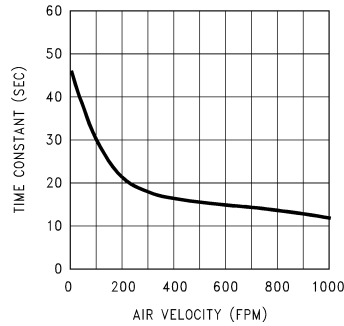
**Typical Performance Characteristics** The LM61 in the SOT-23 package mounted to a printed circuit board as shown in *Figure 2* was used to generate the following thermal curves.

**Thermal Resistance Junction to Air**



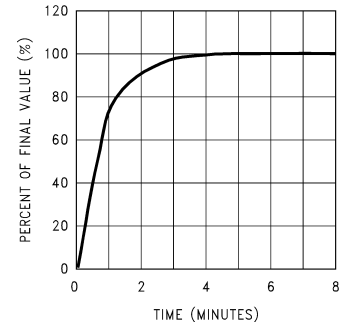
01289703

**Thermal Time Constant**



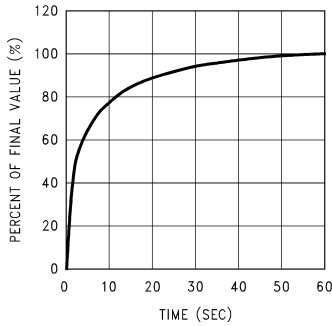
01289704

**Thermal Response in Still Air with Heat Sink**



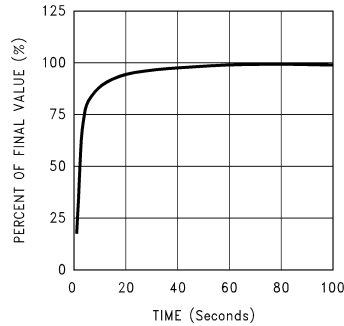
01289705

**Thermal Response in Stirred Oil Bath with Heat Sink**



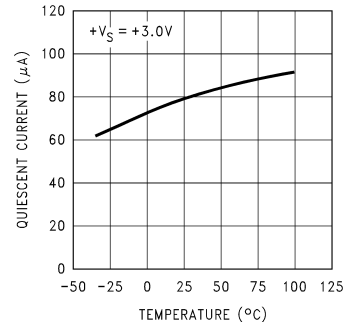
01289706

**Thermal Response in Still Air without a Heat Sink**



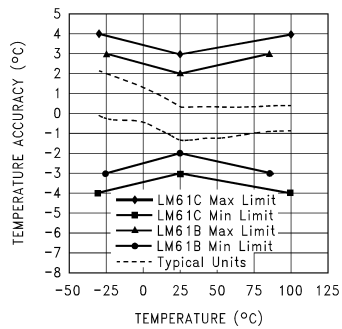
01289708

**Quiescent Current vs. Temperature**



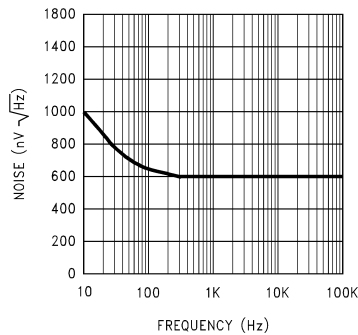
01289709

**Accuracy vs Temperature**



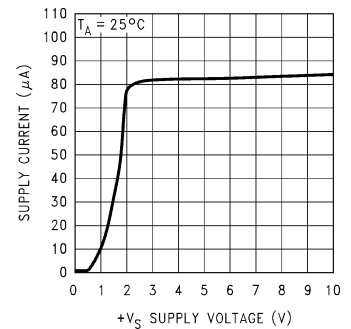
01289710

**Noise Voltage**



01289711

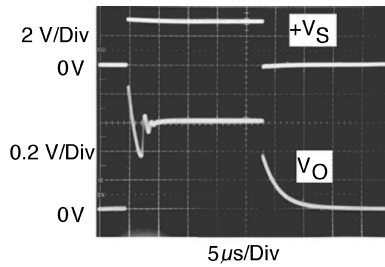
**Supply Voltage vs Supply Current**



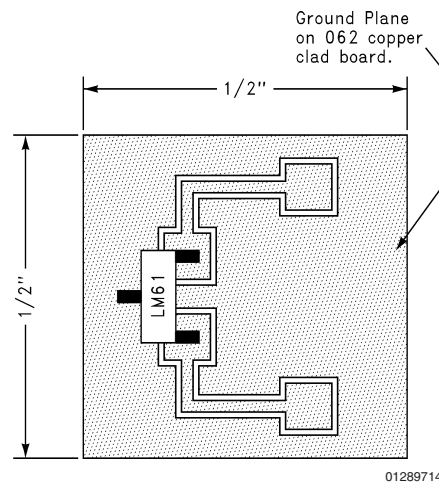
01289712

**Typical Performance Characteristics** The LM61 in the SOT-23 package mounted to a printed circuit board as shown in *Figure 2* was used to generate the following thermal curves. (Continued)

### Start-Up Response



01289722



01289714

**FIGURE 2. Printed Circuit Board Used for Heat Sink to Generate All Curves.**  
**1/2" Square Printed Circuit Board with 2 oz. Copper Foil or Similar.**

## 1.0 Mounting

The LM61 can be applied easily in the same way as other integrated-circuit temperature sensors. It can be glued or cemented to a surface. The temperature that the LM61 is sensing will be within about  $+0.2^{\circ}\text{C}$  of the surface temperature that LM61's leads are attached to.

This presumes that the ambient air temperature is almost the same as the surface temperature; if the air temperature were much higher or lower than the surface temperature, the actual temperature measured would be at an intermediate temperature between the surface temperature and the air temperature.

To ensure good thermal conductivity the backside of the LM61 die is directly attached to the GND pin. The lands and traces to the LM61 will, of course, be part of the printed circuit board, which is the object whose temperature is being measured.

Alternatively, the LM61 can be mounted inside a sealed-end metal tube, and can then be dipped into a bath or screwed into a threaded hole in a tank. As with any IC, the LM61 and

accompanying wiring and circuits must be kept insulated and dry, to avoid leakage and corrosion. This is especially true if the circuit may operate at cold temperatures where condensation can occur. Printed-circuit coatings and varnishes such as Humiseal and epoxy paints or dips are often used to ensure that moisture cannot corrode the LM61 or its connections.

The thermal resistance junction to ambient ( $\theta_{JA}$ ) is the parameter used to calculate the rise of a device junction temperature due to its power dissipation. For the LM61 the equation used to calculate the rise in the die temperature is as follows:

$$T_J = T_A + \theta_{JA} [(+V_S I_Q) + (+V_S - V_O) I_L]$$

where  $I_Q$  is the quiescent current and  $I_L$  is the load current on the output. Since the LM61's junction temperature is the actual temperature being measured care should be taken to minimize the load current that the LM61 is required to drive.

The table shown in *Figure 3* summarizes the rise in die temperature of the LM61 without any loading with a 3.3V supply, and the thermal resistance for different conditions.

## 1.0 Mounting (Continued)

	SOT-23*		SOT-23**		TO-92*		TO-92***	
	no heat sink		small heat fin		no heat sink		small heat fin	
	$\theta_{JA}$ (°C/W)	$T_J - T_A$ (°C)	$\theta_{JA}$ (°C/W)	$T_J - T_A$ (°C)	$\theta_{JA}$ (°C/W)	$T_J - T_A$ (°C)	$\theta_{JA}$ (°C/W)	$T_J - T_A$ (°C)
Still air	450	0.26	260	0.13	180	0.09	140	0.07
Moving air			180	0.09	90	0.05	70	0.03

\*Part soldered to 30 gauge wire.

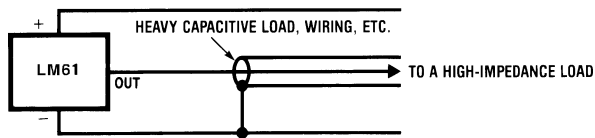
\*\*Heat sink used is 1/2" square printed circuit board with 2 oz. foil with part attached as shown in *Figure 2*.

\*\*\*Part glued and leads soldered to 1" square of 1/16" printed circuit board with 2oz. foil or similar.

**FIGURE 3. Temperature Rise of LM61 Due to Self-Heating and Thermal Resistance ( $\theta_{JA}$ )**

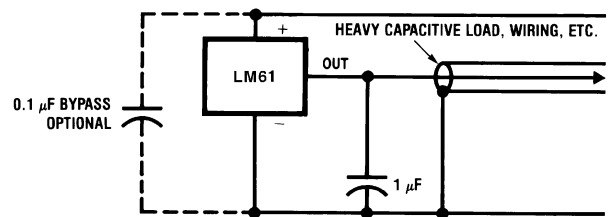
## 2.0 Capacitive Loads

The LM61 handles capacitive loading well. Without any special precautions, the LM61 can drive any capacitive load as shown in *Figure 4*. Over the specified temperature range the LM61 has a maximum output impedance of 5 k $\Omega$ . In an extremely noisy environment it may be necessary to add some filtering to minimize noise pickup. It is recommended that 0.1  $\mu$ F be added from +V<sub>S</sub> to GND to bypass the power supply voltage, as shown in *Figure 5*. In a noisy environment it may be necessary to add a capacitor from the output to ground. A 1  $\mu$ F output capacitor with the 5 k $\Omega$  maximum output impedance will form a 32 Hz lowpass filter. Since the thermal time constant of the LM61 is much slower than the 5 ms time constant formed by the RC, the overall response time of the LM61 will not be significantly affected. For much larger capacitors this additional time lag will increase the overall response time of the LM61.



01289715

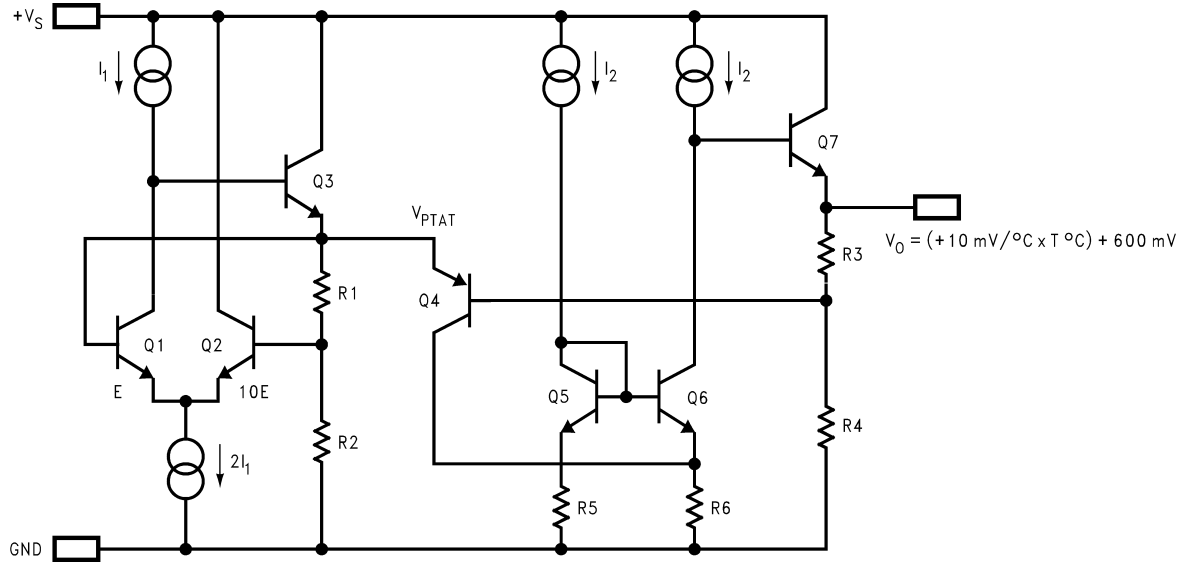
**FIGURE 4. LM61 No Decoupling Required for Capacitive Load**



01289716

**FIGURE 5. LM61 with Filter for Noisy Environment**

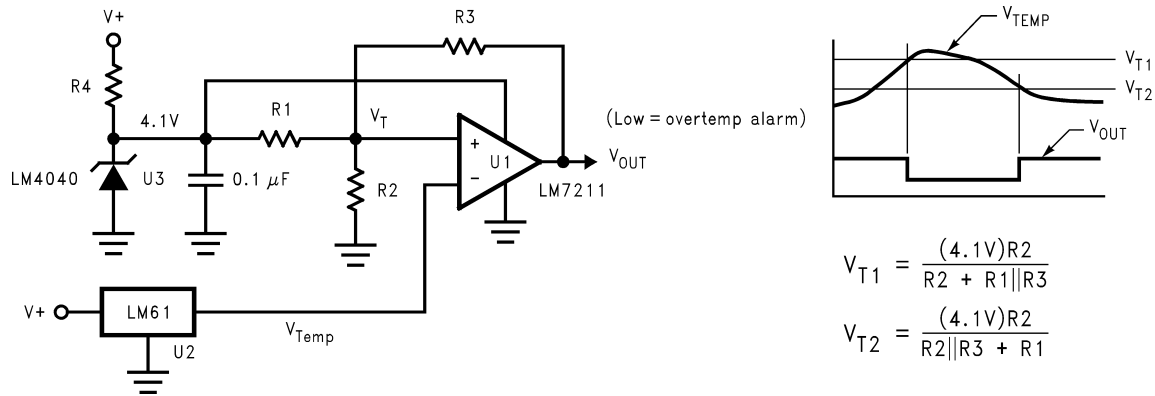
## 2.0 Capacitive Loads (Continued)



01289717

FIGURE 6. Simplified Schematic

## 3.0 Applications Circuits

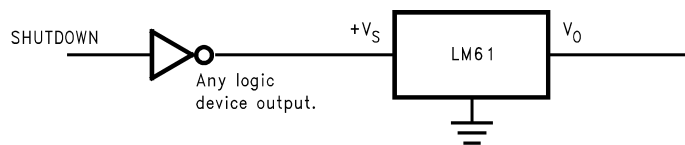


01289718

$$V_{T1} = \frac{(4.1V) R2}{R2 + R1 || R3}$$

$$V_{T2} = \frac{(4.1V) R2}{R2 || R3 + R1}$$

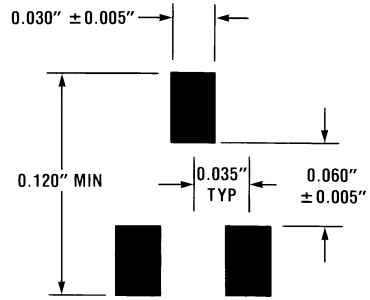
FIGURE 7. Centigrade Thermostat



01289719

FIGURE 8. Conserving Power Dissipation with Shutdown

## 4.0 Recommended Solder Pads for SOT-23 Package

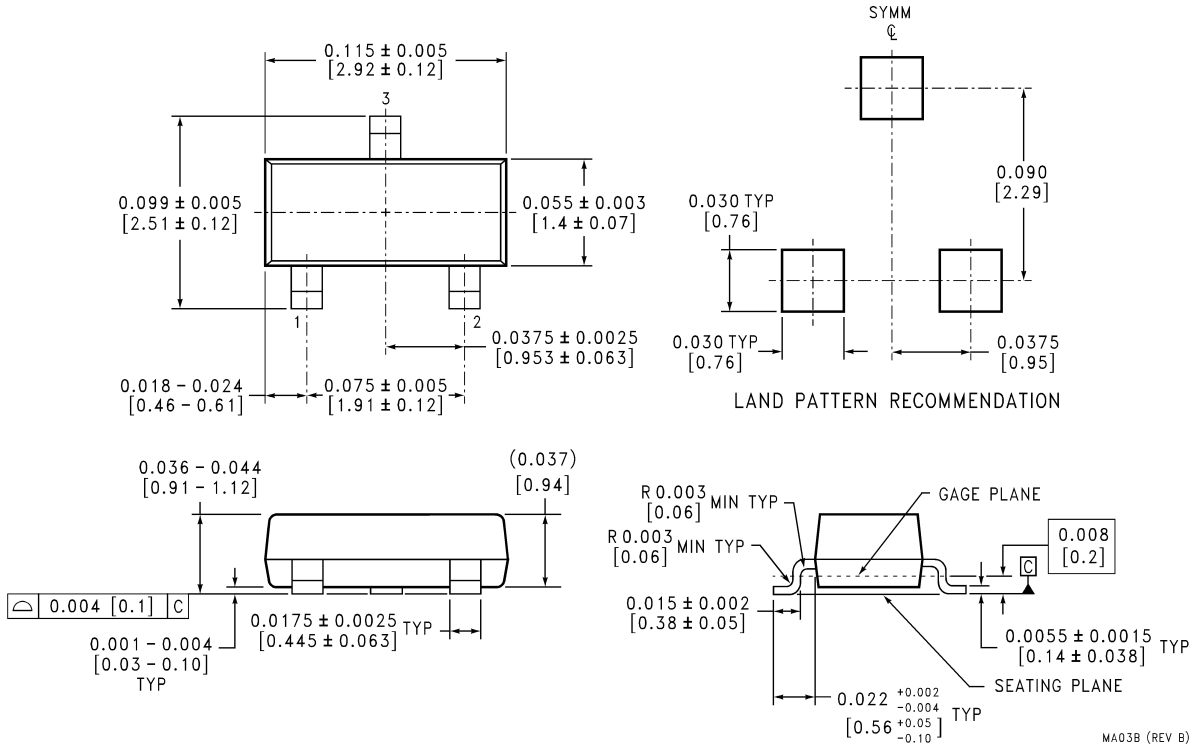


01289720



**Physical Dimensions** inches (millimeters)

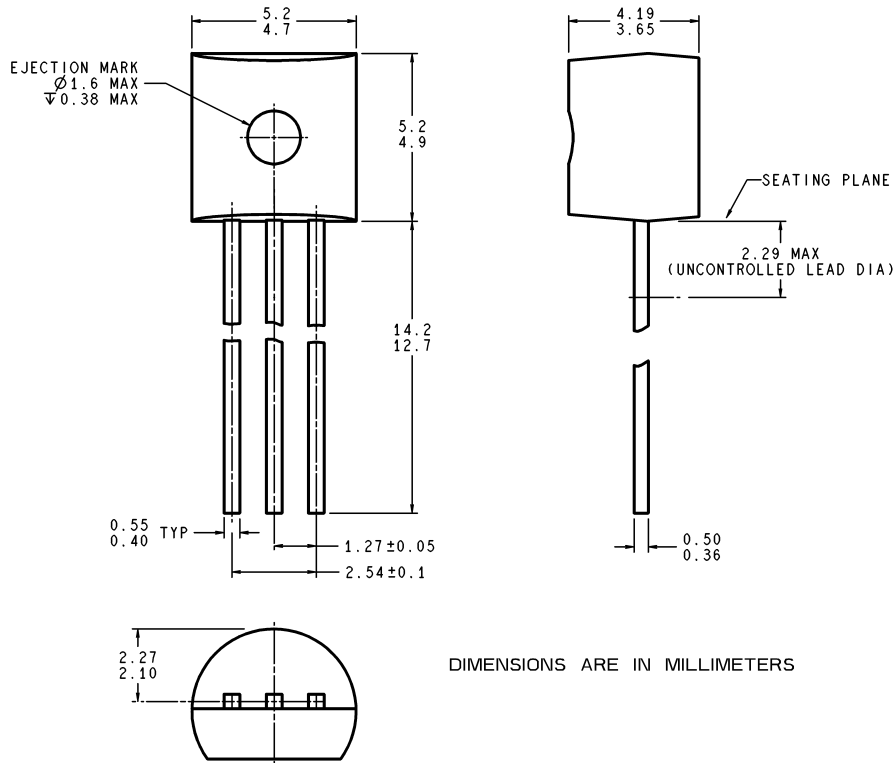
unless otherwise noted



MA03B (REV B)

**SOT-23 Molded Small Outline Transistor Package (M3)**  
**Order Number LM61BIM3, LM61BIM3X, LM61CIM3 or LM61CIM3X**  
**NS Package Number MA03B**

**Physical Dimensions** inches (millimeters) unless otherwise noted (Continued)



Z03A (Rev G)

**TO-92 Plastic Package (Z)**  
**Order Number LM61BIZ or LM61CIZ**  
**NS Package Number Z03A**


**LIFE SUPPORT POLICY**

NATIONAL'S PRODUCTS ARE NOT AUTHORIZED FOR USE AS CRITICAL COMPONENTS IN LIFE SUPPORT DEVICES OR SYSTEMS WITHOUT THE EXPRESS WRITTEN APPROVAL OF THE PRESIDENT AND GENERAL COUNSEL OF NATIONAL SEMICONDUCTOR CORPORATION. As used herein:

1. Life support devices or systems are devices or systems which, (a) are intended for surgical implant into the body, or (b) support or sustain life, and whose failure to perform when properly used in accordance with instructions for use provided in the labeling, can be reasonably expected to result in a significant injury to the user.
2. A critical component is any component of a life support device or system whose failure to perform can be reasonably expected to cause the failure of the life support device or system, or to affect its safety or effectiveness.

**BANNED SUBSTANCE COMPLIANCE**

National Semiconductor certifies that the products and packing materials meet the provisions of the Customer Products Stewardship Specification (CSP-9-111C2) and the Banned Substances and Materials of Interest Specification (CSP-9-111S2) and contain no "Banned Substances" as defined in CSP-9-111S2.

 <p><b>National Semiconductor</b>  Americas Customer Support Center  Email: new.feedback@nsc.com  Tel: 1-800-272-9959</p>	<p><b>National Semiconductor</b>  Europe Customer Support Center  Fax: +49 (0) 180-530 85 86  Email: europe.support@nsc.com  Deutsch Tel: +49 (0) 69 9508 6208  English Tel: +44 (0) 870 24 0 2171  Français Tel: +33 (0) 1 41 91 8790</p>	<p><b>National Semiconductor</b>  Asia Pacific Customer Support Center  Email: ap.support@nsc.com</p>	<p><b>National Semiconductor</b>  Japan Customer Support Center  Fax: 81-3-5639-7507  Email: jpn.feedback@nsc.com  Tel: 81-3-5639-7560</p>
--	--	---	--

www.national.com