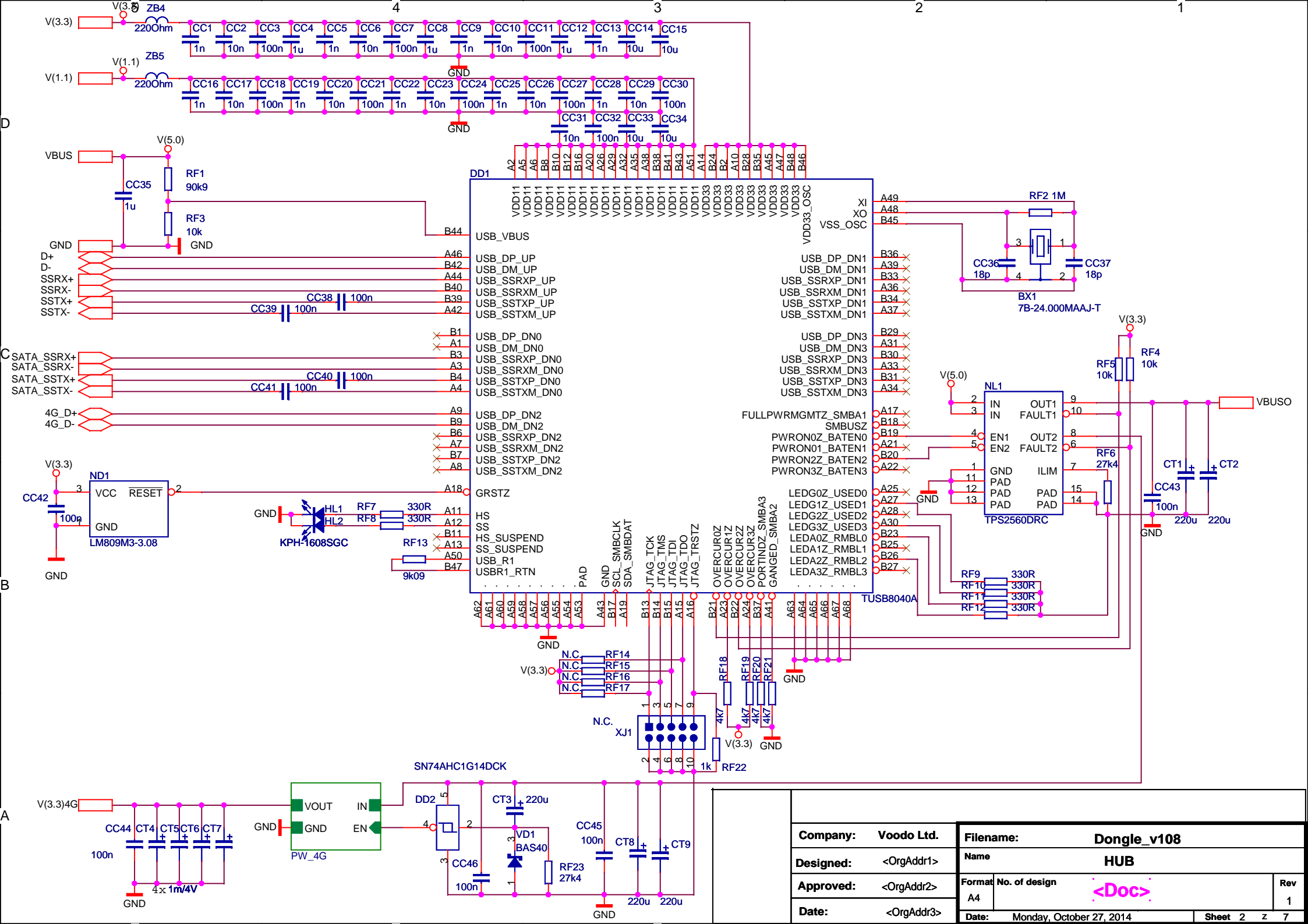
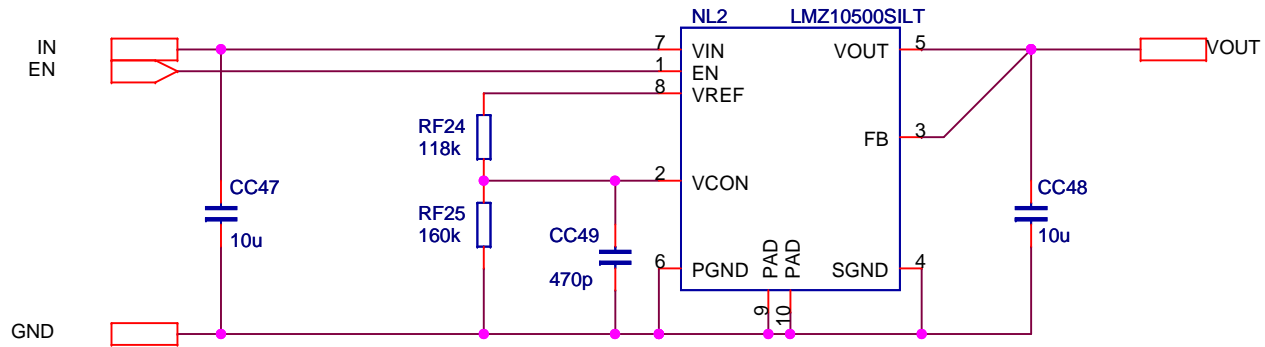


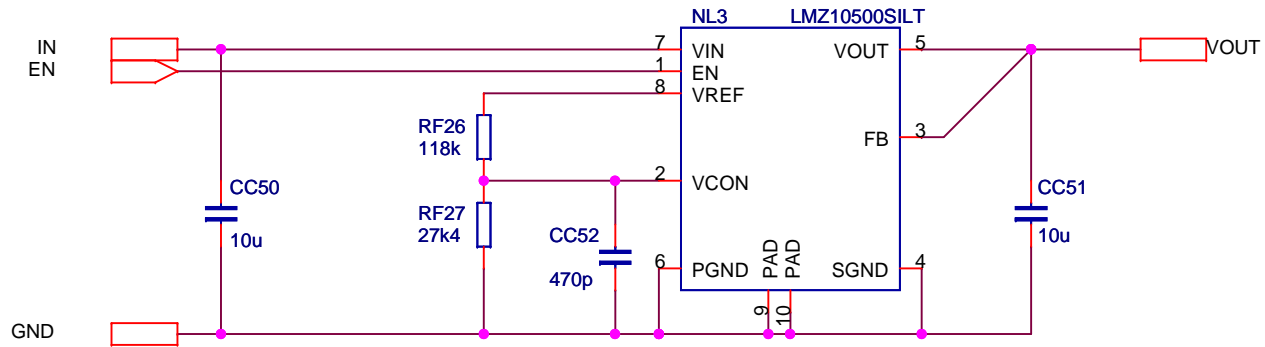
Company:	Voodoo Ltd.	Filename:	Dongle_v108	
Designed:		Name	Dongle	
Approved:	<OrgAddr2>	Format	No. of design	Rev
Date:	<OrgAddr3>	A4	<Doc>	1
		Date:	Monday, October 27, 2014	Sheet 1 z 1



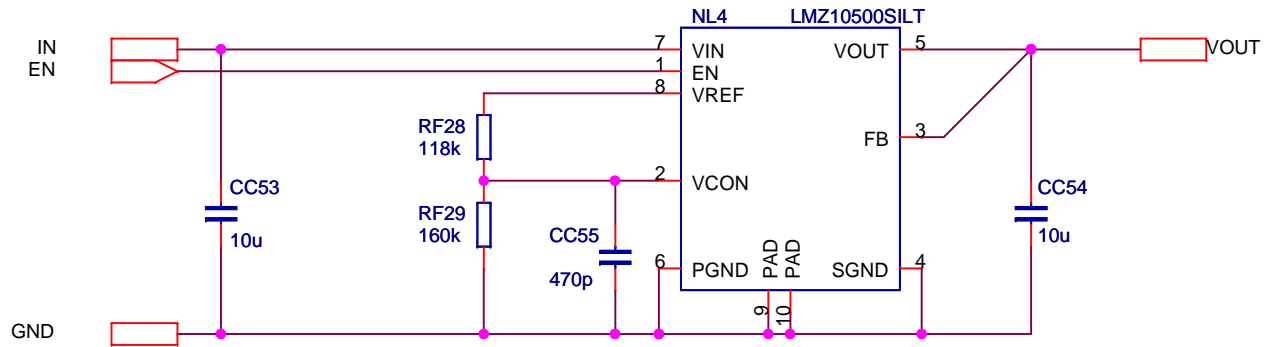
Company:	Voodoo Ltd.	Filename:	Dongle_v108	
Designed:	<OrgAddr1>	Name	HUB	
Approved:	<OrgAddr2>	Format	No. of design	Rev
Date:	<OrgAddr3>	A4	<Doc>	1
		Date:	Monday, October 27, 2014	Sheet 2 z 7



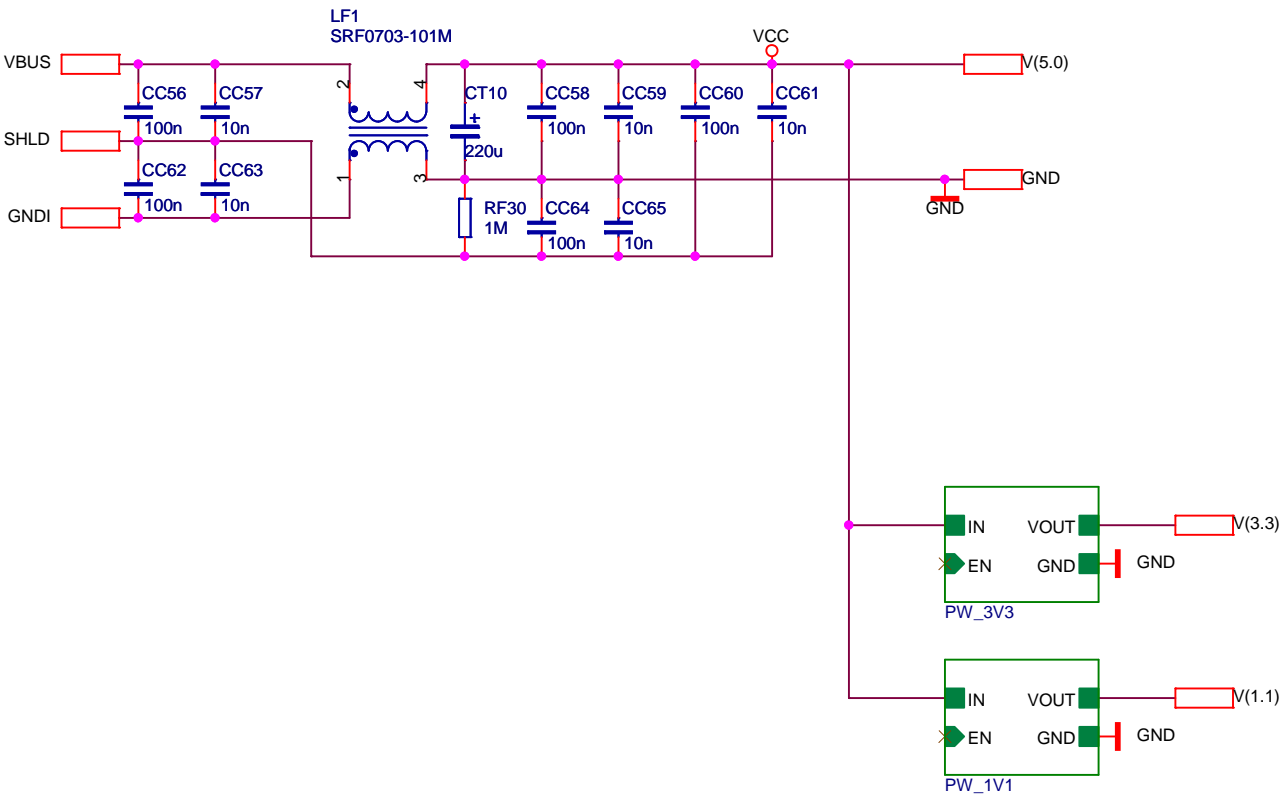
Company: Voodoo Ltd.		Filename: Dongle v108	
Designed: <OrgAddr1>		Name PW_3V3	
Approved: <OrgAddr2>		Format A4	No. of design <Doc>
Date: <OrgAddr3>		Rev 1	
		Date: Monday, October 27, 2014	Sheet 3 z 7



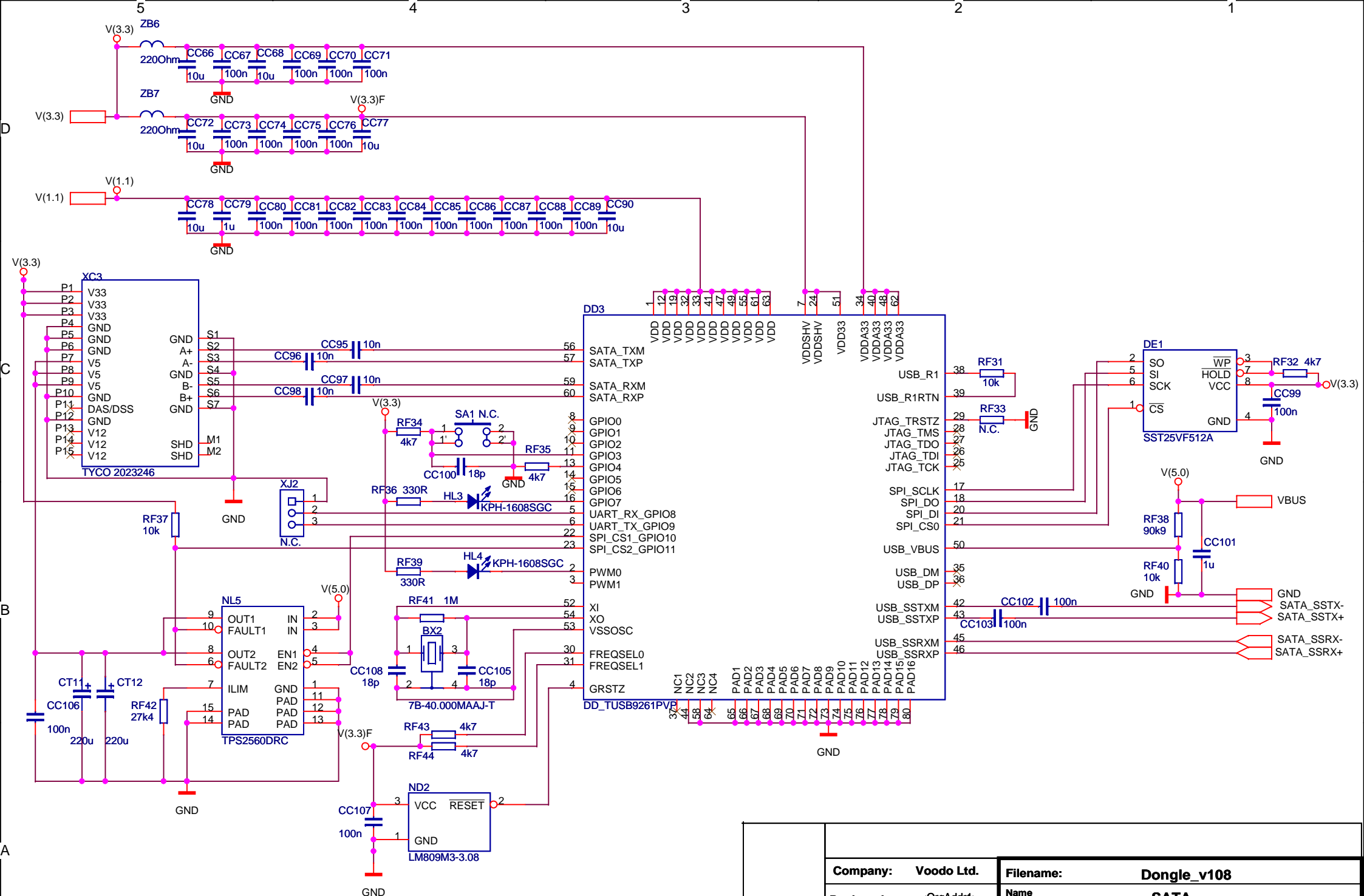
Company: Voodoo Ltd.		Filename: Dongle v108	
Designed: <OrgAddr1>		Name: PW_1V1	
Approved: <OrgAddr2>		Format: A4	No. of design: <Doc>
Date: <OrgAddr3>		Date: Monday, October 27, 2014	Rev: 1
		Sheet: 4	z: 7



Company: Voodoo Ltd.		Filename: Dongle v108	
Designed: <OrgAddr1>		Name: PW_3V3	
Approved: <OrgAddr2>		Format: A4	No. of design: <Doc>
Date: <OrgAddr3>		Date: Monday, October 27, 2014	Rev: 1
		Sheet: 5	z: 7



Company: Voodoo Ltd.		Filename: Dongle_v108	
Designed: <OrgAddr1>		Name: PWR	
Approved: <OrgAddr2>		Format: A4	No. of design: <Doc>
Date: <OrgAddr3>		Date: Monday, October 27, 2014	Rev: 1
		Sheet: 6	z: 7



Company:	Voodoo Ltd.	Filename:	Dongle_v108	
Designed:	<OrgAddr1>	Name	SATA	
Approved:	<OrgAddr2>	Format	No. of design	Rev 1
Date:	<OrgAddr3>	A4	<Doc>	
		Date:	Monday, October 27, 2014	Sheet 7 z 7