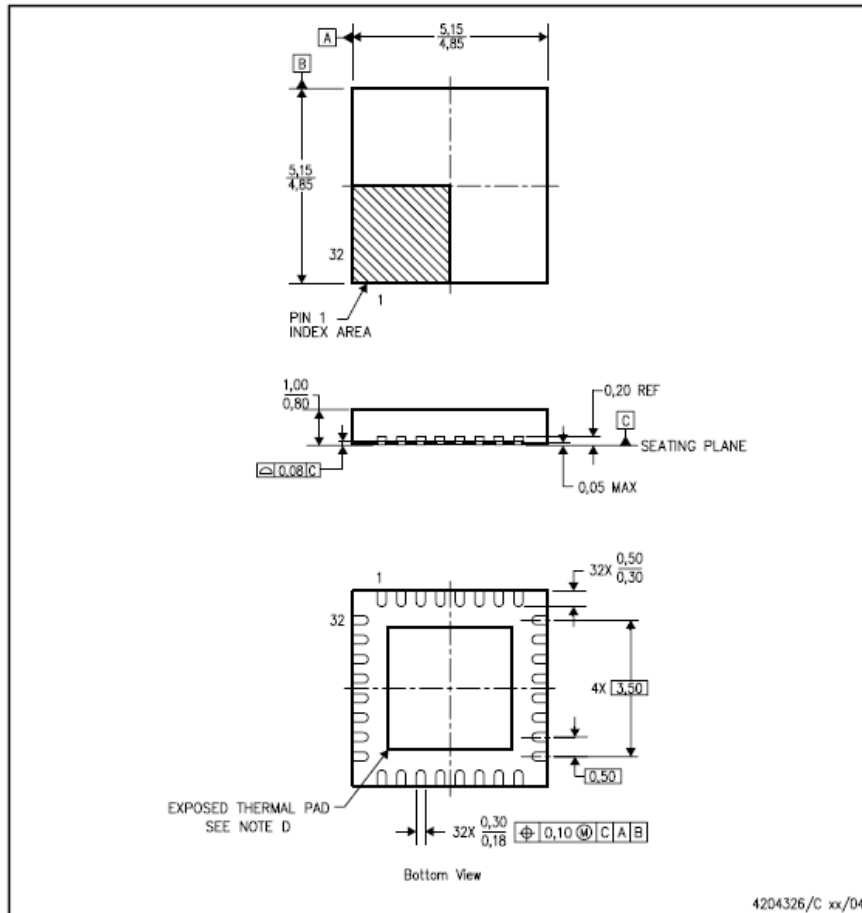


TUSB1210 Package



- Package:
 - QFN 32-pin
 - 5 x 5
 - 0.5mm pitch

NOTES:

- All linear dimensions are in millimeters.
- This drawing is subject to change without notice.
- QFN (Quad Flatpack No-Lead) Package configuration.
- The Package thermal pad must be soldered to the board for thermal and mechanical performance. See product data sheet for details regarding the exposed thermal pad dimensions.
- Falls within JEDEC MO-220.

