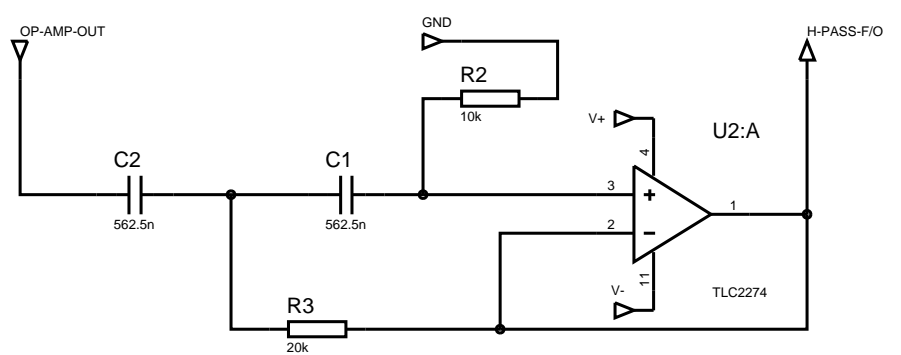
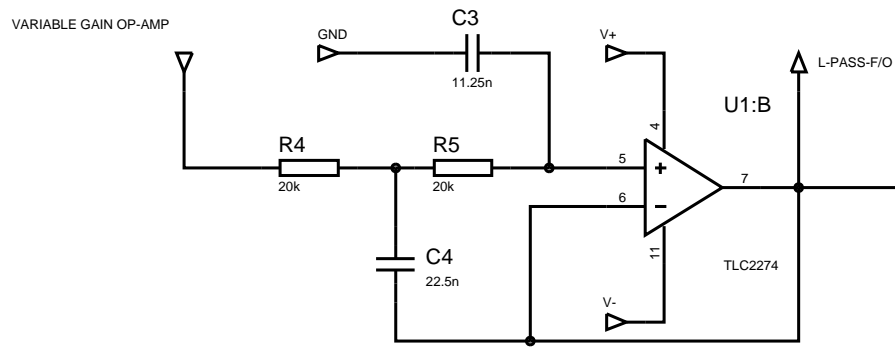


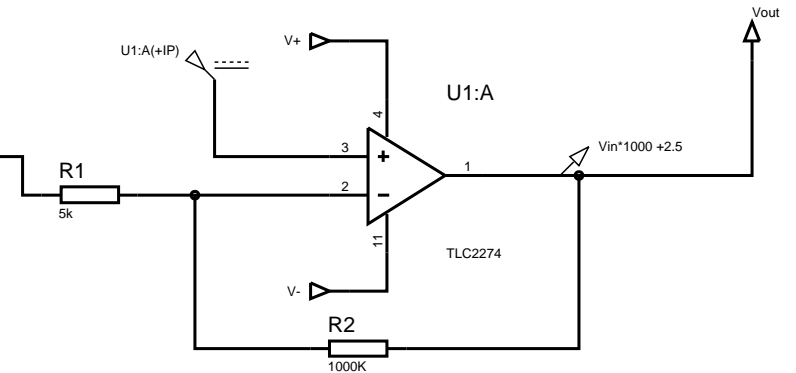
**Instrumentation Amplifier with Gain=5**



**High Pass Filter  
Cut off frequency= 20Hz**



**Low Pass Filter  
Cut off frequency= 500Hz**



**Second stage OP-AMP with gain 200, and offset 2.5V**