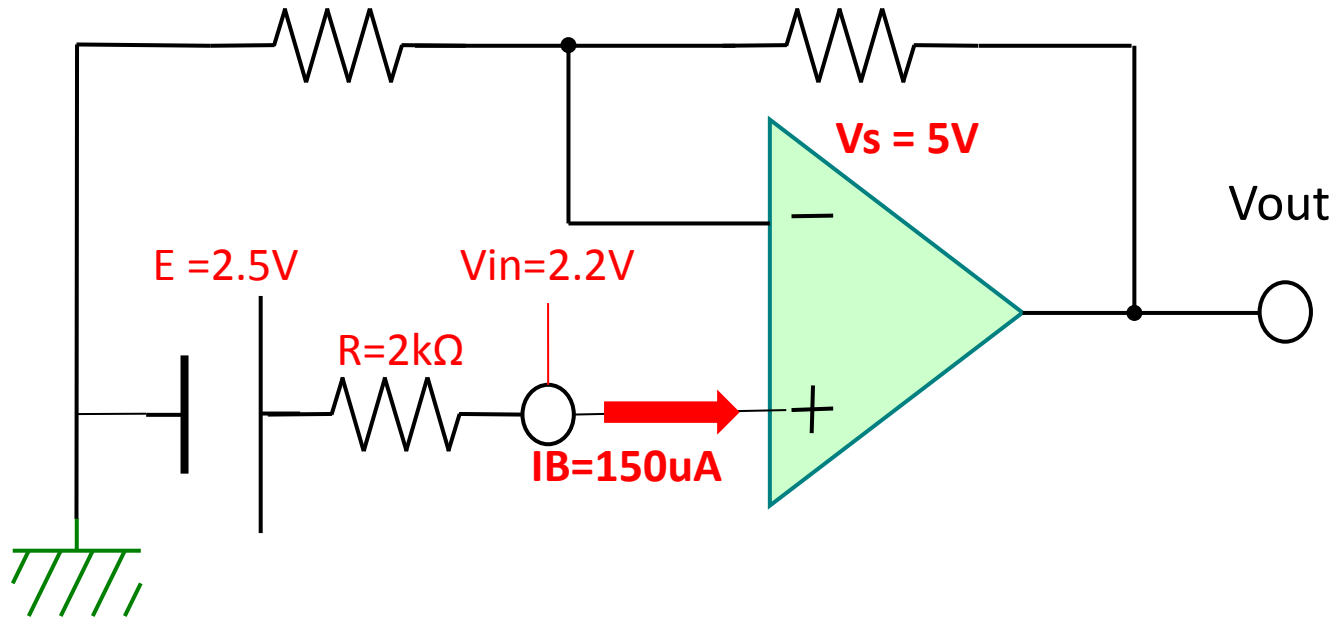


Non-inverting amplifier circuit



【Question】

When there is " $R = 2k\Omega$ ", current of $150\mu A$ flow into Non-inverting pin.
Is this normal operation (unique feature) of LM8262?
Or Is LM8262 already malfunction?