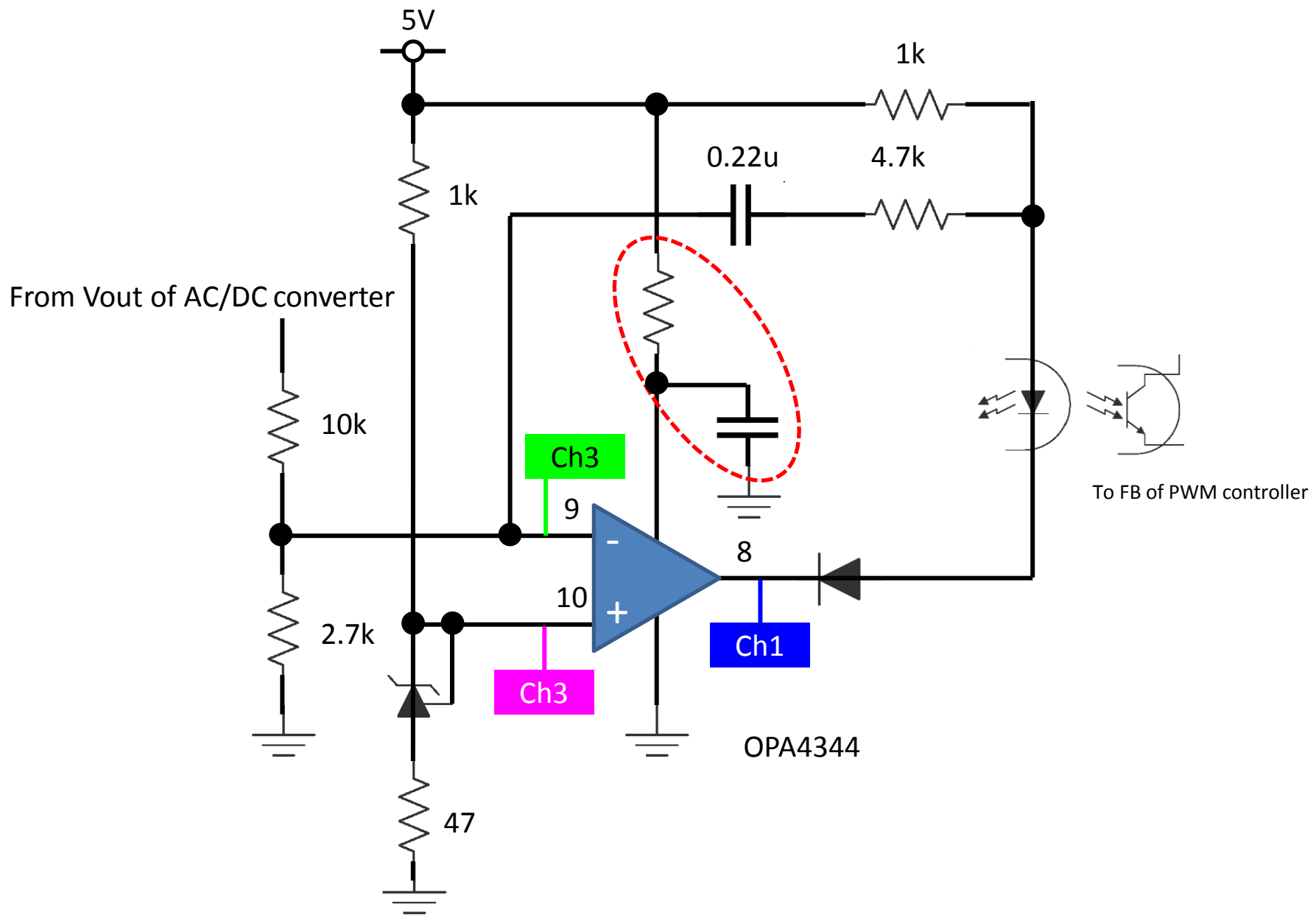


OPA4344 used at feedback circuit of AC/DC converter

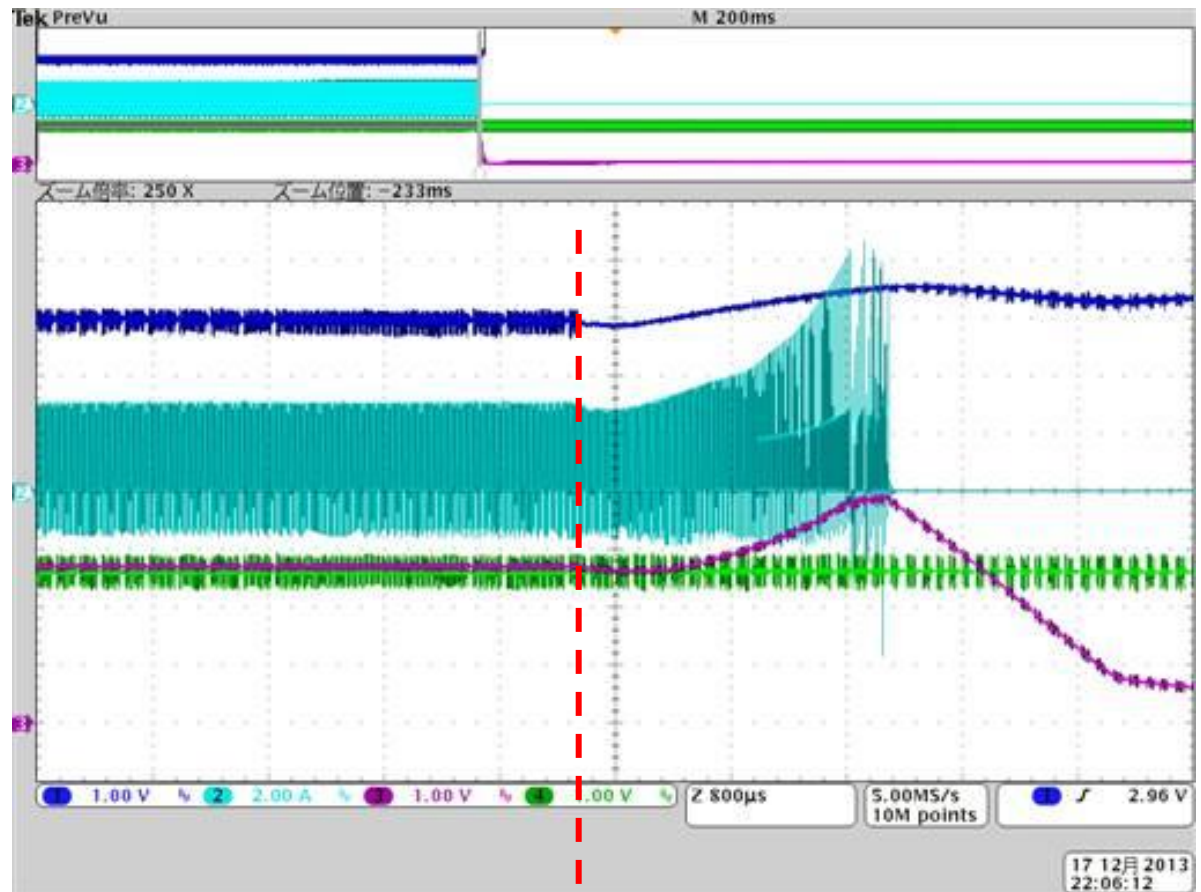


Ch1 : Output of OPA4344 (8pin)

Ch2 : Ignore this waveform

Ch4 : -IN of OPA4344 (9pin)

Ch3 : +IN of OPA4344 (10pin)



Feedback control is operated normally before this point.

But it's uncontrolled suddenly.

We have not found any trigger of this behavior.

This behavior is fixed by adding RC filter on VCC of OPA4344.

Can you give your comments for the reason why this behavior is happened and it's improved by adding RC filter on VCC?