

Question about low temperature characteristic of OPA561

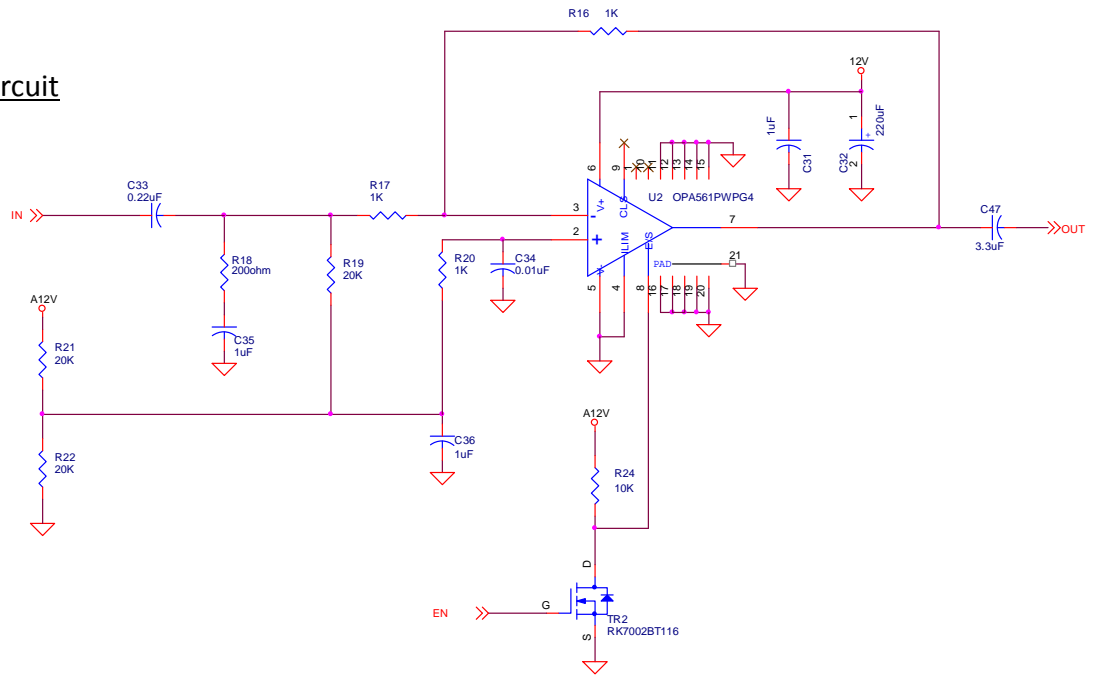
We had prototyped the OPA561 as a simple inverting amplifier as below.

But It looks like OPA561 has an oscillation at -10°C or less at our evaluation board. The oscillation began from -10°C at 1.6MHz when it gradually lowered temperature from 25°C . And the oscillation frequency was moved to lower frequency when temperature further dropped to -40°C .

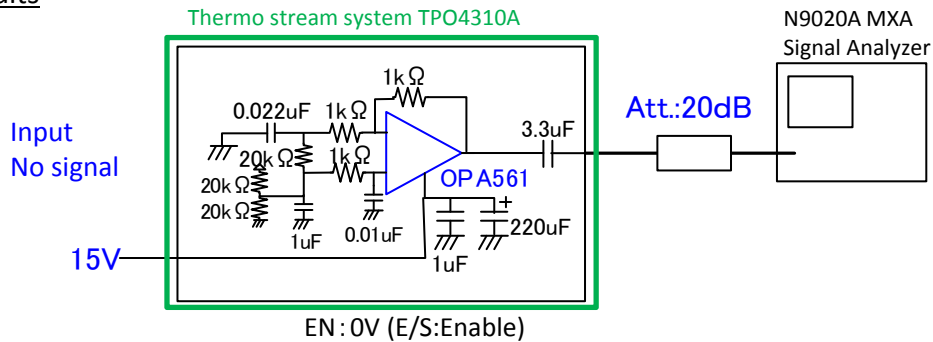
[Question]

1. Could you show us your evaluation results of the output spectrum of OPA561 at low temperature?
2. Could you lend us your evaluation board of OPA561 if possible ?

OPA561 evaluation circuit

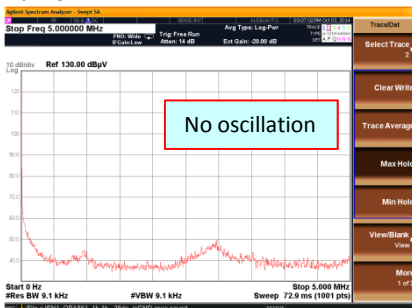


Evaluation results

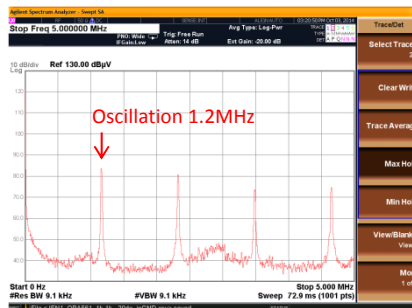


The oscillation began from -10°C at 1.6MHz when it gradually lowered temperature from 25°C . And the oscillation frequency was moved to lower frequency when temperature further dropped to -40°C .

Ta=25°C



Ta=-25°C



Ta=-40°C

