

Voltage Clamps Made Easy

Chris Cockrill
Hattie Spetla

HVAL - SLL

ABSTRACT

This document presents designers with several methods of voltage clamping cascaded FET's with common gates.

Today's complex electronic systems involve a multitude of power planes. In order for these mixed-mode systems to operate properly, some type of voltage translation or clamping is necessary. This allows the different input/outputs (I/O) to communicate with each other without damage from overvoltage,

A simple and inexpensive way to accomplish this is with an FET voltage clamp circuit. For this example, the Texas Instruments SN74TVC3306 dual voltage clamp is used. By connecting one I/O of the FET to Vcc, the designer is able to use one of the I/Os on the opposite side as a voltage reference (Vref). This allows the designer to regulate the outgoing voltage by adjusting Vref. Vref is not able to adjust above Vdd – 0.8 V.

The advantages of using a voltage clamp are:

1. High-speed translation
2. Direction control unnecessary
3. Excellent ESD performance
4. Low Ron
5. With a 5-V supply, the designer can regulate the voltage between 1 V and 5 V on the inputs or the outputs.

Voltage clamps can be used for:

1. Simple unidirectional voltage translation
2. Bidirectional I²C™ translation
3. GTL to TTL/LVTTL translation
4. Translation from one voltage to several different voltages using a single part

The following examples illustrate different ways to use the voltage clamp.

In [Figure 1](#), the output voltage can be adjusted between 0.8 V and 4.2 V.

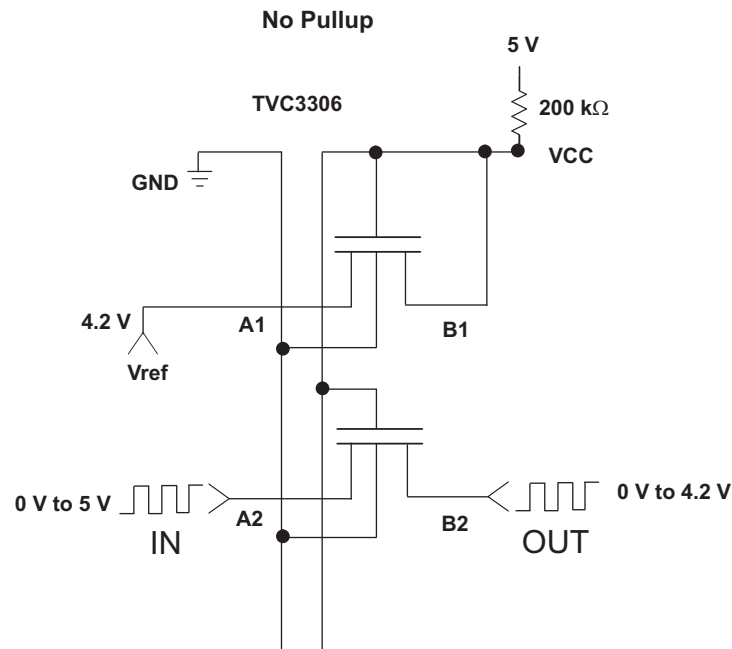


Figure 1. Example 1

Figure 2 shows the same setup but uses a pullup resistor. This allows the output to swing up to the pullup voltage. Several output voltage levels are possible by pulling up to different nodes, but Vref must be set to the lowest output voltage. The designer is able to pull up to any voltage between Vref and Vcc.

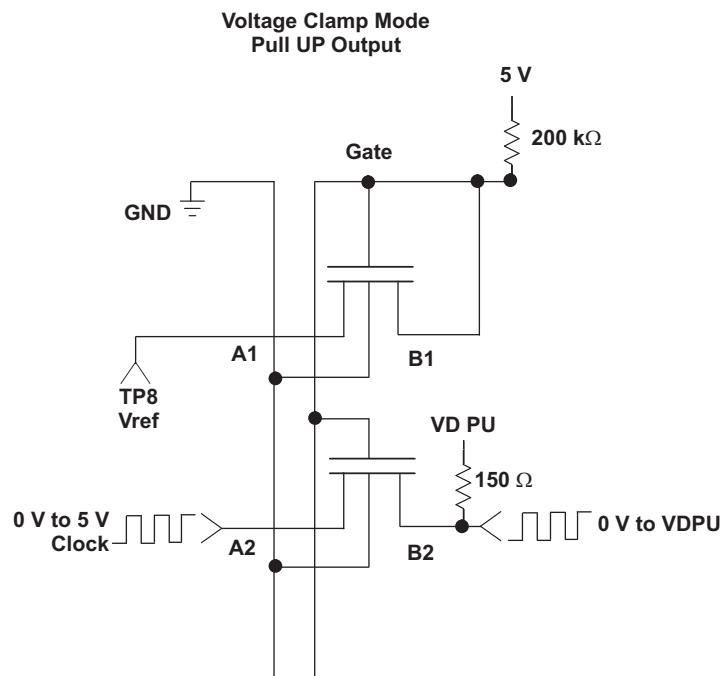


Figure 2. Example 2

Figure 3 uses a pull-down resistor. By using the pull-down resistor, the output is clamped to Vref.

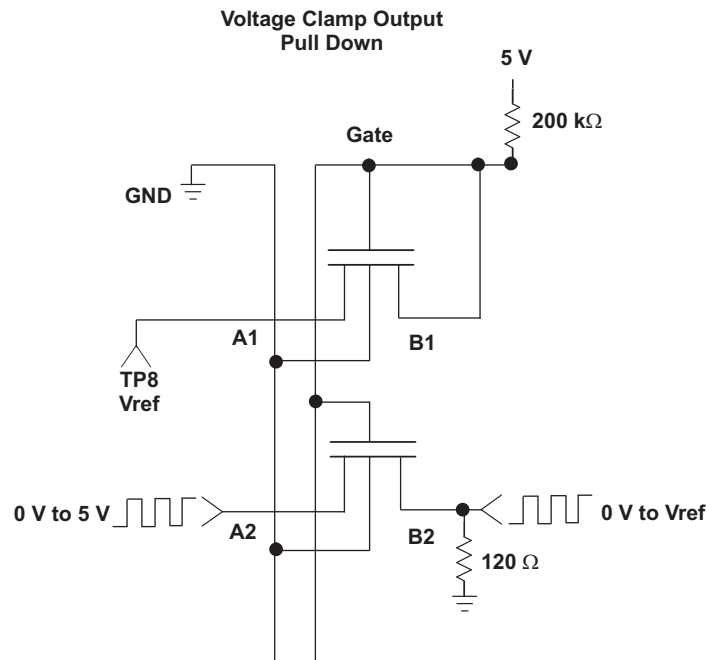


Figure 3. Example 3

In Figure 4, both sides are clamped by using an open-drain device on the input of the TVC. In example 4, the open drain is low when the input signal is high, and the TVC pulls the signal high when the input is low. This produces a 0 V to Vref inverted signal on the input and a 0-V to the pullup voltage on the output side. This type of circuit is often used on open-drain-type CPU interfaces found in personal computers. This can help eliminate glitches or spikes from the driving side. In example 4, a SN74LVC1G07 is used for the open-drain device. A simple transistor can be used instead. Additional information about this type of setup can be found in the application information in the SN74TVC3306 data sheet (SCDS112).

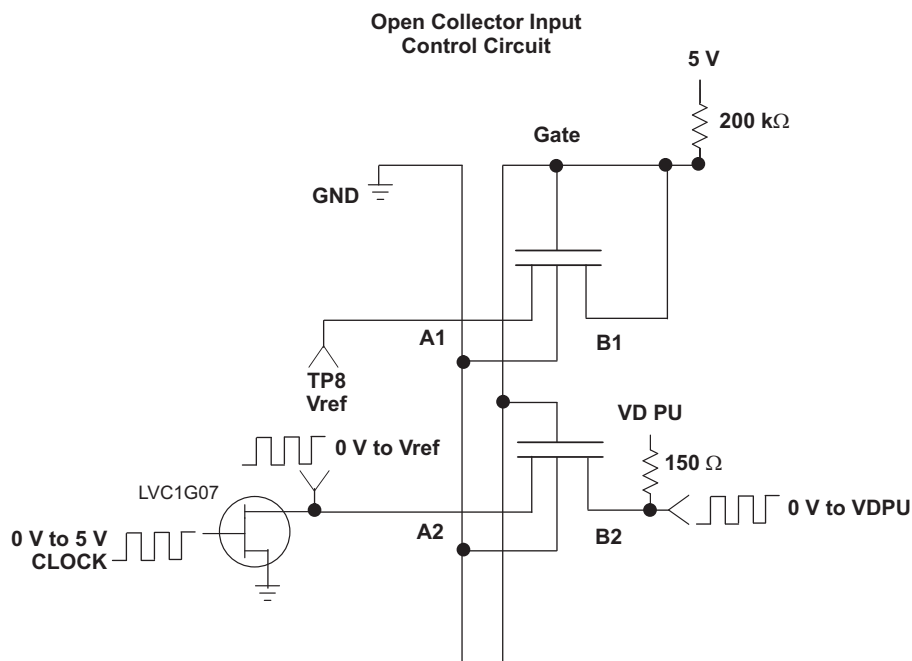


Figure 4. Example 4

The Texas Instruments portfolio contains many other types of voltage level translators. See the application report *Selecting the Right Level-Translation Solution* ([SCEA035](#)) for more information about voltage clamps and many other types of translators.

Sizing Pullup Resistor

The pullup resistor value needs to limit the current through the pass transistor, when it is in the on state, to about 15 mA. This ensures a pass voltage of 260 mV to 350 mV. If the current through the pass transistor is higher than 15 mA, the pass voltage also is higher in the on state. To set the current through each pass transistor at 15 mA, the pullup resistor value is calculated as:

$$R_{PU} = \frac{V_{DPU} - 0.35 \text{ V}}{0.015 \text{ A}}$$

The following table summarizes resistor values, reference voltages, and currents at 15 mA, 10 mA, and 3 mA. The resistor value shown in the +10% column (or a larger value) should be used to ensure that the pass voltage of the transistor is 350 mV or less. The external driver must be able to sink the total current from the resistors on both sides of the device at 0.175 V, although the 15 mA applies only to current flowing through the device.

PULLUP RESISTOR VALUES ^{(1) (2)}

PULLUP RESISTOR VALUE (Ω)						
V _{DPU}	15 mA		10 mA		3 mA	
	NOMINAL	+10% ⁽³⁾	NOMINAL	+10% ⁽³⁾	NOMINAL	+10% ⁽³⁾
5 V	310	341	465	512	1550	1705
3.3 V	197	217	295	325	983	1082
2.5 V	143	158	215	237	717	788
1.8 V	97	106	145	160	483	532
1.5 V	77	85	115	127	383	422
1.2 V	57	63	85	94	283	312

⁽¹⁾ Calculated for V_{OL} = 0.35 V

⁽²⁾ Assumes output driver V_{OL} = 0.175 V at stated current

⁽³⁾ +10% to compensate for V_{DD} range and resistor tolerance

Bandwidth

The maximum frequency is dependent on the application. The device can operate at speeds of > 100MHz given the correct conditions. The maximum frequency is dependent upon the loading of the application. The clamp behaves like a standard switch where the bandwidth of the device is dictated by the on resistance and on capacitance of the device.

Figure 5 shows a bandwidth measurement of the clamp using a two-port network analyzer.

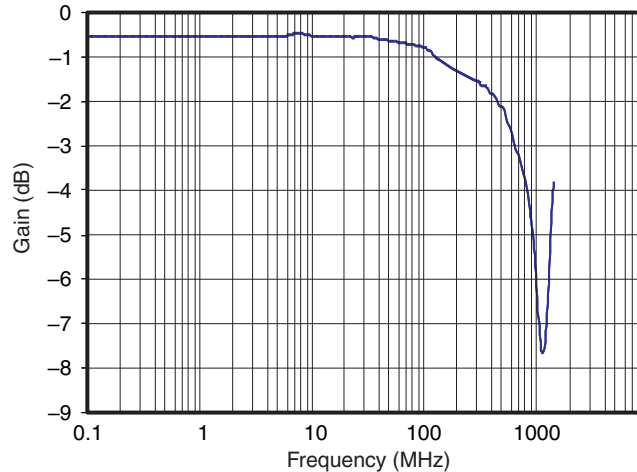


Figure 5. Bandwidth

The 3-dB point of the clamp is ≈ 600 MHz. However, this measurement is an analog type of measurement. For digital applications the signal should not degrade up to the fifth harmonic of the digital signal. As a rule of thumb, the frequency bandwidth should be at least five times the maximum digital clock rate. This component of the signal is very important in determining the overall shape of the digital signal. In most cases, digital clock frequency of >100 MHz can be achieved.

The clamp does not provide any drive capability. Therefore higher frequency applications will require higher drive strength from the host side. No pullup resistor is needed on the host side (3.3 V) if the clamp is being driven by standard CMOS totem pole output driver. Ideally, it is best to minimize the trace length from the clamp on the sink side (1.8 V) to minimize signal degradation.

You can then use a simple formula to compute the maximum "practical" frequency component. Or the "knee" frequency (f_{knee}). All fast edges have an infinite spectrum of frequency components. However, there is an inflection (or "knee") in the frequency spectrum of fast edges where frequency components higher than f_{knee} are insignificant in determining the shape of the signal.

To calculate f_{knee} :

$$f_{knee} = 0.5/RT \text{ (10–80\%)}$$

$$f_{knee} = 0.4/RT \text{ (20–80\%)}$$

For signals with rise time characteristics based on 10- to 90-percent thresholds, f_{knee} is equal to 0.5 divided by the rise time of the signal. For signals with rise time characteristics based on 20- to 80-percent thresholds, which is very common in many of today's device specifications, f_{knee} is equal to 0.4 divided by the rise time of the signal.

Some guidelines to follow that will help maximize the performance of the device:

- Keep trace length to a minimum
- The trace length should be less than half the time of flight to reduce ringing and line reflections or non monotonic behavior in the switching region
- To reduce overshoots, a pullup resistor can be added on the 1.8 V side; be aware that a slower fall time is to be expected

IMPORTANT NOTICE

Texas Instruments Incorporated and its subsidiaries (TI) reserve the right to make corrections, modifications, enhancements, improvements, and other changes to its products and services at any time and to discontinue any product or service without notice. Customers should obtain the latest relevant information before placing orders and should verify that such information is current and complete. All products are sold subject to TI's terms and conditions of sale supplied at the time of order acknowledgment.

TI warrants performance of its hardware products to the specifications applicable at the time of sale in accordance with TI's standard warranty. Testing and other quality control techniques are used to the extent TI deems necessary to support this warranty. Except where mandated by government requirements, testing of all parameters of each product is not necessarily performed.

TI assumes no liability for applications assistance or customer product design. Customers are responsible for their products and applications using TI components. To minimize the risks associated with customer products and applications, customers should provide adequate design and operating safeguards.

TI does not warrant or represent that any license, either express or implied, is granted under any TI patent right, copyright, mask work right, or other TI intellectual property right relating to any combination, machine, or process in which TI products or services are used. Information published by TI regarding third-party products or services does not constitute a license from TI to use such products or services or a warranty or endorsement thereof. Use of such information may require a license from a third party under the patents or other intellectual property of the third party, or a license from TI under the patents or other intellectual property of TI.

Reproduction of TI information in TI data books or data sheets is permissible only if reproduction is without alteration and is accompanied by all associated warranties, conditions, limitations, and notices. Reproduction of this information with alteration is an unfair and deceptive business practice. TI is not responsible or liable for such altered documentation. Information of third parties may be subject to additional restrictions.

Resale of TI products or services with statements different from or beyond the parameters stated by TI for that product or service voids all express and any implied warranties for the associated TI product or service and is an unfair and deceptive business practice. TI is not responsible or liable for any such statements.

TI products are not authorized for use in safety-critical applications (such as life support) where a failure of the TI product would reasonably be expected to cause severe personal injury or death, unless officers of the parties have executed an agreement specifically governing such use. Buyers represent that they have all necessary expertise in the safety and regulatory ramifications of their applications, and acknowledge and agree that they are solely responsible for all legal, regulatory and safety-related requirements concerning their products and any use of TI products in such safety-critical applications, notwithstanding any applications-related information or support that may be provided by TI. Further, Buyers must fully indemnify TI and its representatives against any damages arising out of the use of TI products in such safety-critical applications.

TI products are neither designed nor intended for use in military/aerospace applications or environments unless the TI products are specifically designated by TI as military-grade or "enhanced plastic." Only products designated by TI as military-grade meet military specifications. Buyers acknowledge and agree that any such use of TI products which TI has not designated as military-grade is solely at the Buyer's risk, and that they are solely responsible for compliance with all legal and regulatory requirements in connection with such use.

TI products are neither designed nor intended for use in automotive applications or environments unless the specific TI products are designated by TI as compliant with ISO/TS 16949 requirements. Buyers acknowledge and agree that, if they use any non-designated products in automotive applications, TI will not be responsible for any failure to meet such requirements.

Following are URLs where you can obtain information on other Texas Instruments products and application solutions:

Products

Audio	www.ti.com/audio
Amplifiers	amplifier.ti.com
Data Converters	dataconverter.ti.com
DLP® Products	www.dlp.com
DSP	dsp.ti.com
Clocks and Timers	www.ti.com/clocks
Interface	interface.ti.com
Logic	logic.ti.com
Power Mgmt	power.ti.com
Microcontrollers	microcontroller.ti.com
RFID	www.ti-rfid.com
OMAP Mobile Processors	www.ti.com/omap
Wireless Connectivity	www.ti.com/wirelessconnectivity

Applications

Communications and Telecom	www.ti.com/communications
Computers and Peripherals	www.ti.com/computers
Consumer Electronics	www.ti.com/consumer-apps
Energy and Lighting	www.ti.com/energy
Industrial	www.ti.com/industrial
Medical	www.ti.com/medical
Security	www.ti.com/security
Space, Avionics and Defense	www.ti.com/space-avionics-defense
Transportation and Automotive	www.ti.com/automotive
Video and Imaging	www.ti.com/video

TI E2E Community Home Page

e2e.ti.com

Mailing Address: Texas Instruments, Post Office Box 655303, Dallas, Texas 75265
Copyright © 2011, Texas Instruments Incorporated