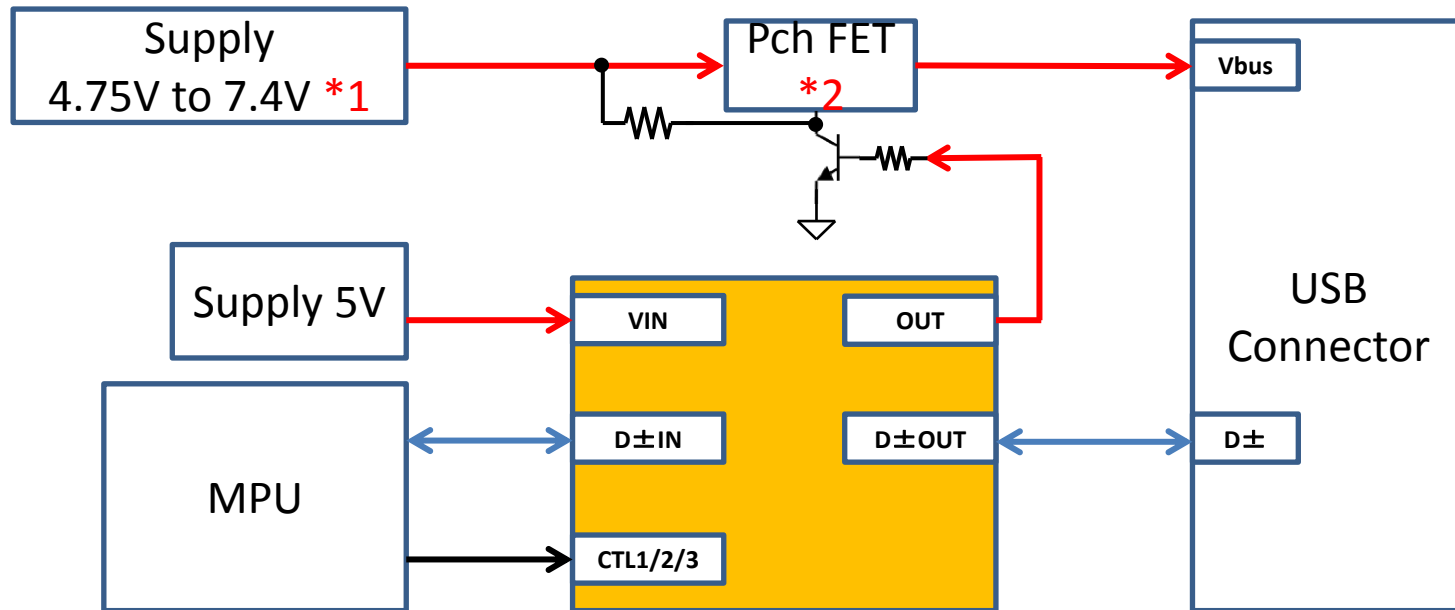


# TPS2543 Circuit



\*1 . When the output current increases, Vbus may become less than 5.0V.  
My customer regulates the voltage (4.75V to 7.4V) to prevent it.

\*2 . This voltage (4.75V to 7.4V) is out of a recommended operation range of TPS2543.  
Therefore, my customer examines a circuit to use the pch FET for.

## **【Question】**

**Can my customer constitute this circuit using TPS2543?**

**Please tell me if there are any problems.**