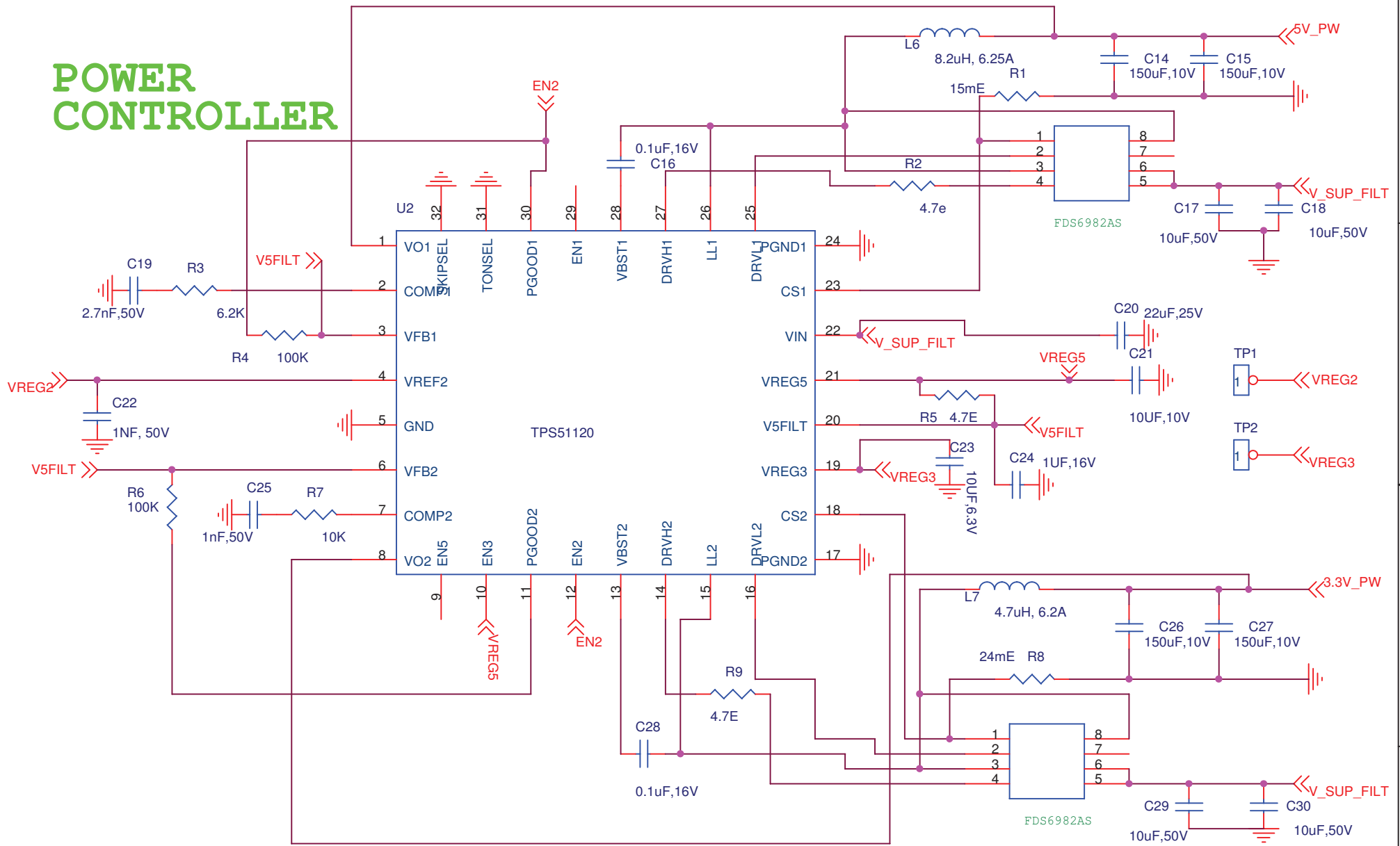


POWER CONTROLLER



Title		
<Title>		
Size	Document Number	Rev
A	<Doc>	<Rev Code>
Date:	Wednesday, March 05, 2014	Sheet 2 of 2