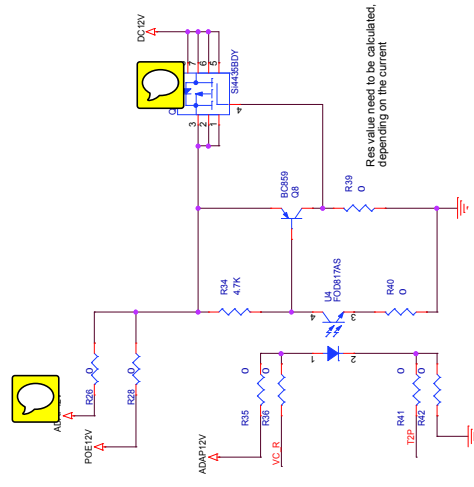


1	A3	
1	A4	
20	TP1	TEST POINT
18	FRS	FRS
17	APD	APD
16	COA	COA
15	DT	DT
14	PPD	PPD
13	DEN	DEN
12	ARTN	ARTN
11	VDD1	VDD1
10	VSS	VSS



Res value need to be calculated, depending on the current

Ring of Adapter and POE+

