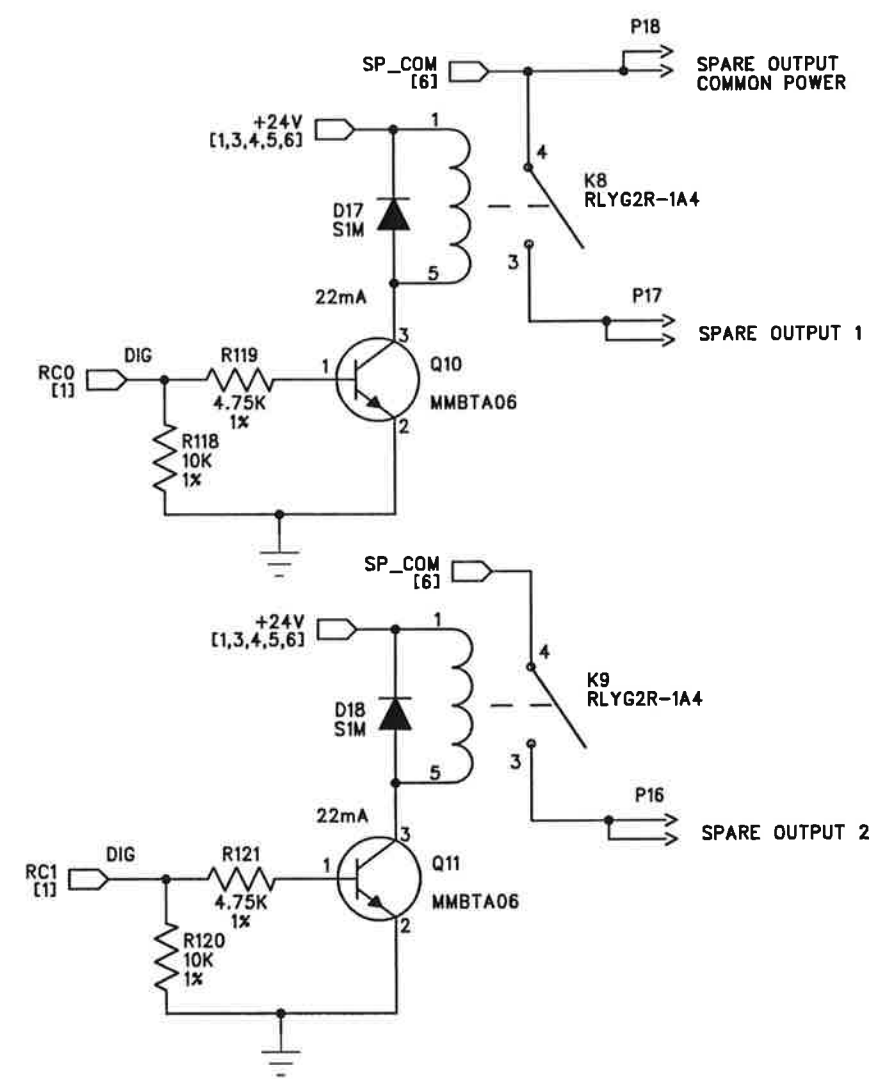


REVISIONS				
REV	DATE	ECN	DESCRIPTION	APVD
A	2-3-14	10575E	RELEASE TO PRODUCTION.	CAG



UNLESS OTHERWISE SPECIFIED
 DIODES ARE SIM
 RESISTORS ARE OHMS, 1%, .25W
 CAPACITORS ARE MF, 20%, 50V
 ZENER DIODES ARE 5%

MARLIN TECHNOLOGIES INC.			
TITLE SCHEMATIC, 500707 HVAC CONTROL BOARD			
SIZE B	DRAWING NUMBER 009165	TYPE C	REV A
CHECKED CAG	DATE 3-4-14	DRAWN S. JOHNSON	DATE 2-7-14
APPROVED CAG	DATE 3-4-14	SHEET 6 OF 6	