

6

5

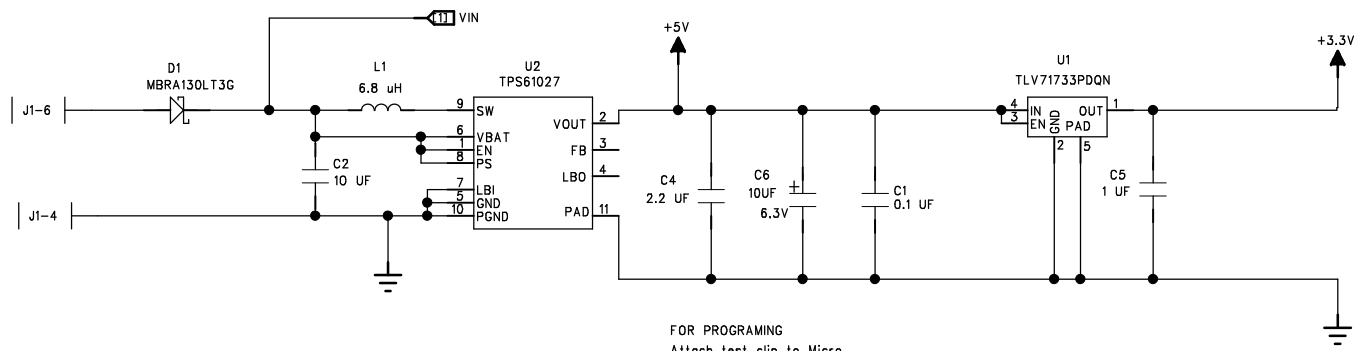
4

3

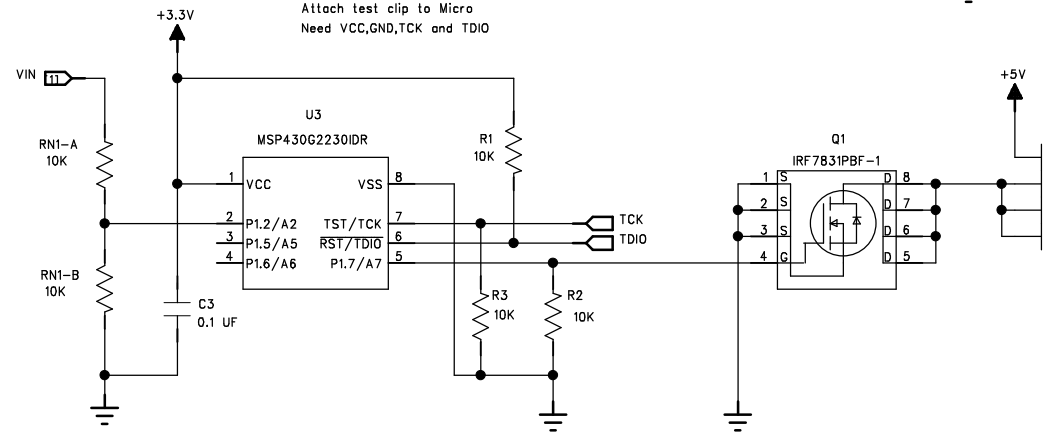
2

1

REVISION RECORD			
LTR	ECO NO:	DATE:	INITIAL
A	INITIAL RELEASE	6/26/2014	LSH



FOR PROGRAMING
Attach test clip to Micro
Need VCC,GND,TCK and TDIO



TO BACKLIGHT BAR

J1-5 DIODES 1-3 ANODE
J1-1 DIODE1 CATH
J1-2 DIODE2 CATH
J1-3 DIODE3 CATH

COPYRIGHT 2014, DFW INSTRUMENTS
ALL RIGHTS RESERVED

DRAWN: RCS	DATED:
CHECKED: LSH	DATED: 6/26/2014
PCB # 1000231	REV A
ASSY#	REV

The Jamesport Group	
TITLE: INSTRUMENT BACLIGHT	
DRAWING NO: 2000231	REV: A
SCALE: B	SHEET: 1 OF 1

D

D

C

C

B

B

A

A