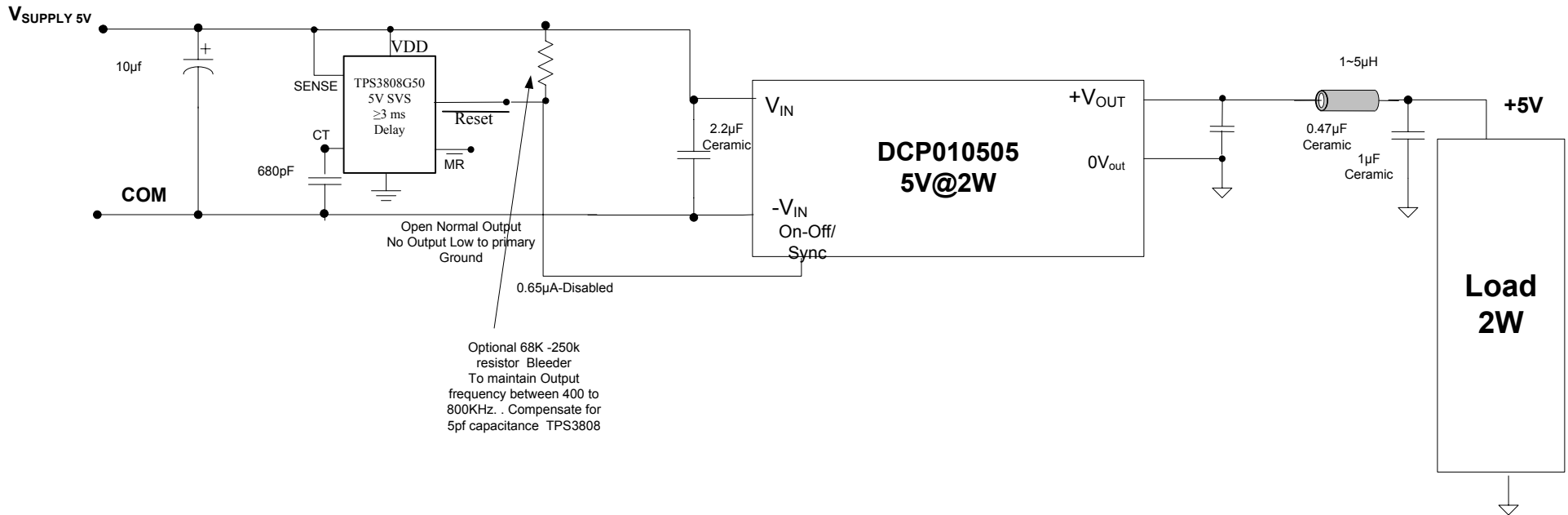


DCP01/02 Low Noise Power Supply 1W/2W With Soft Power-on delay



Optional 68K -250k
resistor Bleeder
To maintain Output
frequency between 400 to
800KHz. . Compensate for
5pf capacitance TPS3808

Ceramic Capacitors only Ouptu
and input filters 1-2.2 μF

Ferrite bead 2773021447
Fair-Rite
or 1-5uH inductor

Open Normal Output
No Output Low to primary
Ground

Note:
Input Inductor recommended for attenuation input noise
Output inductors and ceramic capacitors suggested for Analog
low noise filter