

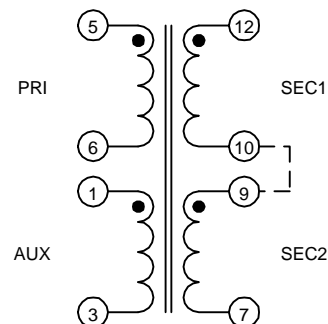
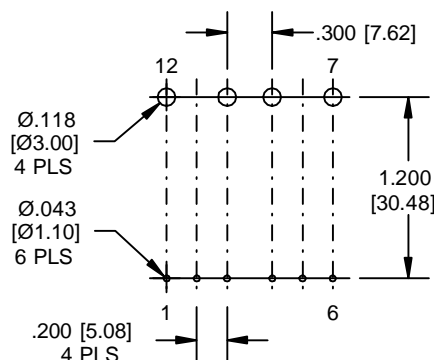
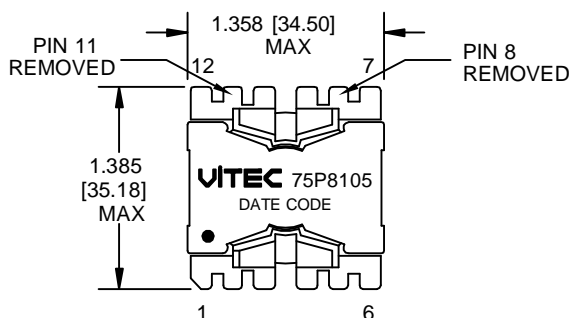
Half-Bridge Transformer

75P8105

FEATURES

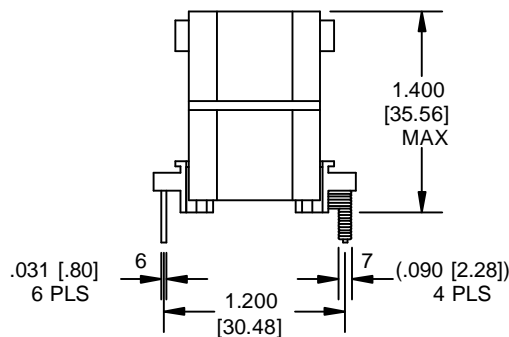
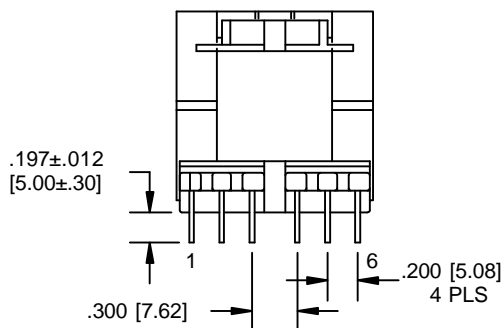
- Designed for Texas Instruments Inc
- Operating Temperature from -40°C to 125°C
- Manufactured to UL recognized 155 °C insulation system
- Materials meet flammability requirements for UL 94V-0
- RoHS compliant product is also available under PN 75PR8105

MECHANICAL



SUGGESTED PCB LAYOUT

SCHEMATIC



ALL DIMENSIONS GIVEN IN INCHES (MM).
TOLERANCES UNLESS OTHERWISE SPECIFIED.
.XX±.01 [X±.25] .XXX±.005 [XX±.13] ANGULAR: ±1°

ELECTRICAL SPECIFICATIONS @ 25 °C

URNS RATIO: AT 100 KHz, 1 VRMS
 (5-6) : (1-3) = 12.75 : 1 = 12.75 ±2% (12.50-13.00)
 (5-6) : (12-10) = 17.00 : 1 = 17.00 ±2% (16.66-17.34)
 (5-6) : (9-7) = 17.00 : 1 = 17.00 ±2% (16.66-17.34)

OCL: AT 100 KHz, 0.100 VRMS
 (5-6) = 280 ±3% uH (271.6-288.4 uH)

LL: AT 100 KHz, 1 VRMS
 (5-6) = 5.0 uH MAX., SHORT (1-3-7-9-10-12)

DCR:
 (5-6) = 0.210 OHMS MAX
 (1-3) = 0.155 OHMS MAX
 (12-10), (9-7) = 0.0035 OHMS MAX

HIPOT: 60 Hz, 2 SEC
 (1,3,5,6) TO (7,9,10,12) : 3100 VRMS
 (5,6) TO (1,3) : 1000 VRMS
 (1,3,5,6,7,9,10,12) TO (CORE) : 2000 VRMS

This drawing is the property of Vitec Electronics Corporation. It is not a controlled document. Therefore it is subject to change without prior notice. Its intended use is to supply preliminary information only. Duplication of all or any part of this drawing is prohibited.

AF4958 75P8105_091108



6213 El Camino Real, Carlsbad, CA 92009
 TEL: (760) 918-8831 FAX: (760) 918-8840
<http://www.VitecCorp.com>