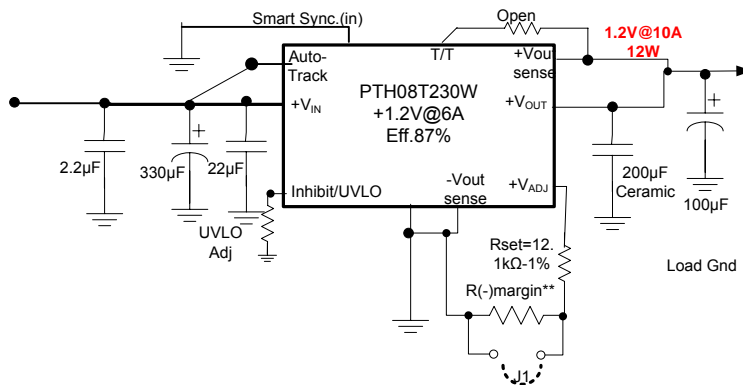


## PTH08T2XX (-) Margin Control with Jumper



**Notes (Example -2% margin with manual jumper removed)**

1. Rset = Vout set to 1.2V with 12.1kΩ1% resistor
2. \*\*Margin (-) Vout with -2% margin series resistor (with manual jumper J1 removed )Vout=1.176V :: R margin(-) resistor=660Ω
3. Total resistance for 1.176V= 12.76kΩ( Rset+Rmargin (-))
4. Insert J1 jumper for normal Rset voltage

Tom Guerin  
Tguerin@ti.com  
3/8/2011