

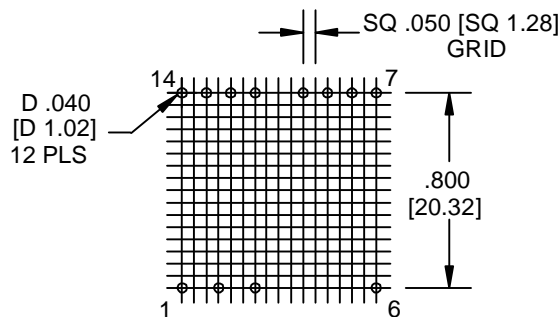
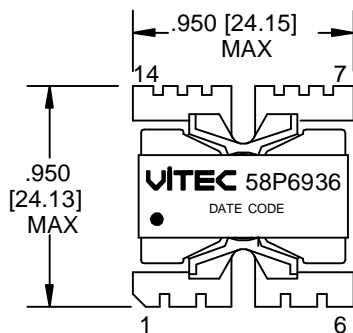
# Flyback Transformer

## 58P6936

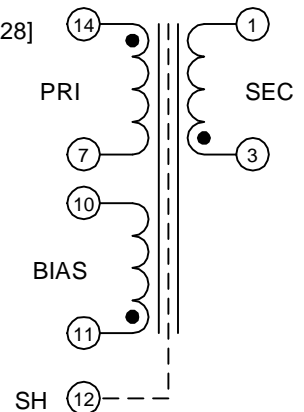
### FEATURES

- Designed for use with Texas Instruments UCC28610, Green-Mode Flyback Controller
- Manufactured to UL recognized 155°C insulation system
- Materials meet flammability requirements for UL 94V-0
- Order **58PR6936** for **RoHS** Compliant Version

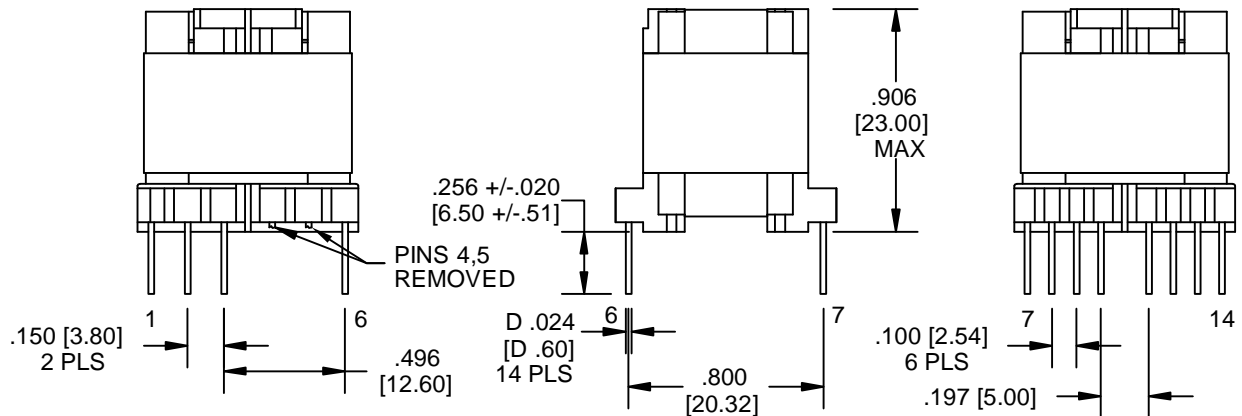
### MECHANICAL



**SUGGESTED PCB LAYOUT**



**SCHEMATIC**



ALL DIMENSIONS GIVEN IN INCHES [MM].  
TOLERANCES UNLESS OTHERWISE SPECIFIED.  
XX +/-01 [X +/-25] XXX +/-005 [XX +/-13] ANGULAR: +/-10

### ELECTRICAL SPECIFICATIONS @ 25°C

URNS RATIO: AT 100 KHz, 1 VRMS  
(14-7) : (3-1) = 7.00 : 1 = 7.00 +/-2% (6.86-7.14)  
(14-7) : (11-10) = 5.25 : 1 = 5.25 +/-2% (5.15-5.35)

OCL: AT 100 KHz, 0.100 VRMS  
(14-7) = 220 +/-10% uH (198-242 uH)

LL: AT 100 KHz, 1 VRMS  
(14-7) = 3.6 uH MAX., SHORT(1-3-10-11)

DCR:  
(14-7) = 0.270 OHMS MAX.  
(3-1) = 0.016 OHMS MAX.  
(11-10) = 0.130 OHMS MAX.

HIPOT: 60 Hz, 2 SEC  
(7,14) TO (1,3) : 3750 VRMS  
(7,14) TO (10,11) : 2500 VRMS  
(10,11) TO (1,3) : 2500 VRMS  
(1,3,7,10,11,14) TO (CORE) : 2000 VRMS

This drawing is the property of Vitec Electronics Corporation. It is not a controlled document. Therefore it is subject to change without prior notice. Its intended use is to supply preliminary information only. Duplication of all or any part of this drawing is prohibited.

AF5122 58P6936\_102009



6213 El Camino Real, Carlsbad, CA 92009  
TEL: (760) 918-8831 FAX: (760) 918-8840  
<http://www.VitecCorp.com>