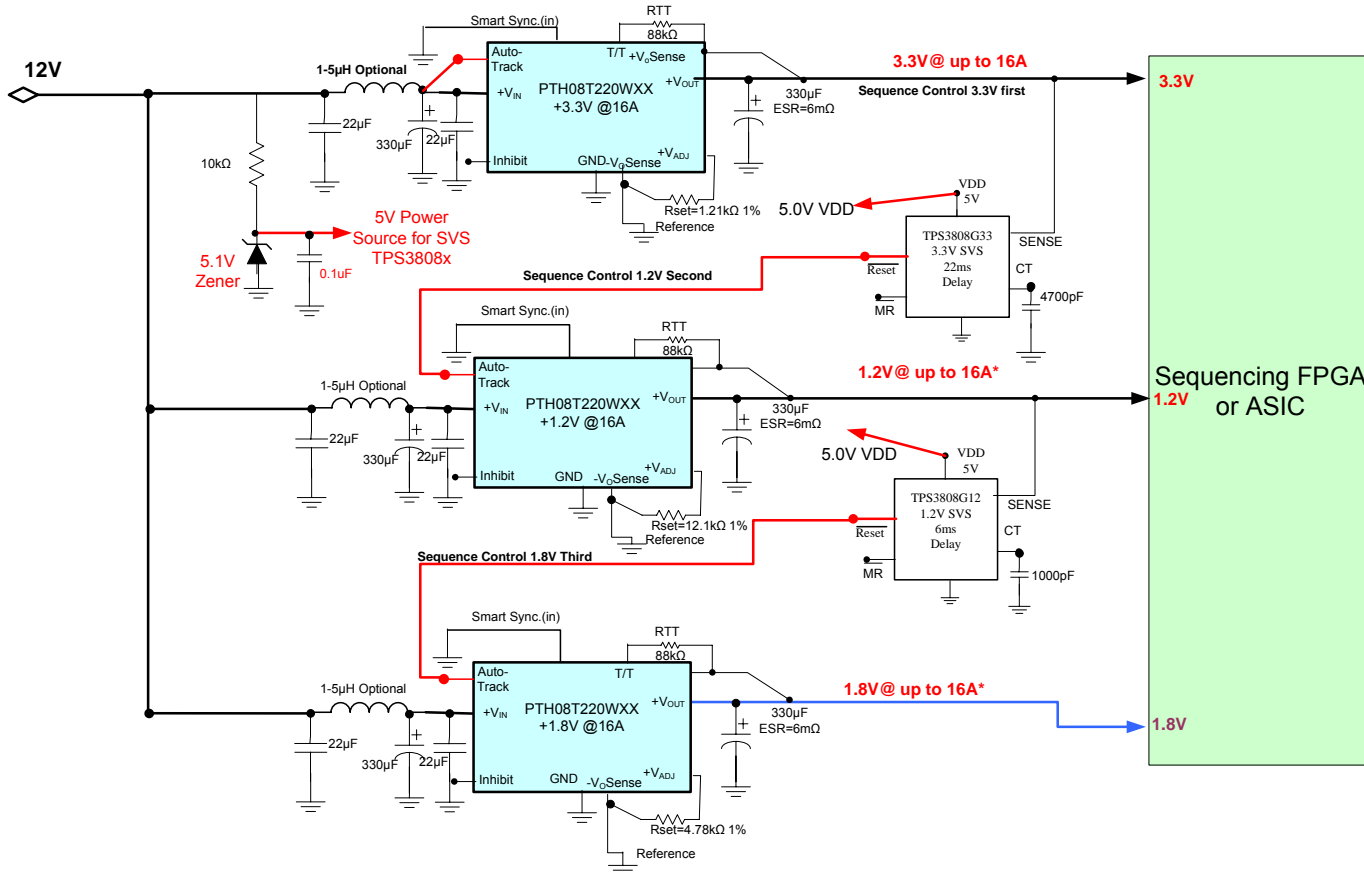


PTH08T220W Power Scheme 3.3V>1.2V>1.8V



*** Note: See Thermal Characteristics for Maximum operating Current**

Tomahawk (16) DSP Power Design (Initial)

