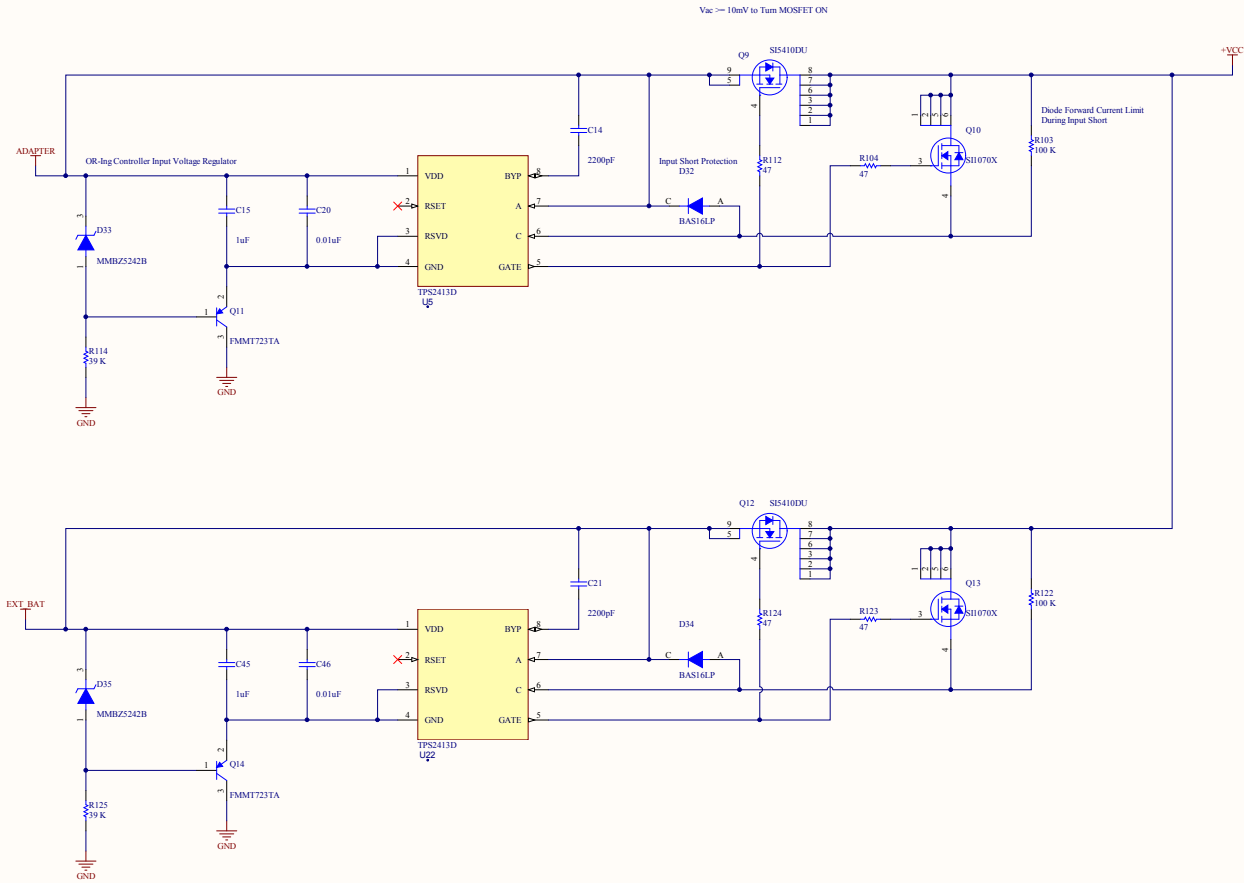


REVISIONS

REV	DESCRIPTION	REVISED BY	CHECKED/APPROVED	DATE



THIS DOCUMENT BELONGS TO HEARTWARE, INC. (HWI) AND IS CONFIDENTIAL. NO PART OF THIS DOCUMENT MAY BE DISCLOSED OR USED FOR ANY PURPOSE WITHOUT HWI'S WRITTEN PERMISSION.

HeartWare, Inc. 205 Newbury St, Suite 101, Framingham, MA 01701

Controller Board

Adapter and External Battery Switch

DRAWN: -DRAWN BY-	DATE: -DATE-	C	<Document Number>	0.1.0
CHECKED: -CHECKED BY-	DATE: -DATE-			
APPROVED: -APPROVED BY-	DATE: -DATE-			

DATE: 9/6/2011 SHEET 8 OF 11