

AC-Line Common Mode Choke

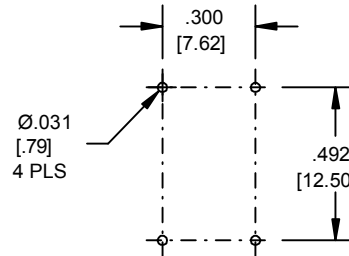
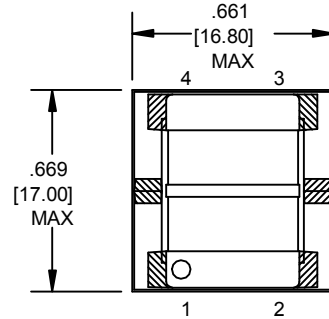
54P512-XXX

FEATURES

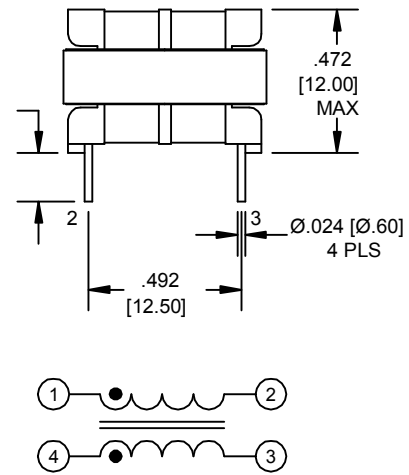
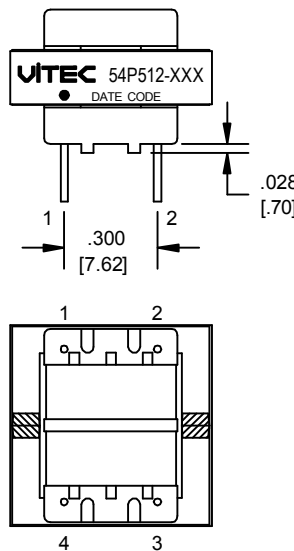
- Operating Temperature from -40°C to 105°C
- Manufactured to UL recognized 130 °C insulation system.
- Materials meet flammability requirements for UL 94V-0.

PRELIMINARY

MECHANICAL



SUGGESTED PCB LAYOUT



SCHEMATIC

ALL DIMENSIONS GIVEN IN INCHES (MM)
TOLERANCES UNLESS OTHERWISE SPECIFIED.
.XX±.01 [X±.25] .XXX±.005 [XX±.13] ANGULAR: ±1°

ELECTRICAL CHARACTERISTICS @ 25°C

Part Number		OCL (1-2), (4-3)	Turns Ratio	L1-L2 (1-4) SH (2-3)	DCR (1-2), (4-3)	Hipot (Pri-Sec)	Rated Current
Classic	RoHS	mH	-	uH	Ohms	VRMS	A RMS
		@10 KHz, 0.1VRMS	@10 KHz, 1VRMS	@100 KHz, 1VRMS	MAX	60 Hz 2 SEC	@ 40°C Trise
54P512-276	54PR512-276	27.00 ±30% (18.90-35.10)	1:1 ±1%	250	0.560	2000	1.00
54P512-226	54PR512-226	22.00 ±30% (15.40-28.60)	1:1 ±1%	200	0.500	2000	1.10
54P512-186	54PR512-186	18.00 ±30% (12.60-23.40)	1:1 ±1%	150	0.450	2000	1.15
54P512-156	54PR512-156	15.00 ±30% (10.50-19.50)	1:1 ±1%	135	0.400	2000	1.20
54P512-126	54PR512-126	12.00 ±30% (8.40-15.60)	1:1 ±1%	110	0.295	2000	1.40
54P512-106	54PR512-106	10.00 ±30% (7.00-13.00)	1:1 ±1%	95	0.265	2000	1.50

RoHS compliant version available

This drawing is the property of Vitec Electronics Corporation. It is not a controlled document. Therefore it is subject to change without prior notice. Its intended use is to supply preliminary information only. Duplication of all or any part of this drawing is prohibited.

AF4819-XXX 54P512-XXX_101607



6213 El Camino Real, Carlsbad, CA 92009
TEL: (760) 918-8831 FAX: (760) 918-8840
<http://www.VitecCorp.com>