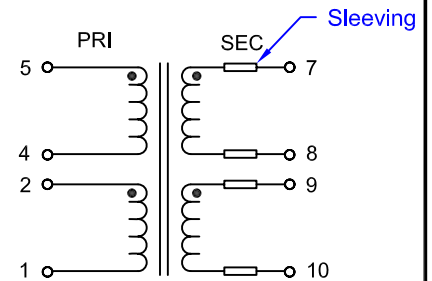


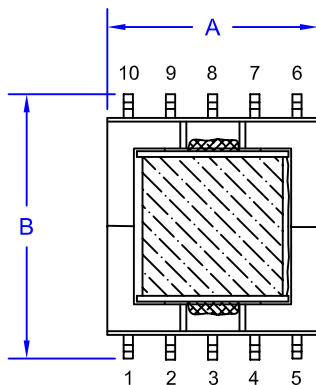
## Electrical Specification @ 25°C:

Inductance:	(5-4): 760 $\mu\text{H} \pm 15\%$ @ 100KHz, 0.1V
Leakage Inductance:	(5-4): 30 $\mu\text{H}$ Max, @ 100KHz, 0.1V with all other pins shorted
RDC:	(5-4): 2.7 $\Omega$ Max (2-1): 0.44 $\Omega$ Max (7-8): 1.3 m $\Omega$ Max (9-10): 2.5 m $\Omega$ Max
Turns Ratio:	@ 100kHz, 0.1V (5-4):(7-8)=1:0.5000 $\pm 5\%$ (5-4):(9-10)=1:0.0625 $\pm 5\%$ (5-4):(2-1)=1:0.5000 $\pm 5\%$
Hipot:	Pins (1,2,4,5) to (7,8,9,10) shorted: 3,000Vac for 2 Sec. @ 0.5mA (5-4) to (2-1): 1,000Vac for 2 Sec. @ 0.5mA

## Schematic:



## Mechanical Specification:



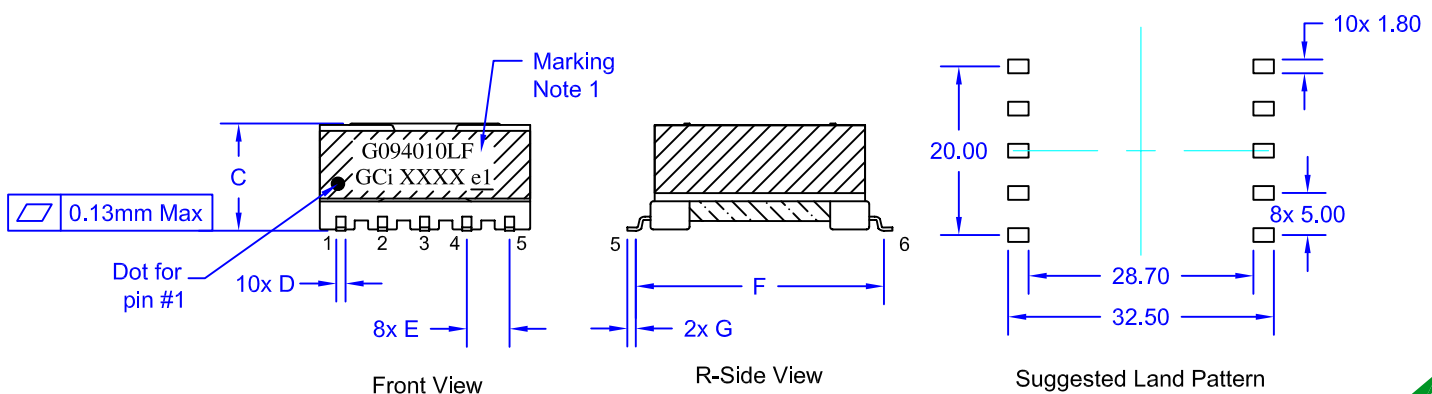
Top View

Dimensions Table	
Ref	mm
A	26.00 Max
B	32.50 Max
C	13.50 Max
D	(1.10 x 0.40) $\pm 0.10$
E	5.00 $\pm 0.25$
F	29.70 Ref
G	0.90 $\pm 0.10$

## Notes:

- Marking shall include:  
GCi Part Number,  
GCi Name, Date Code, LF  
RoHS Symbol.  
Marking

G094010LF GCi XXXX e1
--------------------------



"ALL CURRENT CHANGES INDICATED BY ASTERISKS"

### Mechanical / Electrical Specification

### CONTINUOUS MODE FLYBACK TRANSFORMER

DESIGN ENG: Javier H.	APPD. BY: Greg W.	RELEASED BY:	REV: 0	DRAFTER BY: June W.	DATE: 02/09/09
S/O NUMBER: 094010	GCi PART NO: G094010LF	CUSTOMER PART NO.: PMP4501	SHEET 1 OF 1		



\*\* Proprietary Notice \*\*  
This document contains GCi Technologies, Inc. Proprietary data and is not to be copied, reproduced, used, or divulged to unauthorized persons, in whole or in part without proper authorization in writing from GCi Technologies, Inc. GCi Technologies, Inc reserves all rights herein.