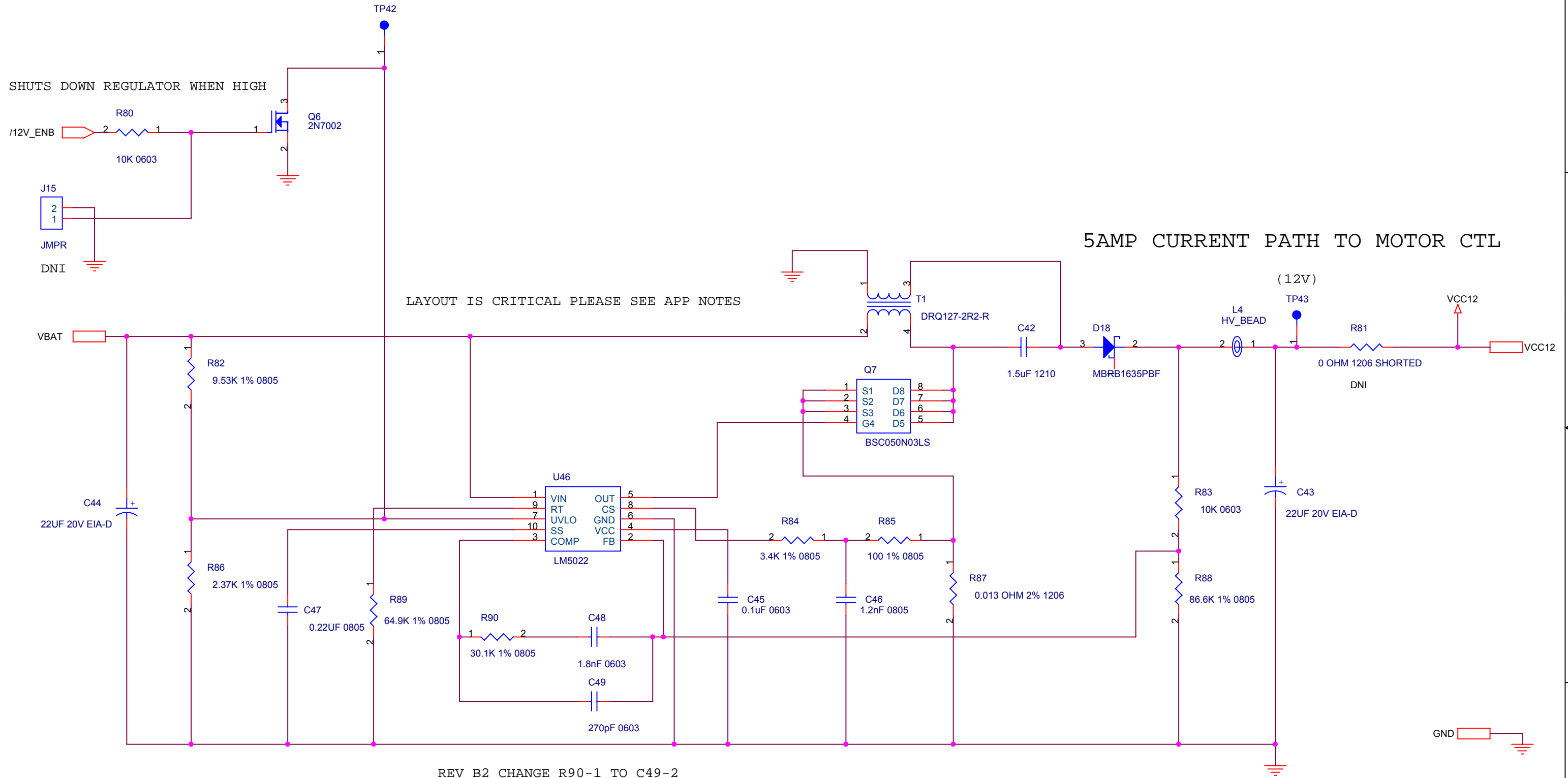


LAYOUT NOTE:
Place a heavy (50MIL) trace across pads of this 0 Ohm resistor



| | | |
|------------------------------|------------------------------|---------------|
| COPYRIGHT 2007 FIRELINX INC. | | |
| Title | 12V 5A SEPIC BOOST CONVERTER | |
| Size | Document Number | Rev |
| B | ACM_SCH_0118 | B1 |
| Date: | Monday, January 28, 2013 | Sheet 9 of 14 |