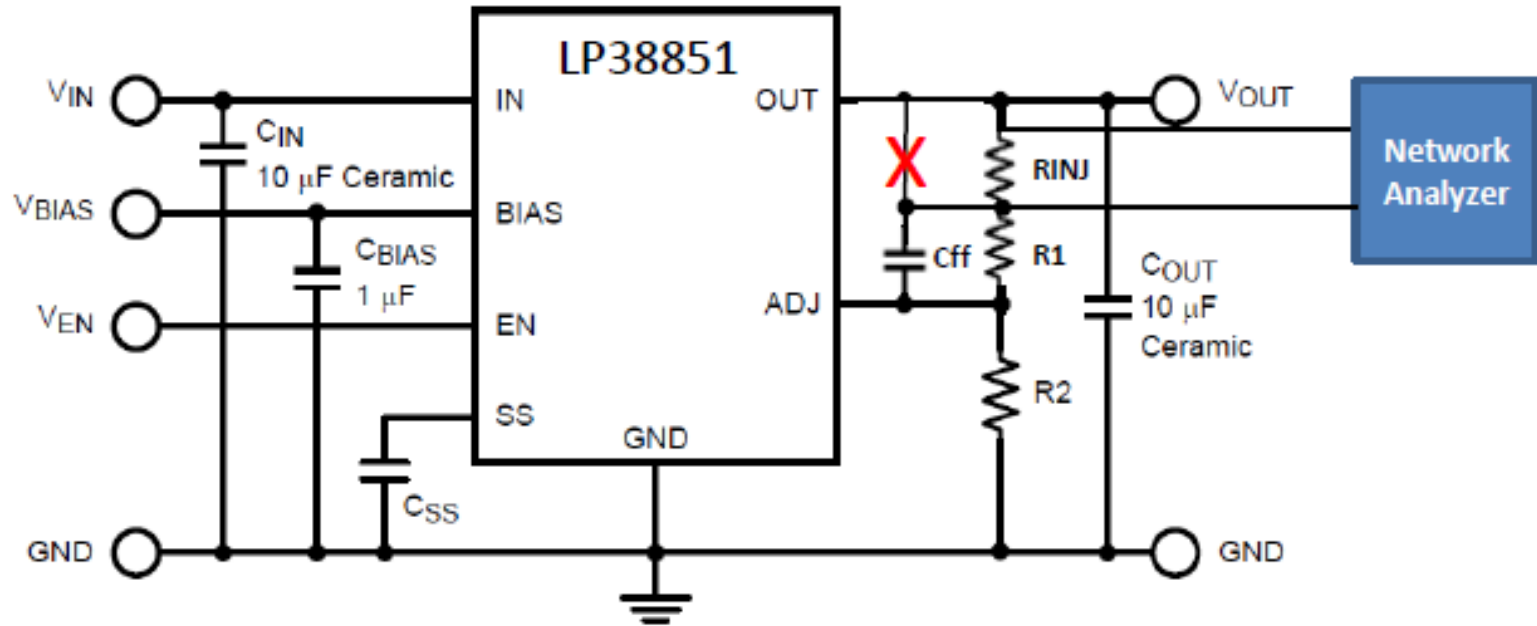


# Schematics



## \* Conditions

**$V_{in}=V_{en}=1.8\text{V}$**

**$V_{bias}=3.3\text{V}$**

**$V_{out}=1\text{V}$**

**$I_{out}=10\text{mA}, 100\text{mA}, 500\text{mA}$**

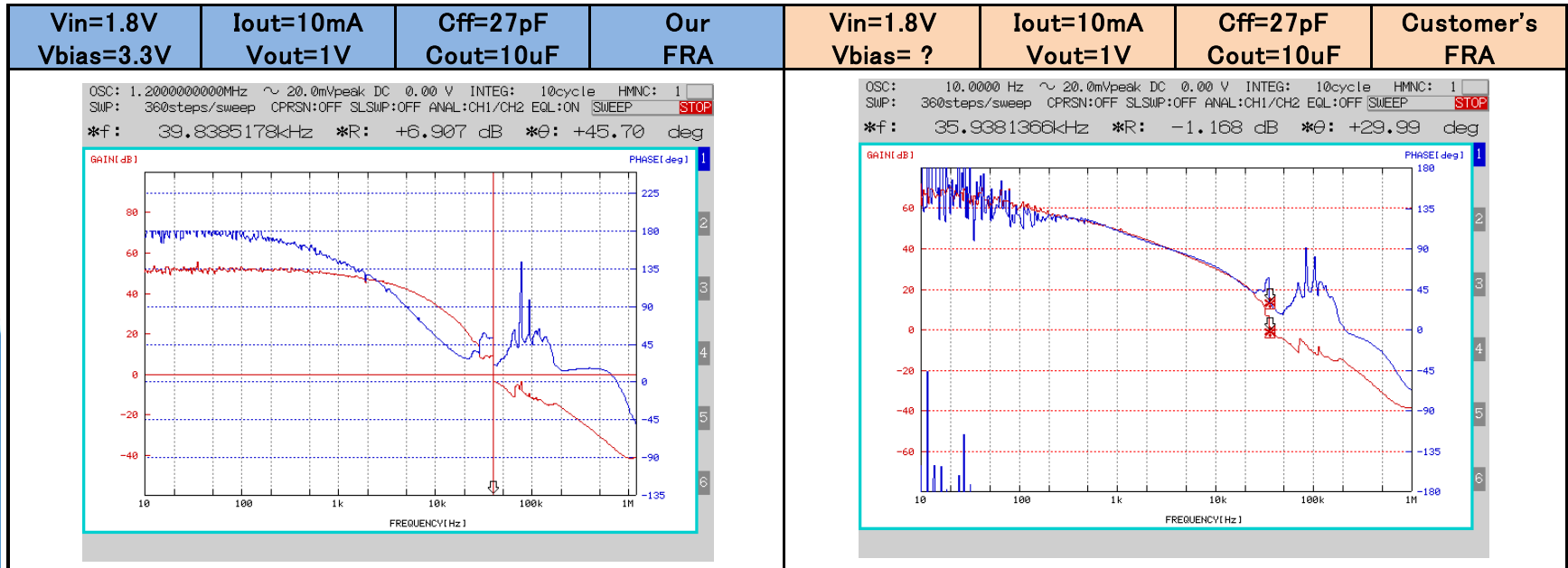
**$R_1=1\text{k}\Omega$**

**$R_2=1\text{k}\Omega$**

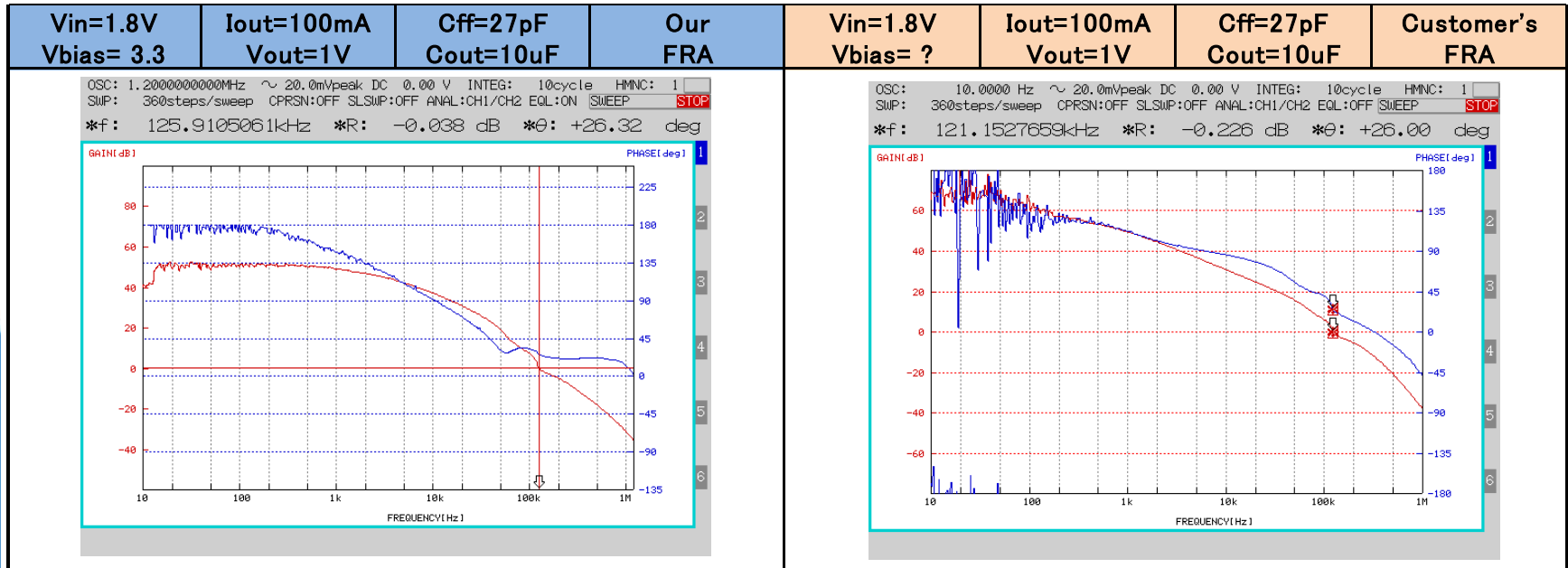
**$R_{INJ}=100\Omega$**

**$C_{ff}=27\text{pF}$**

# FRA result $I_{out}=10mA$



# FRA result $I_{out}=100mA$



# FRA result $I_{out}=500mA$

