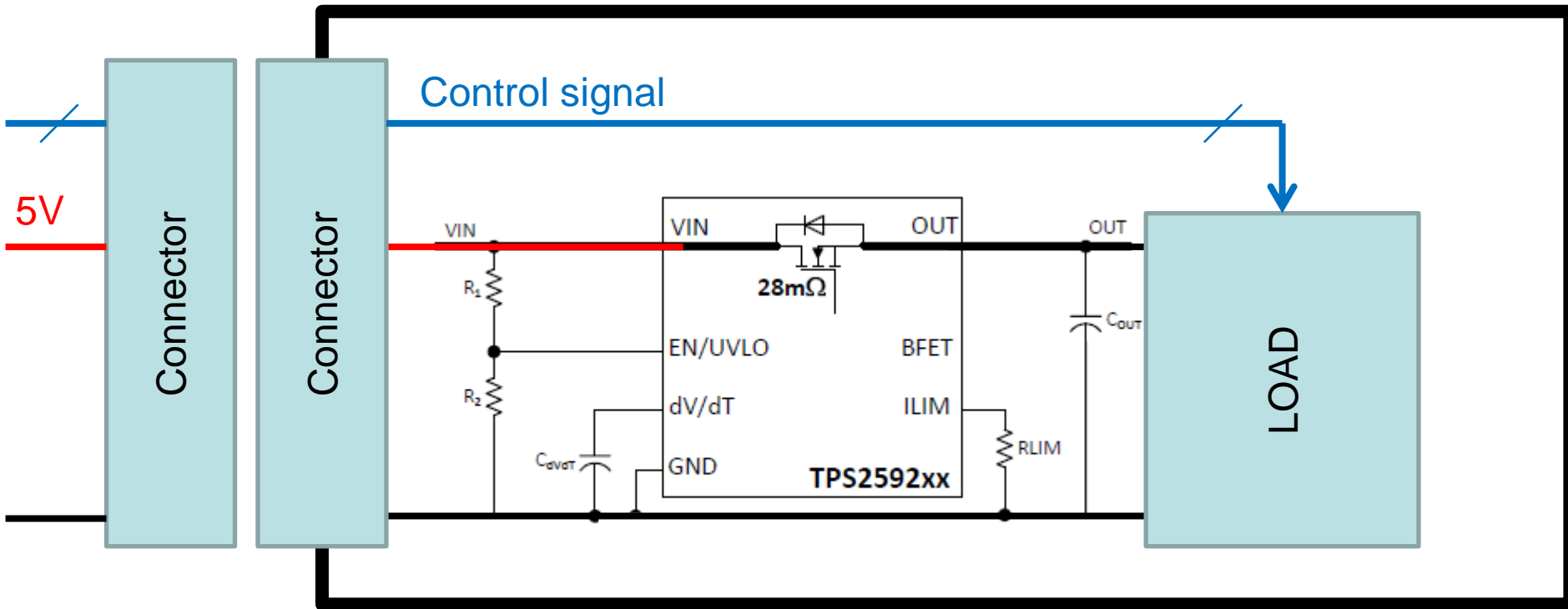


PCB



5V is hot-plugged to PCB via connector, then the 5V line may be connected first before GND line connected. Is there any concern or damage to TPS2592xx at this condition?

Some control signal lines are also connected.