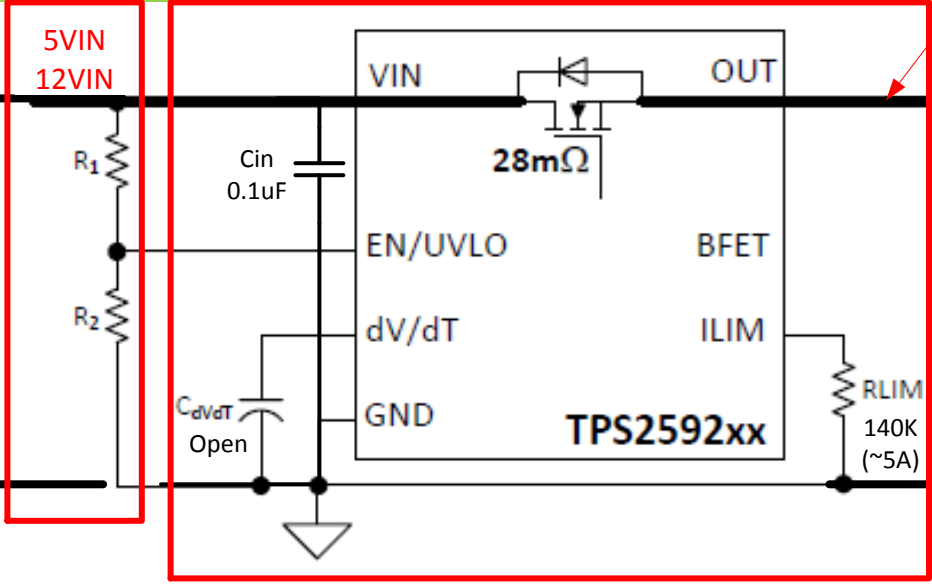


Can EN/UVLO be floated or tied to VIN?
Can a common R1 = R2 = 140K tied to 5VIN drive all 10 EN/UVLO pins?

10 circuits

Is a bypass cap or TVS needed near OUT pins?

Power Supply,
5V, 12V



**Load is
hot Swappable
Optical Disc Drive x5
With 5v and 12v**

**Cout Ranges from
100uf to 1000uF**

8-inch cable between Power Supply and PCBA. Powered (atypical) attach or detach of either cable end is possible.

2" x 2" PCBA with 5x TPS2592AA circuits and 5x TPS2592AB circuits.

24-inch cable between PCBA and loads. Powered attach or detach of either cable end is possible, load-end is typical.