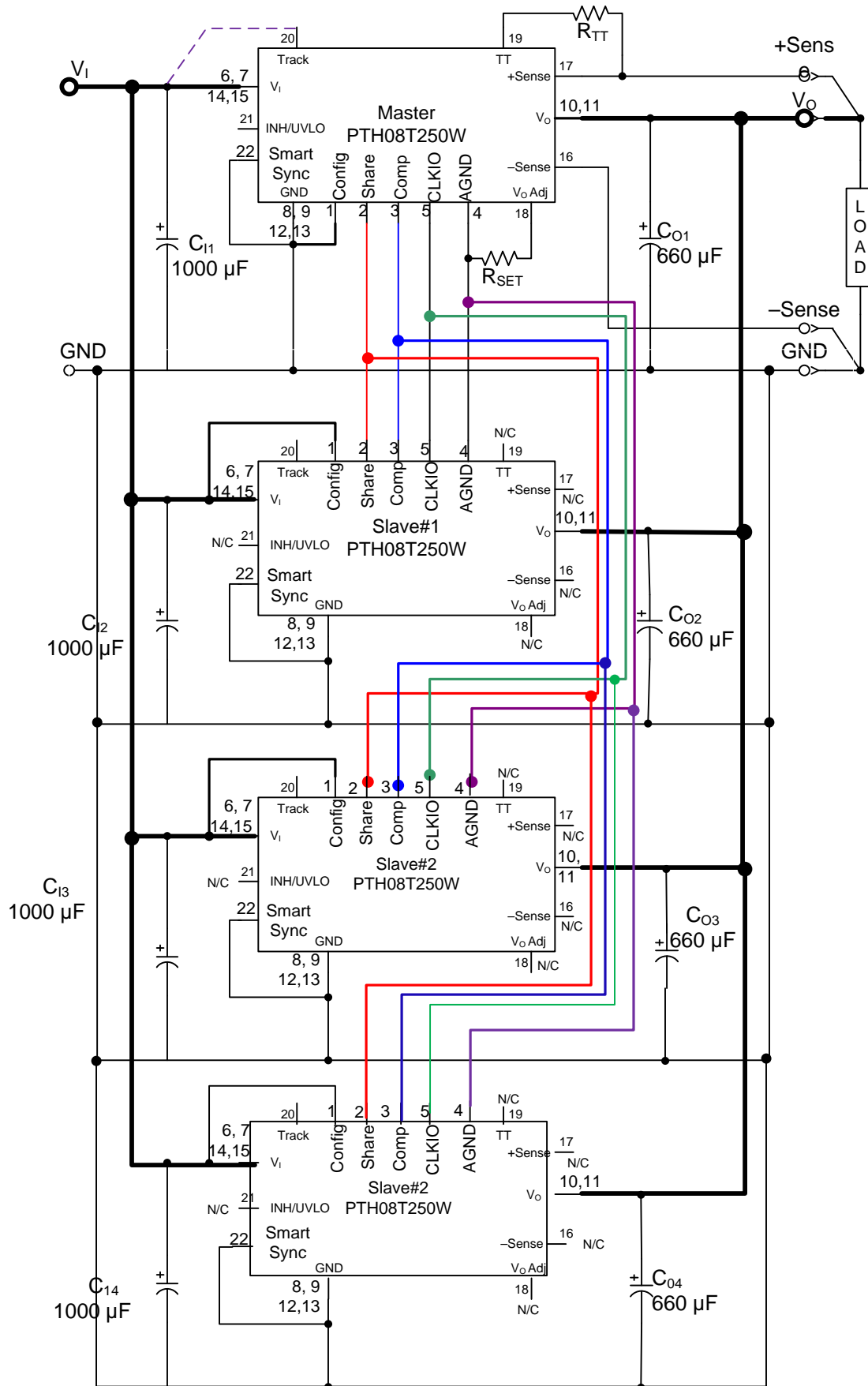


**PTH08T250W Current Sharing Schematic (1 Master and 3 Slaves)**


## PTH08T250W Recommended Layout of inter-connection pins and analog ground between 4 Current Sharing Modules

