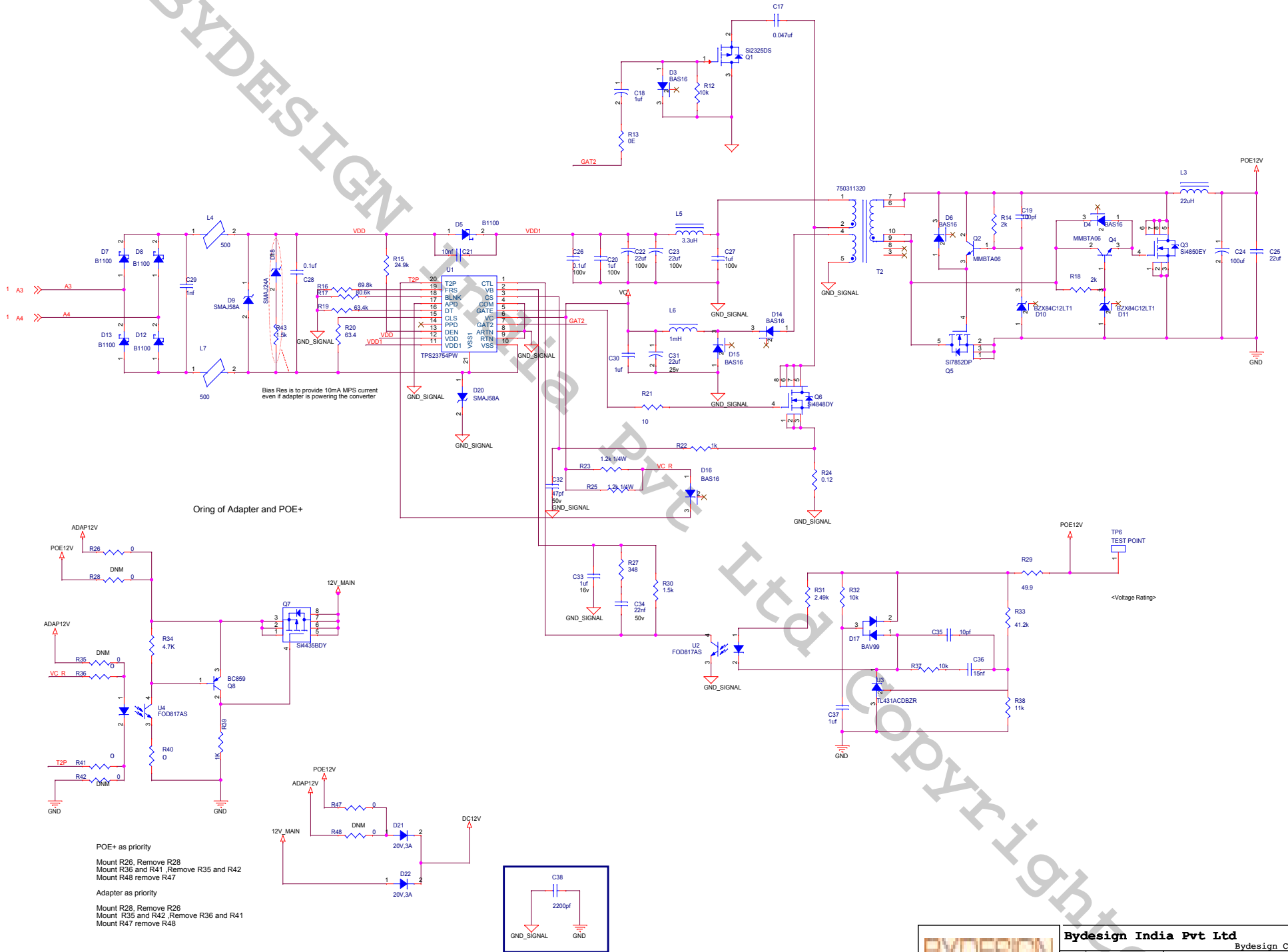
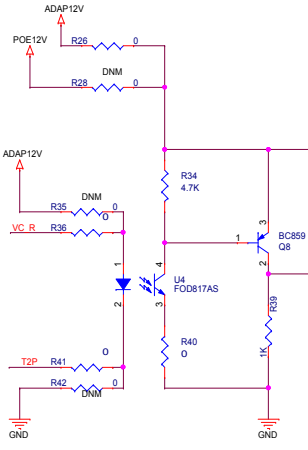


BYDESIGN

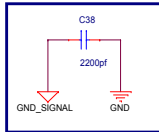


Oring of Adapter and POE+



POE+ as priority
 Mount R26, Remove R28
 Mount R36 and R41, Remove R35 and R42
 Mount R48 remove R47

Adapter as priority
 Mount R28, Remove R26
 Mount R35 and R42, Remove R36 and R41
 Mount R47 remove R48



Bydesign India Pvt Ltd				Bydesign Confidential
Size	Doc Name	DWG NO	Rev	
C	ZBC-2_POE_BOARD	0.3	1.0	
Scale	Designer	Sheet	2 of 2	
	Shwetha			

Friday, October 10, 2014