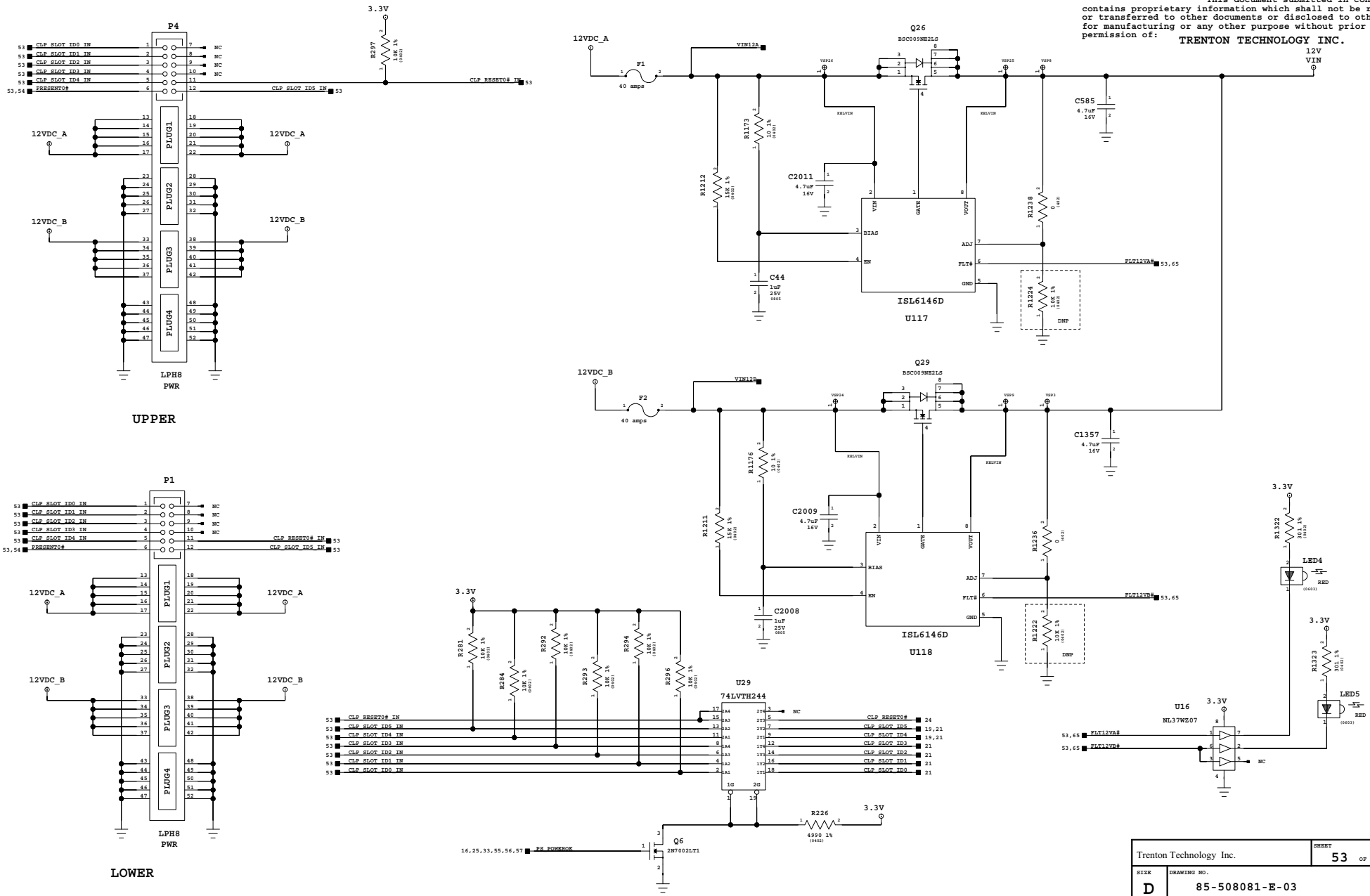
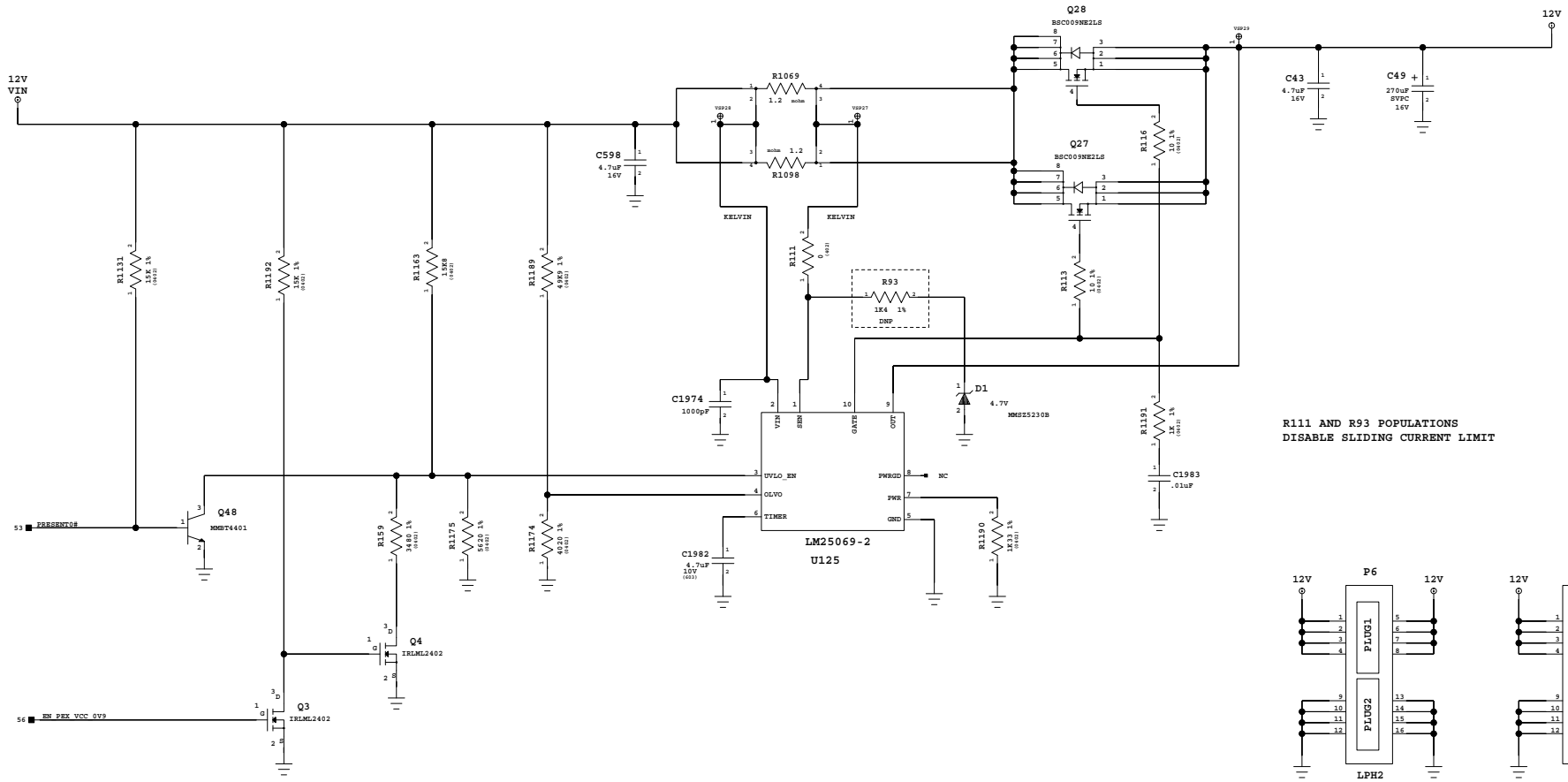


PROPRIETARY This document submitted in confidence, contains proprietary information which shall not be reproduced or transferred to other documents or disclosed to others or used for manufacturing or any other purpose without prior written permission of: **TRENTON TECHNOLOGY INC.**

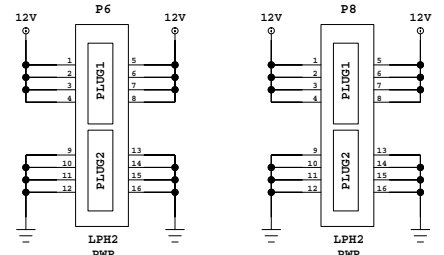


Trenton Technology Inc.		SHEET
DRAWING NO.		53 OF 68
D	85-508081-E-03	

PROPRIETARY This document submitted in confidence, contains proprietary information which shall not be reproduced or transferred to other documents or disclosed to others or used for manufacturing or any other purpose without prior written permission of: TRENTON TECHNOLOGY INC.



R111 AND R93 POPULATIONS
DISABLE SLIDING CURRENT LIMIT



HOT SWAP CONTROL

**LOWER
RISER
POWER**

**UPPER
RISER
POWER**