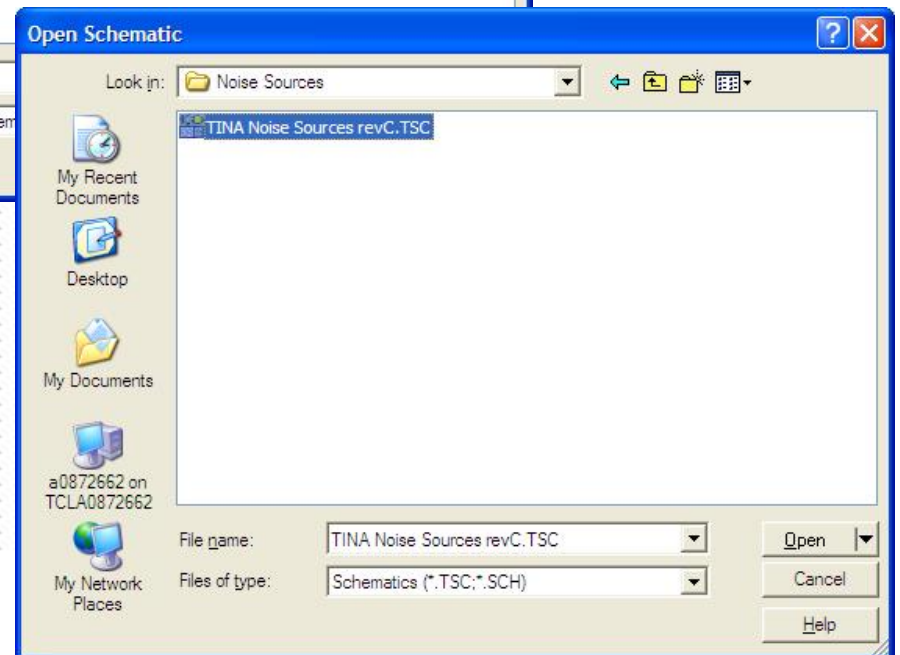
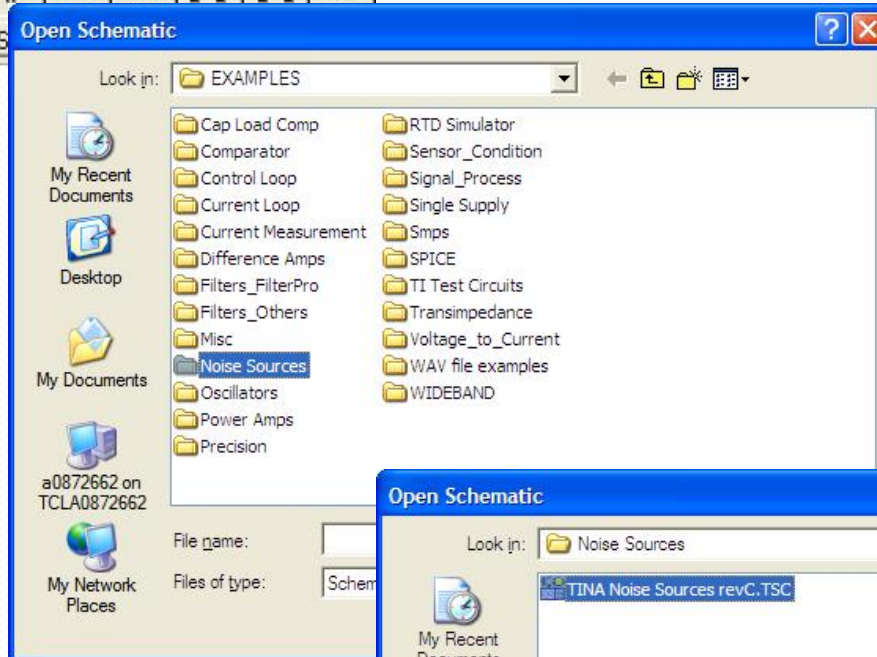
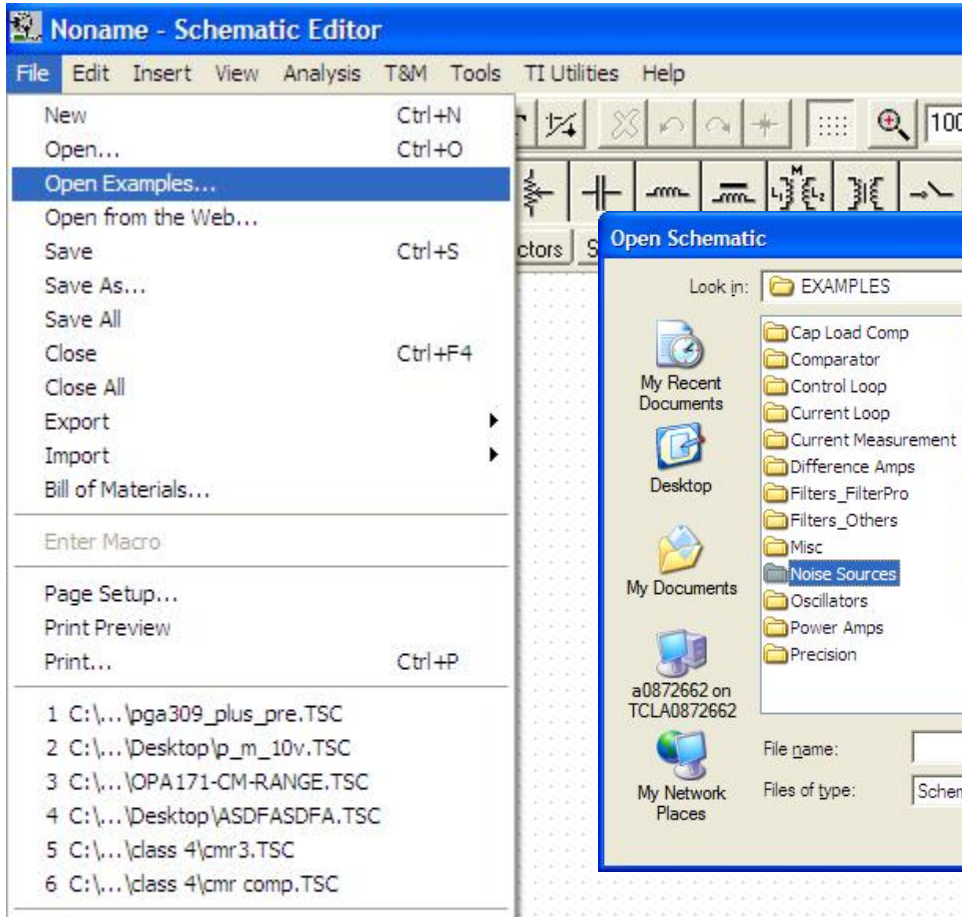


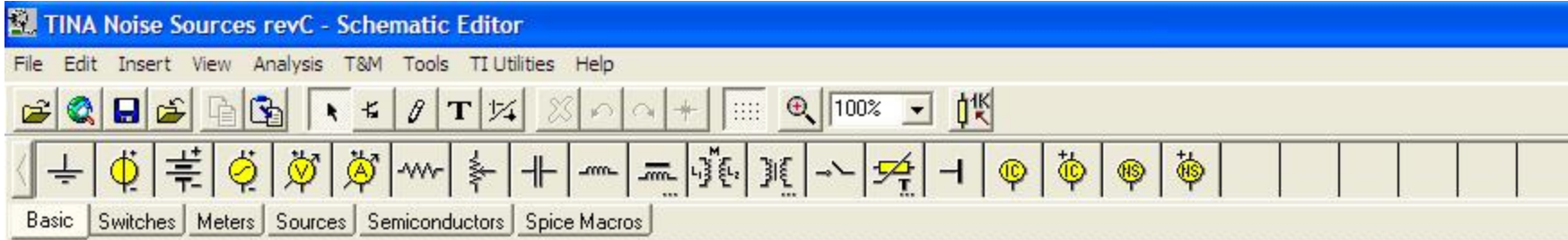
Finding Tina Noise Sources

May 22, 2012

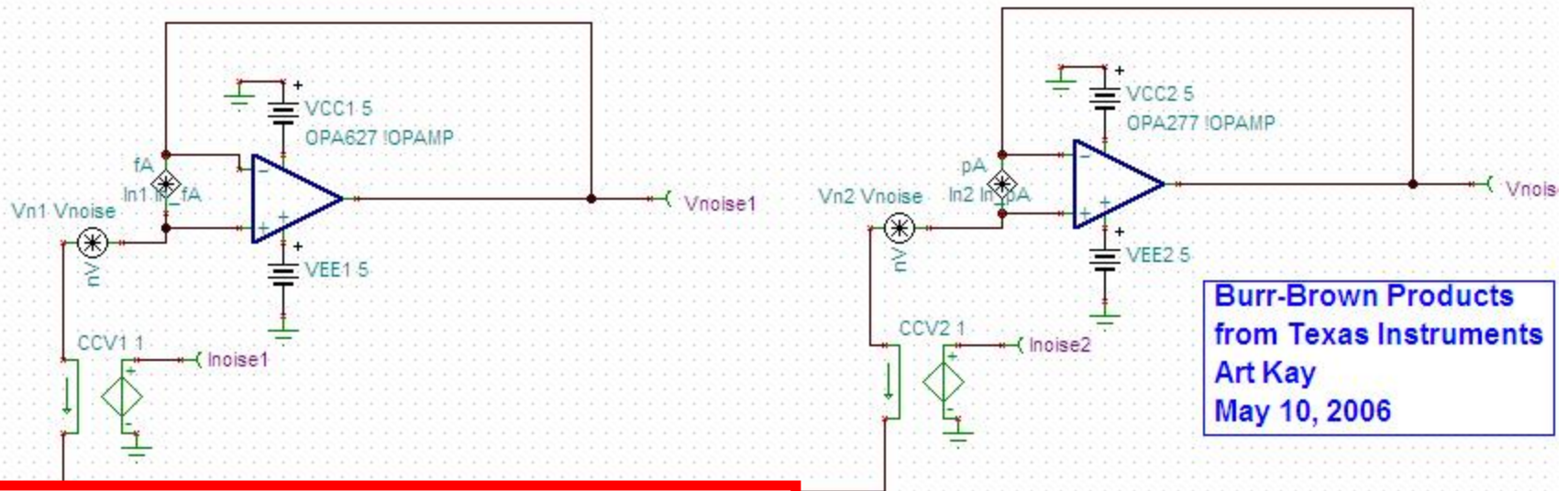


In Tina

1. Open Examples
2. Find Noise Source Folder.
3. Select "TINA Noise Sources revC.tsc"



TINA Noise Sources



Burr-Brown Products
from Texas Instruments
Art Kay
May 10, 2006

- In Tina
1. Use the above circuits as shown in the book.

refer to:
"Noise In Op Amp Circuits - Part IV: Introduction to SPICE Noise Analysis"
worth reviewing.

