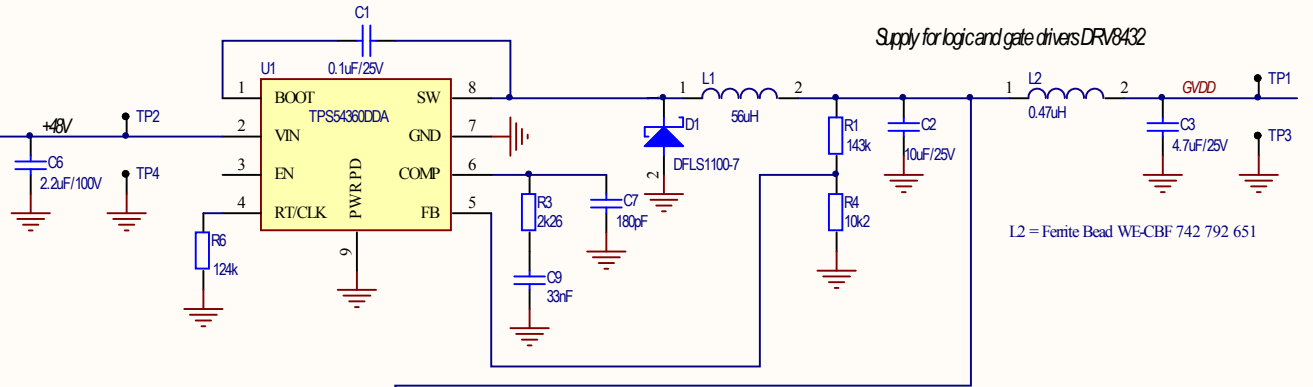
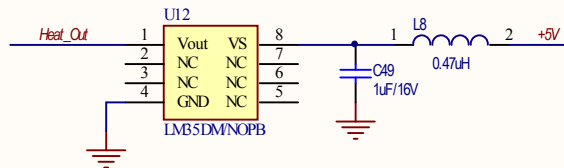
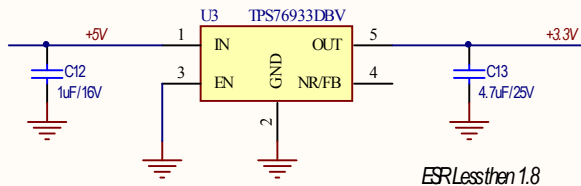
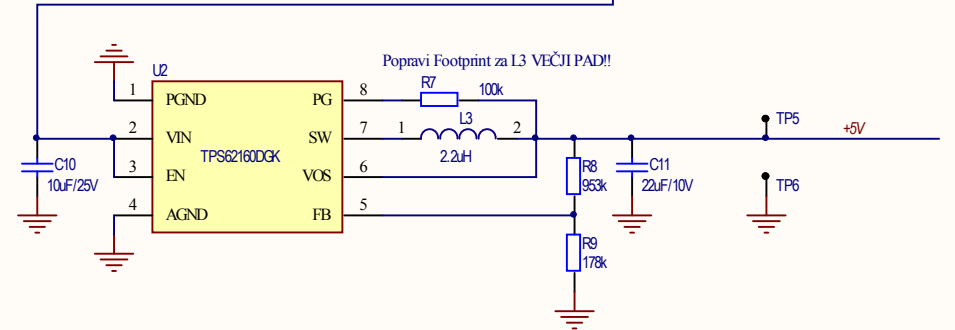


GMSTBA 2.5HC/ 2G7,62 Manufacturer Part #: 1728853



L2 = Ferrite Bead WE-CBF 742 792 651

Kondenzator C10 je lahko manjši



Heat sink temperature measurement 10mV/C

- MH1
- MHB
- MOUNTING HOLE 3MM
- MH2
- MHB
- MOUNTING HOLE 3MM
- MHB
- MHB
- MOUNTING HOLE 3MM
- MH4
- MHB
- MOUNTING HOLE 3MM



TPS54360DDA
DDA (RFDSOG), 8SO PowerPAD

TPS62160DGK
DGK (SFD SOG)

TPS76933DBV
DBV (RFDSOG) SOT-23