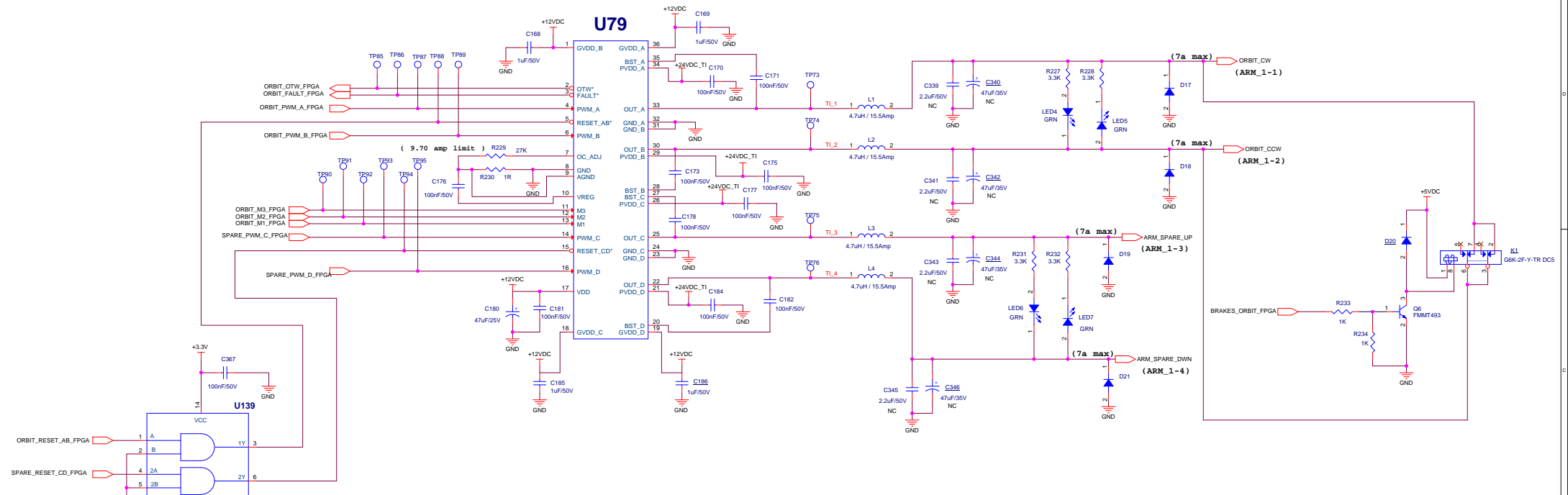
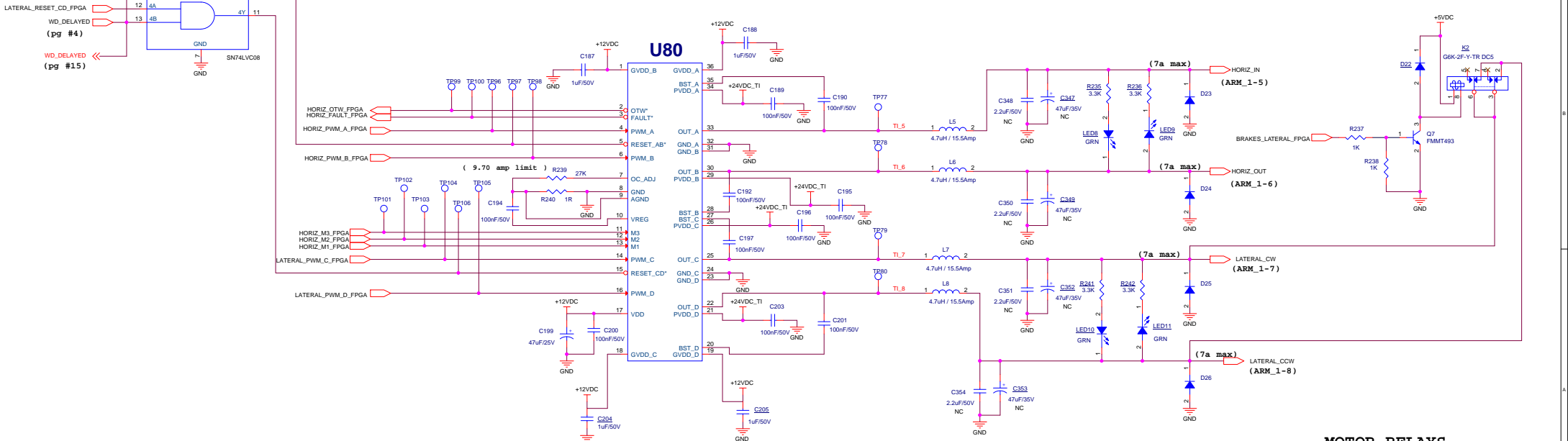


-- DUAL FULL BRIDGE --



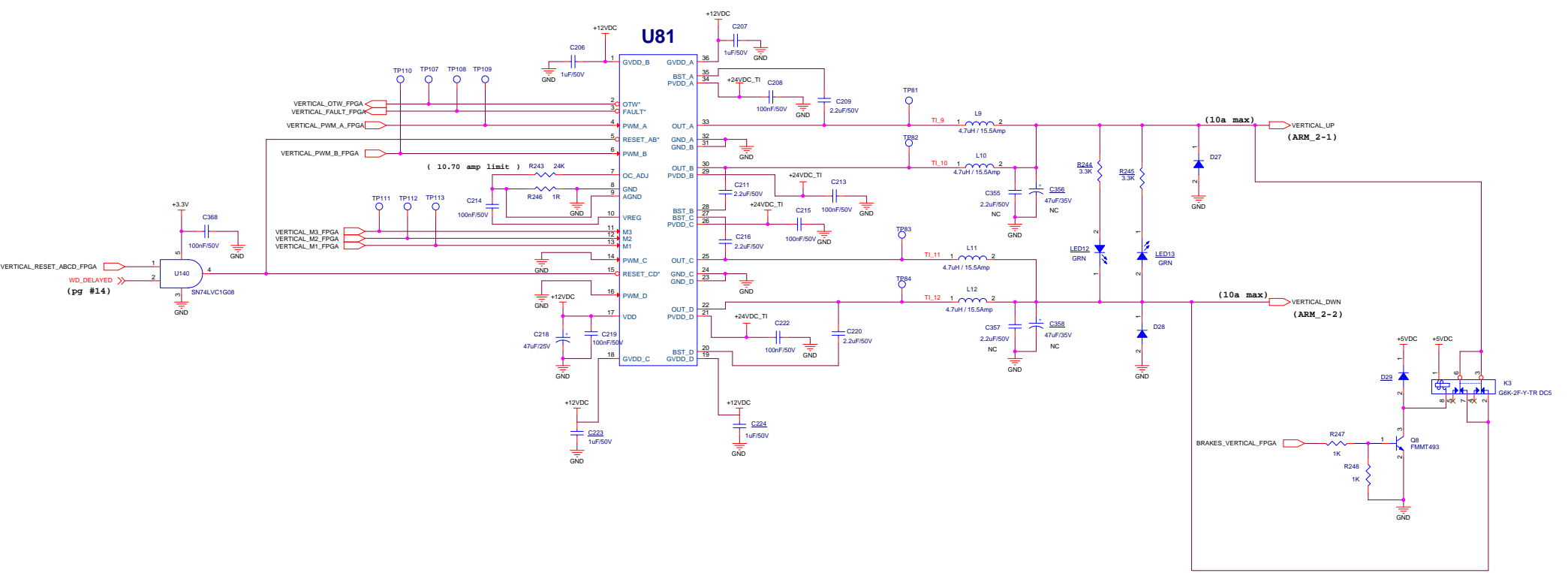
-- DUAL FULL BRIDGE --



MOTOR RELAYS

MEDISPEC LTD.	
Title	XR5 Control PCB
Size	Document Number XR-5-A060
A2	Rev C
Date:	Thursday, October 02, 2014 Sheet 14 of 24

-- PARALLEL FULL BRIDGE --



MOTOR RELAYS

MEDISPEC LTD.	
Title XR5 Control PCB	
Size A2	Document Number XR-5-A060
Date: Thursday, October 02, 2014	Sheet 15 of 24