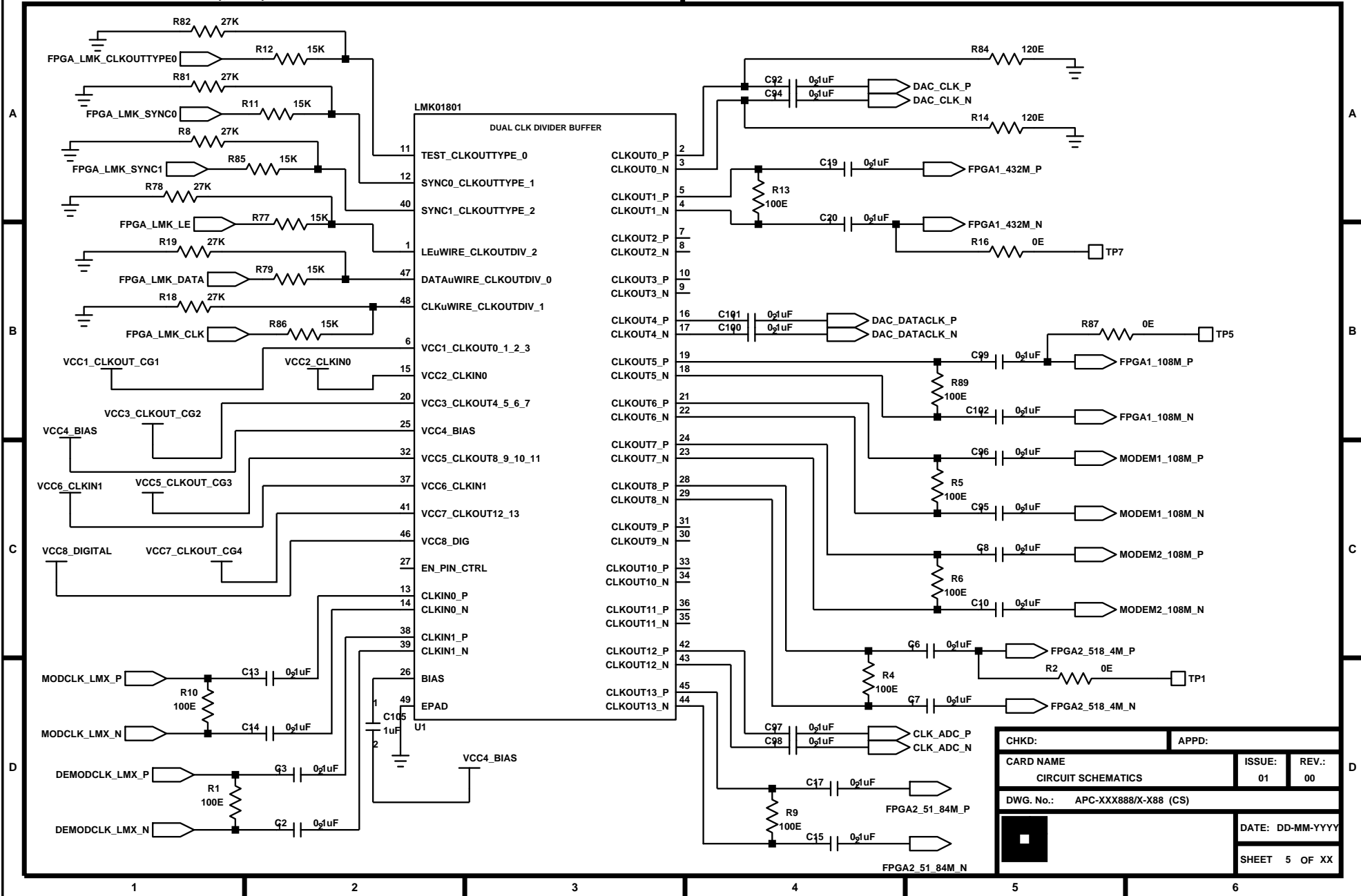
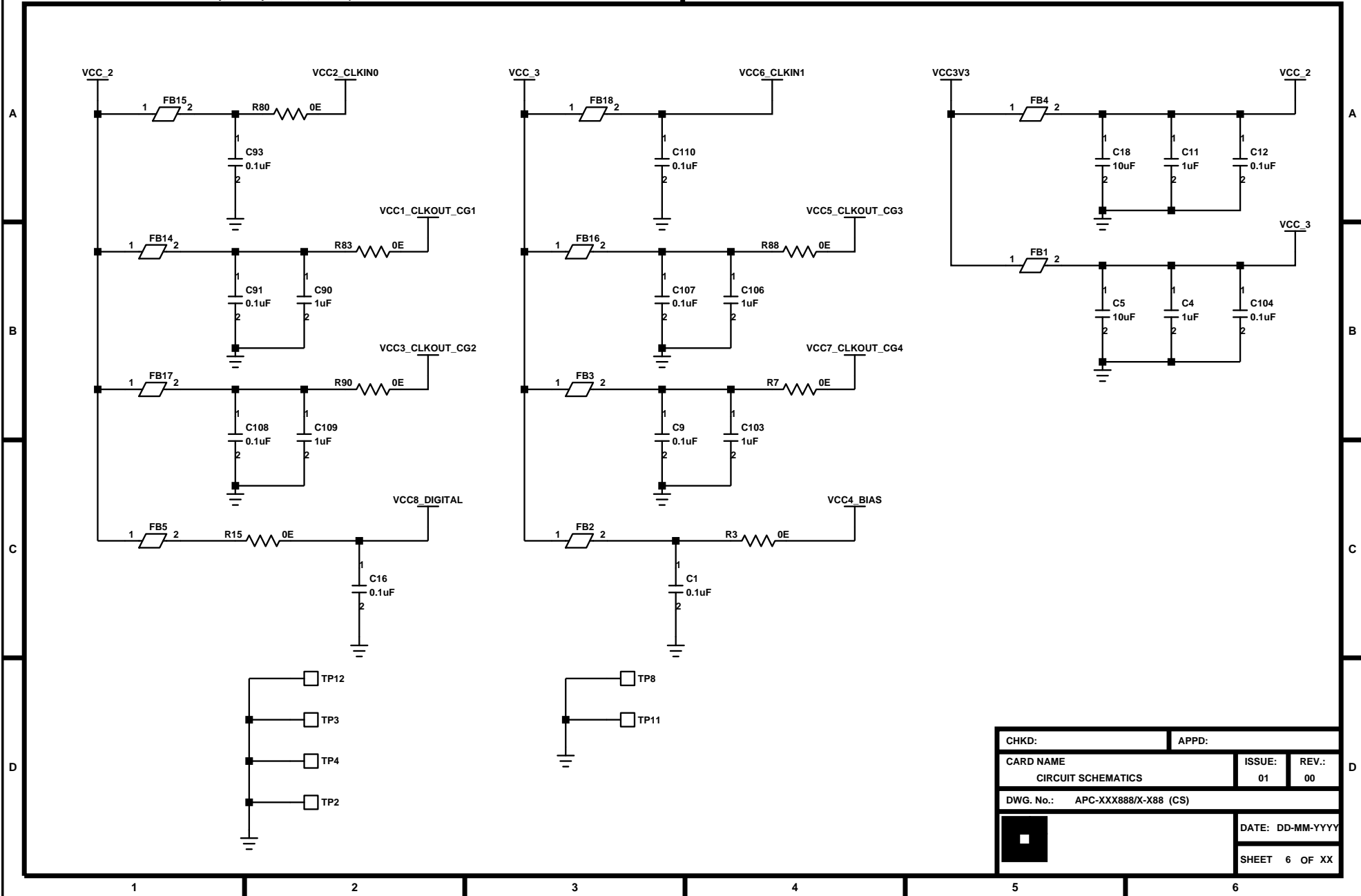


NOTE: DNP=DO NOT PLACE

CHKD:	APPD:	
CARD NAME	ISSUE: 01	REV.: 00
CIRCUIT SCHEMATICS		
DWG. No.: APC-XXX888/X-X88 (CS)		
DATE: DD-MM-YYYY		SHEET 4 OF XX



CHKD:	APPD:	
CARD NAME CIRCUIT SCHEMATICS	ISSUE: 01	REV.: 00
DWG. No.: APC-XXX888/X-X88 (CS)		
DATE: DD-MM-YYYY		SHEET 5 OF XX



CHKD:	APPD:
CARD NAME CIRCUIT SCHEMATICS	ISSUE: 01 REV.: 00
DWG. No.: APC-XXX888/X-X88 (CS)	
	DATE: DD-MM-YYYY
	SHEET 6 OF XX