

ALPHA DESIGN TECHNOLOGIES PVT LTD, HYD.

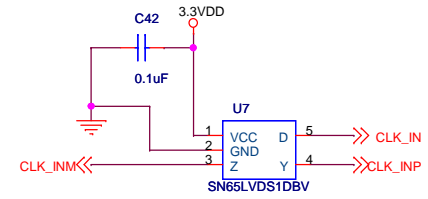
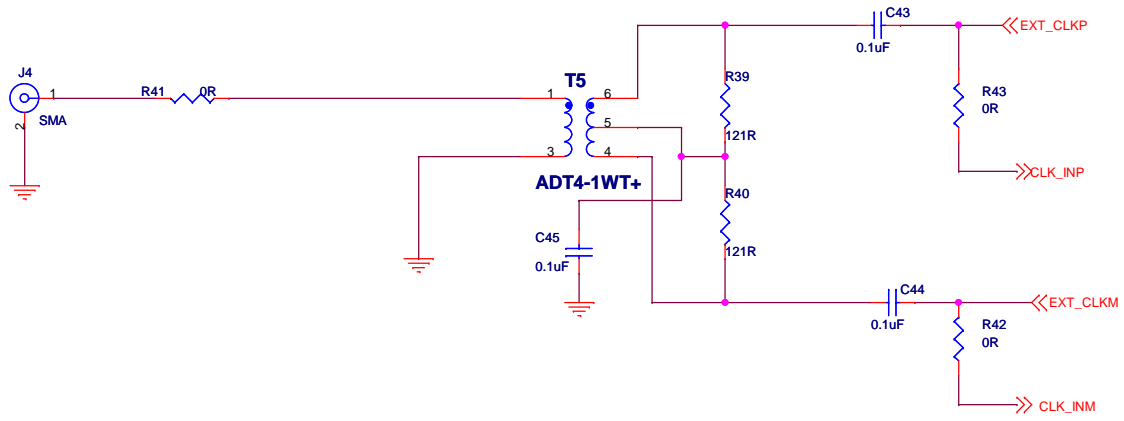
Designed By: R. Harsha

Title
ADC BOARD

Approved By:

Size B Document Number 2370 527 201 Rev 0.0

Date: Sheet 1 of 5



ALPHA DESIGN TECHNOLOGIES PVT LTD, HYD.

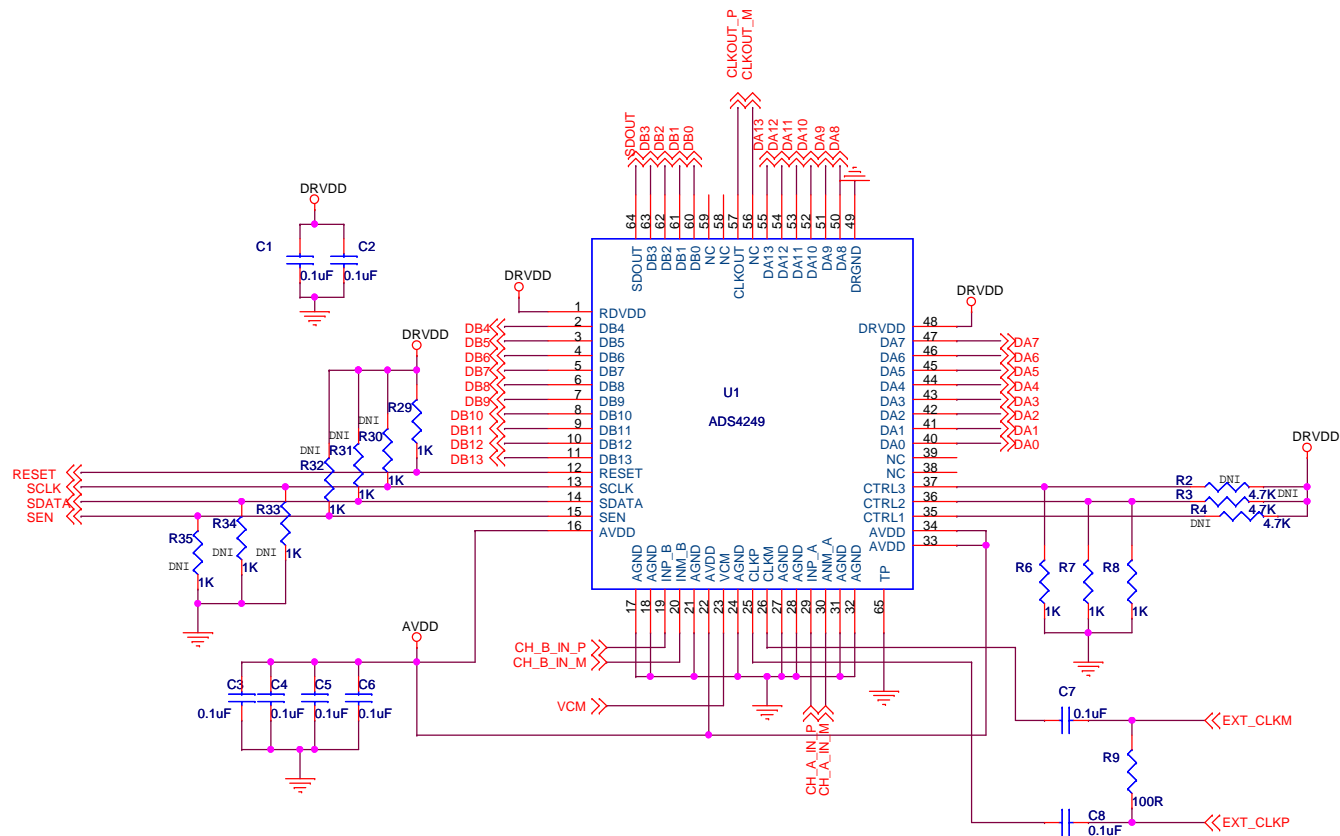
Designed By: *R. Harsha*

Title
ADC BOARD

Approved By:

Size B	Document Number 2370 527 201	Rev 0.0
-----------	--	------------

Date: Sheet 2 of 5



ALPHA DESIGN TECHNOLOGIES PVT LTD, HYD.

Designed By: *R. Harsha*

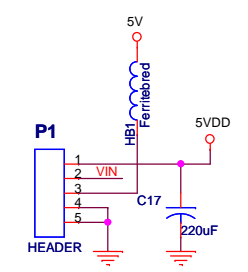
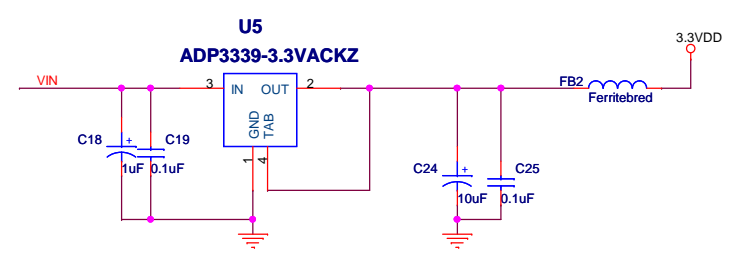
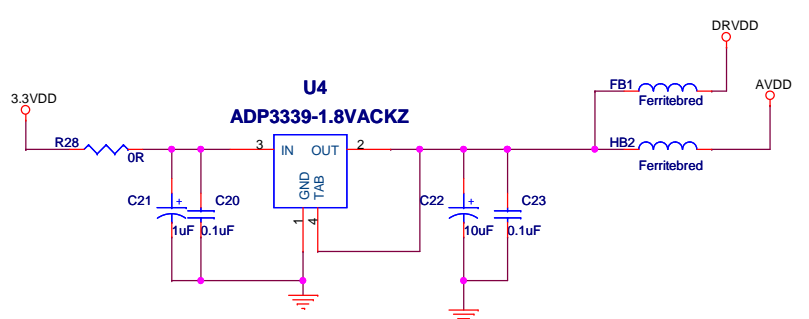
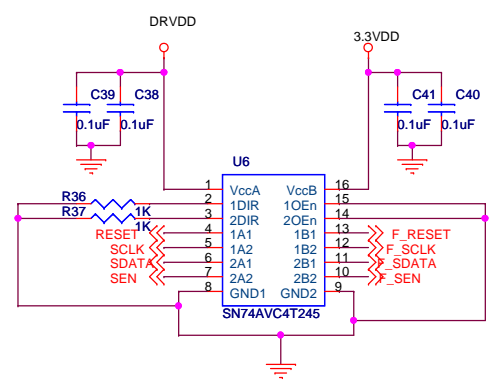
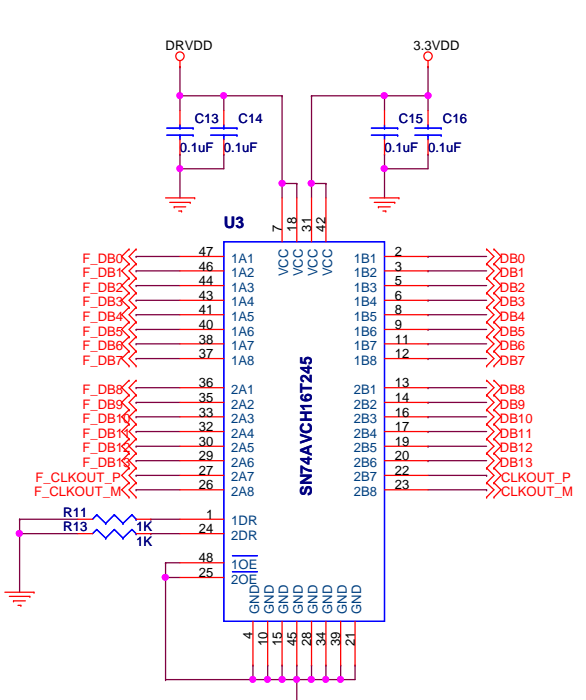
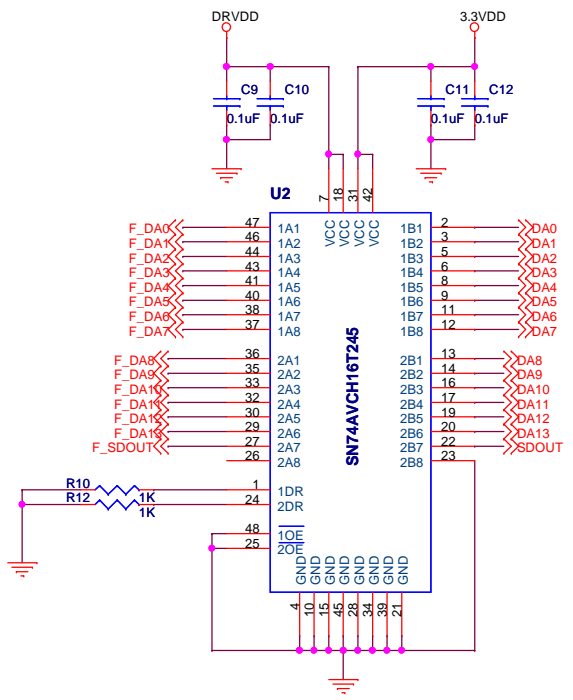
Title: **DATA ACQUISITION BOARD**

Approved By:

Size B	Document Number	Rev 0.0
--------	-----------------	---------

2370 527 201

Date:	Sheet 3 of 5
-------	--------------



ALPHA DESIGN TECHNOLOGIES PVT LTD, HYD.

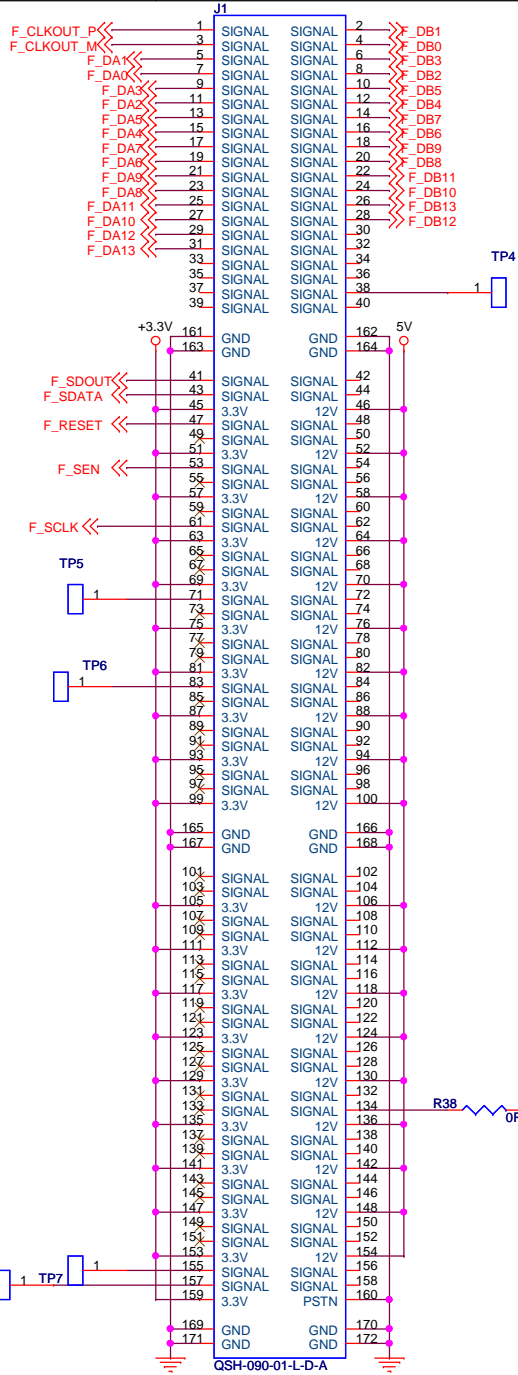
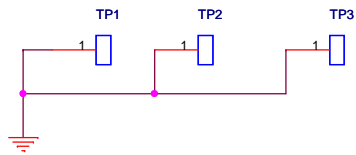
Designed By: *R. Harsha*

Title: **ADC BOARD**

Approved By:

Size B Document Number **2370 527 201** Rev 0.0

Date: Sheet 4 of 5



		ALPHA DESIGN TECHNOLOGIES PVT LTD, HYD.	
Designed By: <i>R. Harsha</i>		Title ADC BOARD	
Approved By:		Size B	Document Number 2370 527 201
		Date:	Rev 0.0
		Sheet 5 of 5	