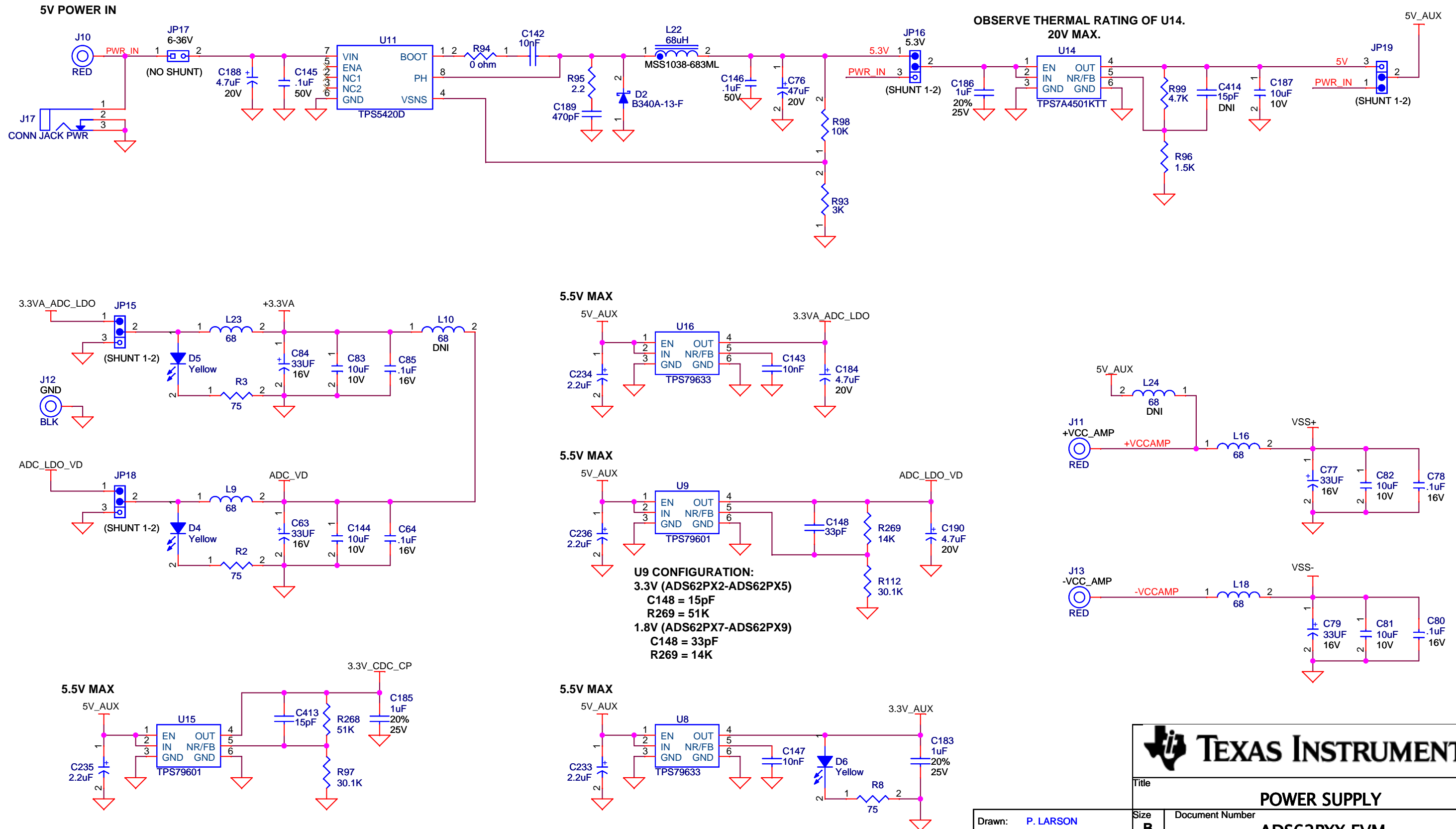


# POWER OPTIONS:

**OPTION 1: (DEFAULT) J10 = J17 = 5.5V MAX, LDO SOLUTION ONLY; JP17(NO SHUNT), JP16(1-2), JP19(1-2), JP15(1-2), JP18(1-2).**

**OPTION 2: JP10 = 6V-36V DC/DC CONVERTER + LDO SOLUTION; JP17(1-2), JP16(1-2), JP19(2-3), JP15(1-2), JP18(1-2).**

**OPTION 3: J10 = J17 = NO POWER, ISOLATED SUPPLY OPTION; JP17(NO SHUNT), JP16(NO SHUNT), JP19 (NO SHUNT), JP15(3.3V AT PIN2), JP18(1.8V AT PIN2).**



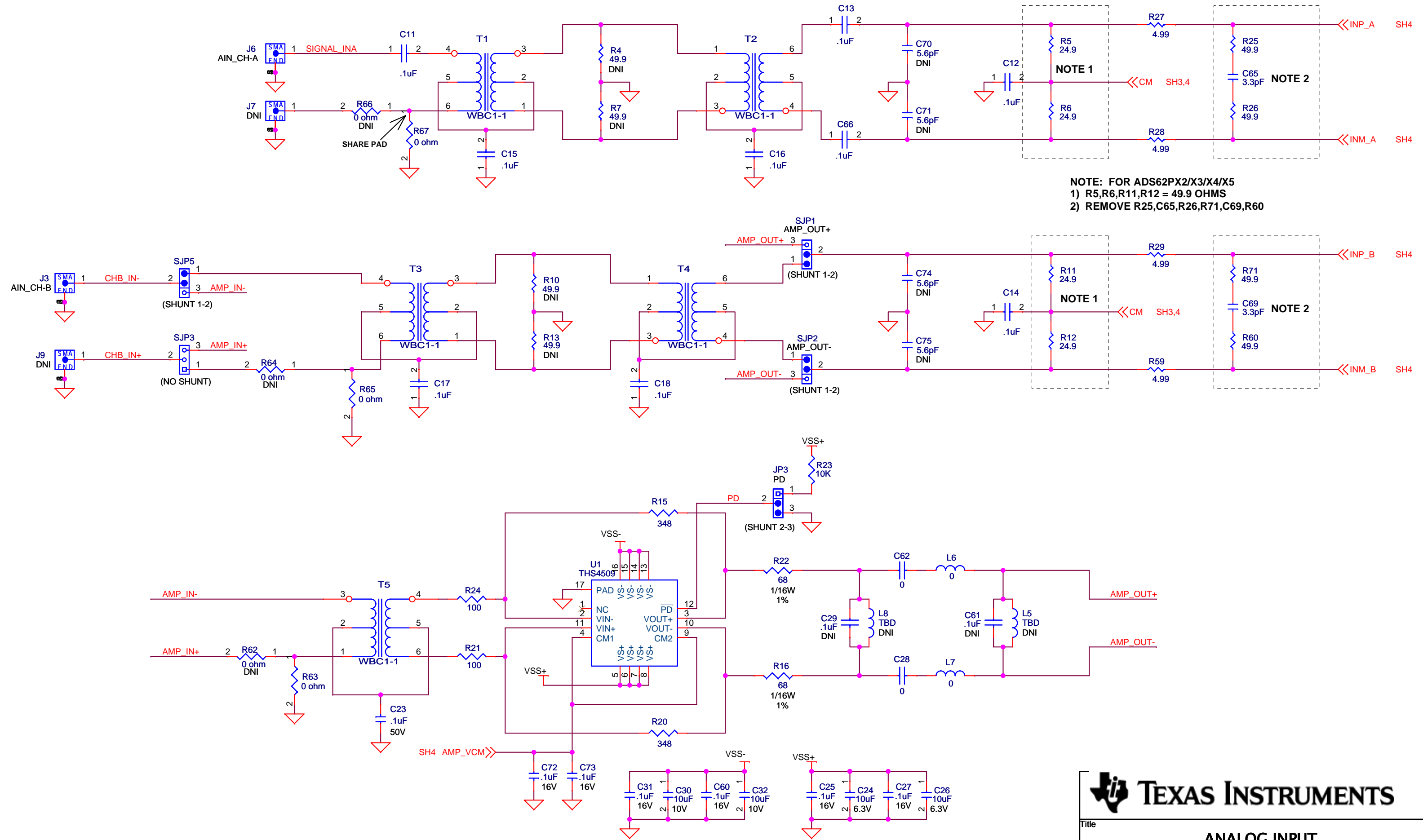
**TEXAS INSTRUMENTS**

Title: **POWER SUPPLY**

Size: **B** Document Number: **ADS62PXX EVM** Rev: **D**

Drawn: **P. LARSON** Date: **Tuesday, July 20, 2010** Sheet: **1** of **6**

Engineer: **K. HSIA**



**NOTE: FOR ADS62PX2/X3/X4/X5**  
 1) R5,R6,R11,R12 = 49.9 OHMS  
 2) REMOVE R25,C65,R26,R71,C69,R60

**NOTE 1**  
 CM SH3,4

**NOTE 2**

**TEXAS INSTRUMENTS**

Title: **ANALOG INPUT**

Size **B** Document Number **ADS62PXX EVM** Rev **D**

Date: Tuesday, June 01, 2010 Sheet 2 of 6

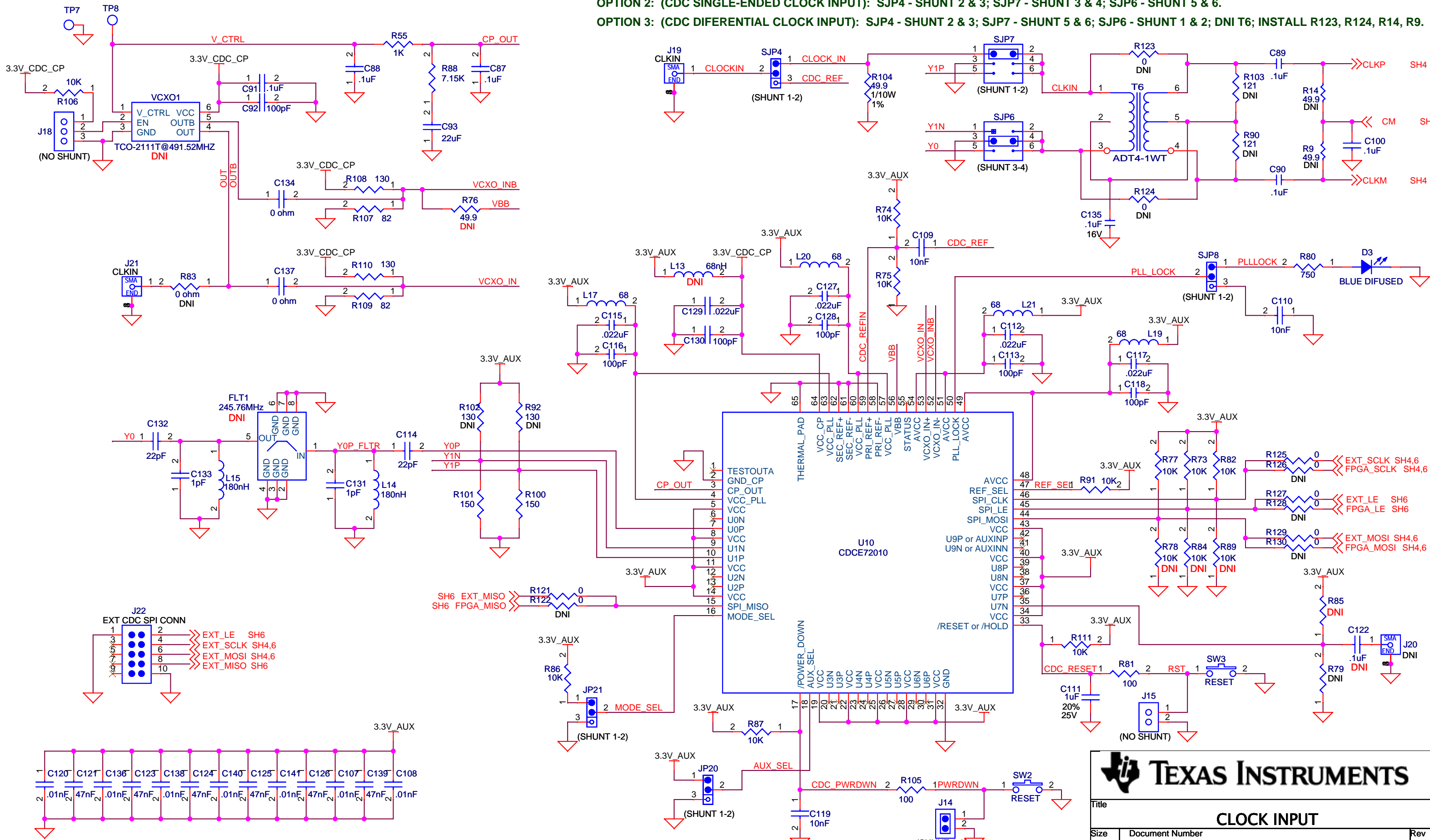
NOTE: FOR TSW4200, USE CDC OPTION 2 AND INSTALL: VCXO1, FLT1.

### CDC OPTIONS:

OPTION 1: (DEFAULT): SJP4 - SHUNT 1 & 2; SJP7 - SHUNT 1 & 2; SJP6 - SHUNT 3 & 4.

OPTION 2: (CDC SINGLE-ENDED CLOCK INPUT): SJP4 - SHUNT 2 & 3; SJP7 - SHUNT 3 & 4; SJP6 - SHUNT 5 & 6.

OPTION 3: (CDC DIFFERENTIAL CLOCK INPUT): SJP4 - SHUNT 2 & 3; SJP7 - SHUNT 5 & 6; SJP6 - SHUNT 1 & 2; DNI T6; INSTALL R123, R124, R14, R9.

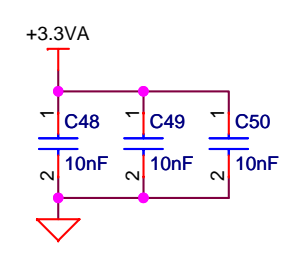
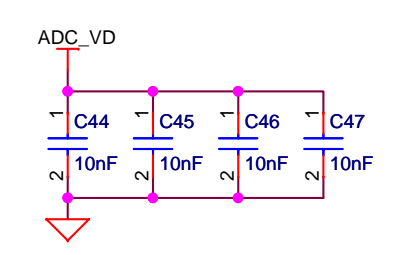
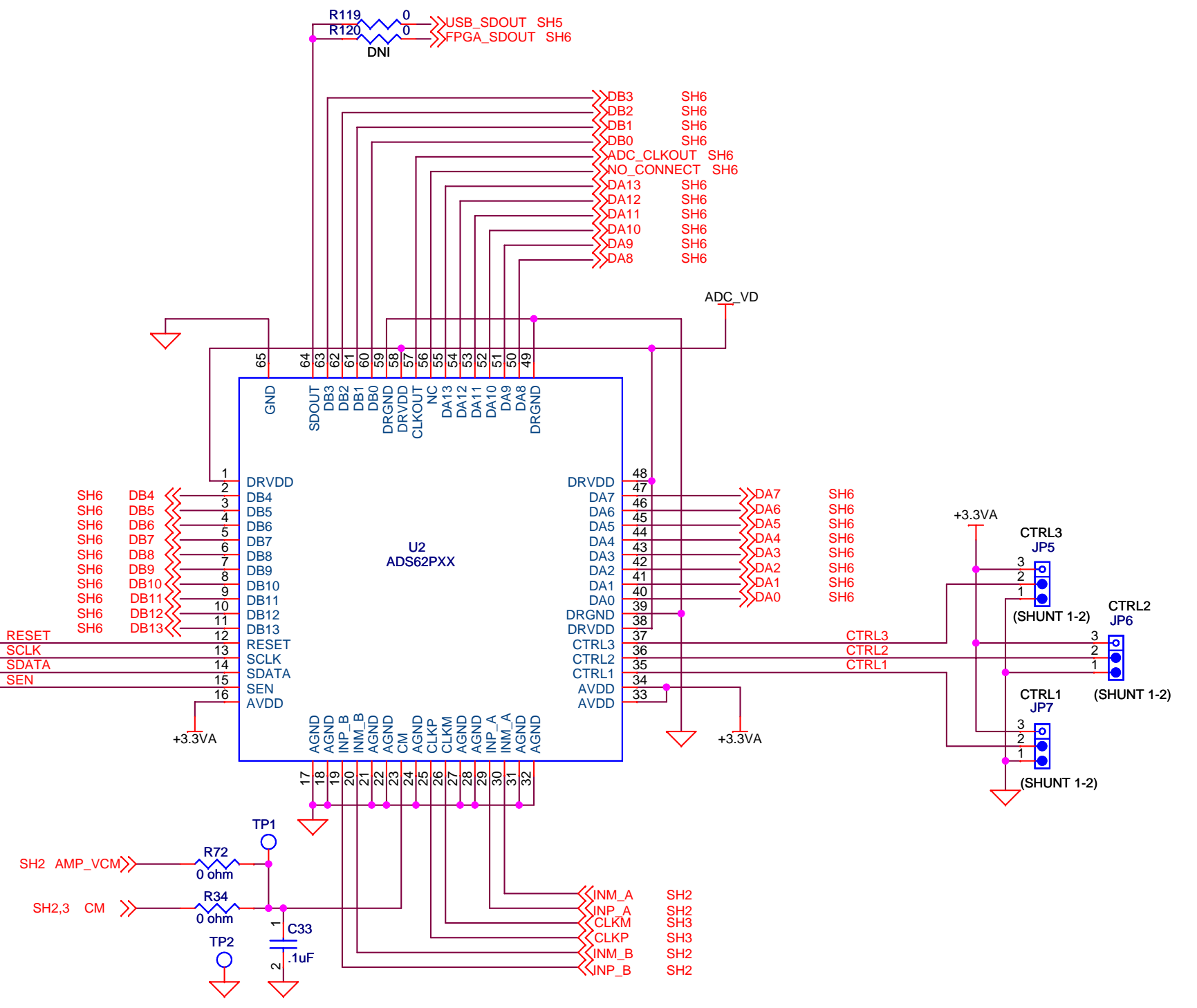
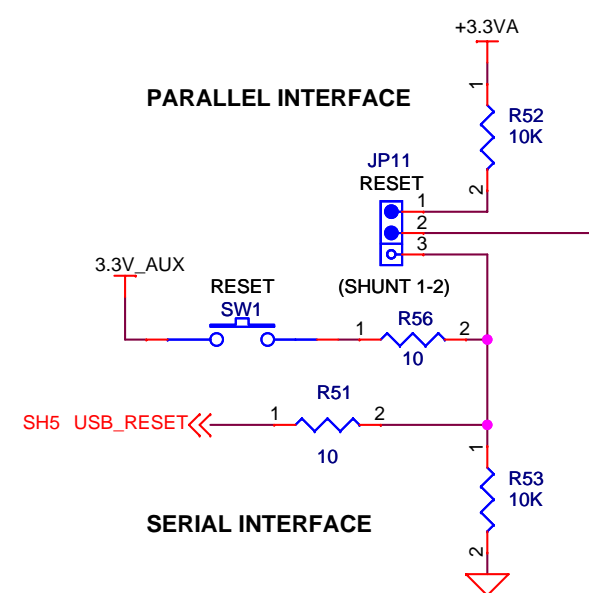
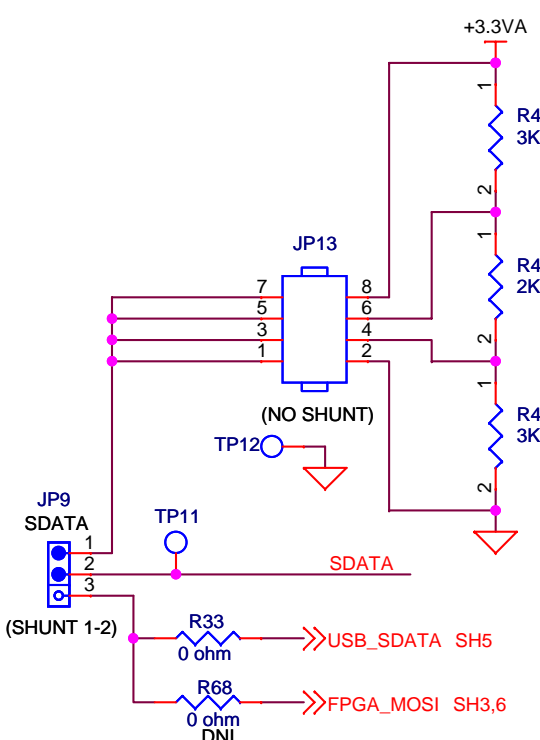
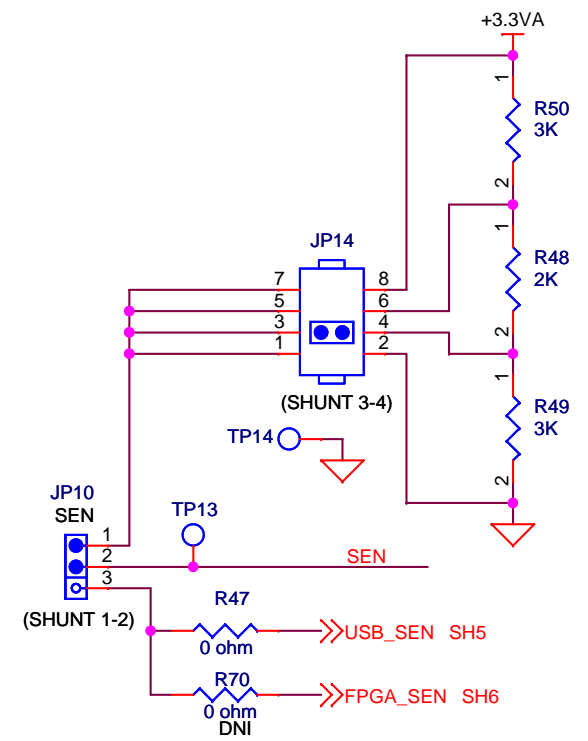
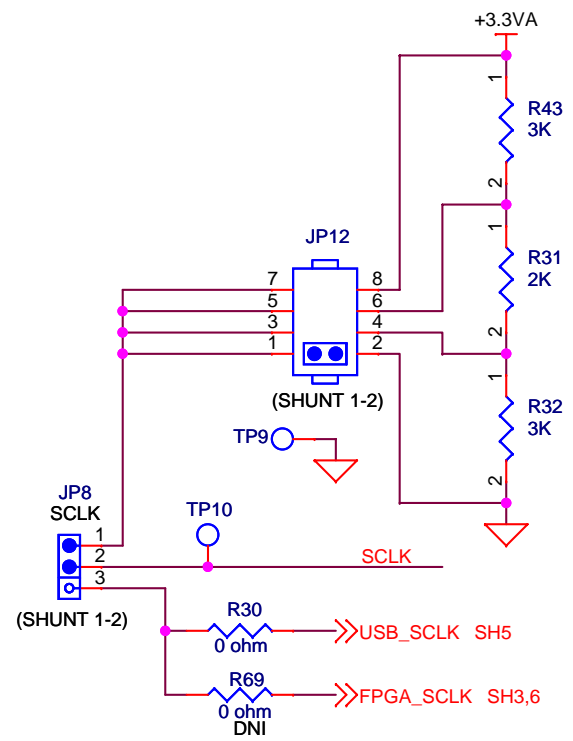


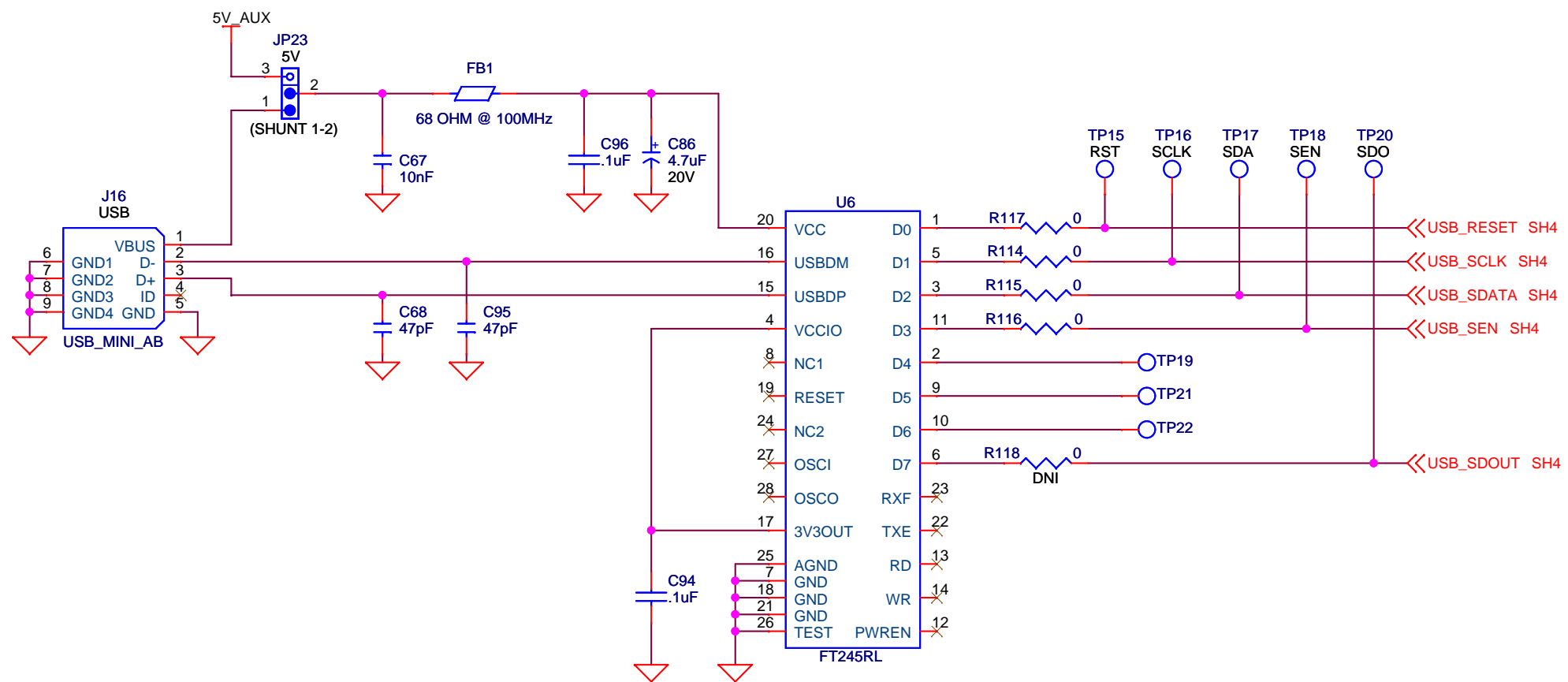
**TEXAS INSTRUMENTS**

Title: **CLOCK INPUT**

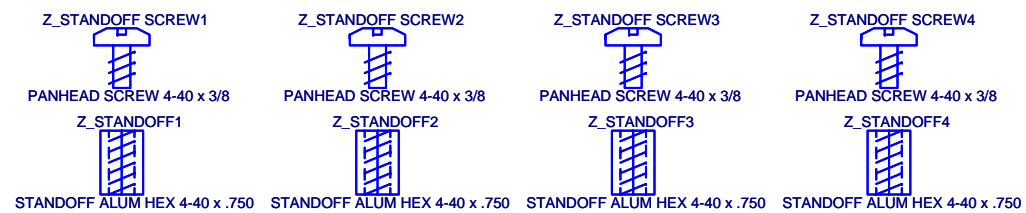
Size: **B** Document Number: **ADS62PXX EVM** Rev: **D**


Date: Tuesday, June 01, 2010 Sheet 3 of 6





**MECHANICAL PARTS**



 <b>TEXAS INSTRUMENTS</b>		
Title <b>USB</b>		
Size <b>B</b>	Document Number <b>ADS62PXX EVM</b>	Rev <b>D</b>
Date: Tuesday, July 20, 2010	Sheet 5	of 6

